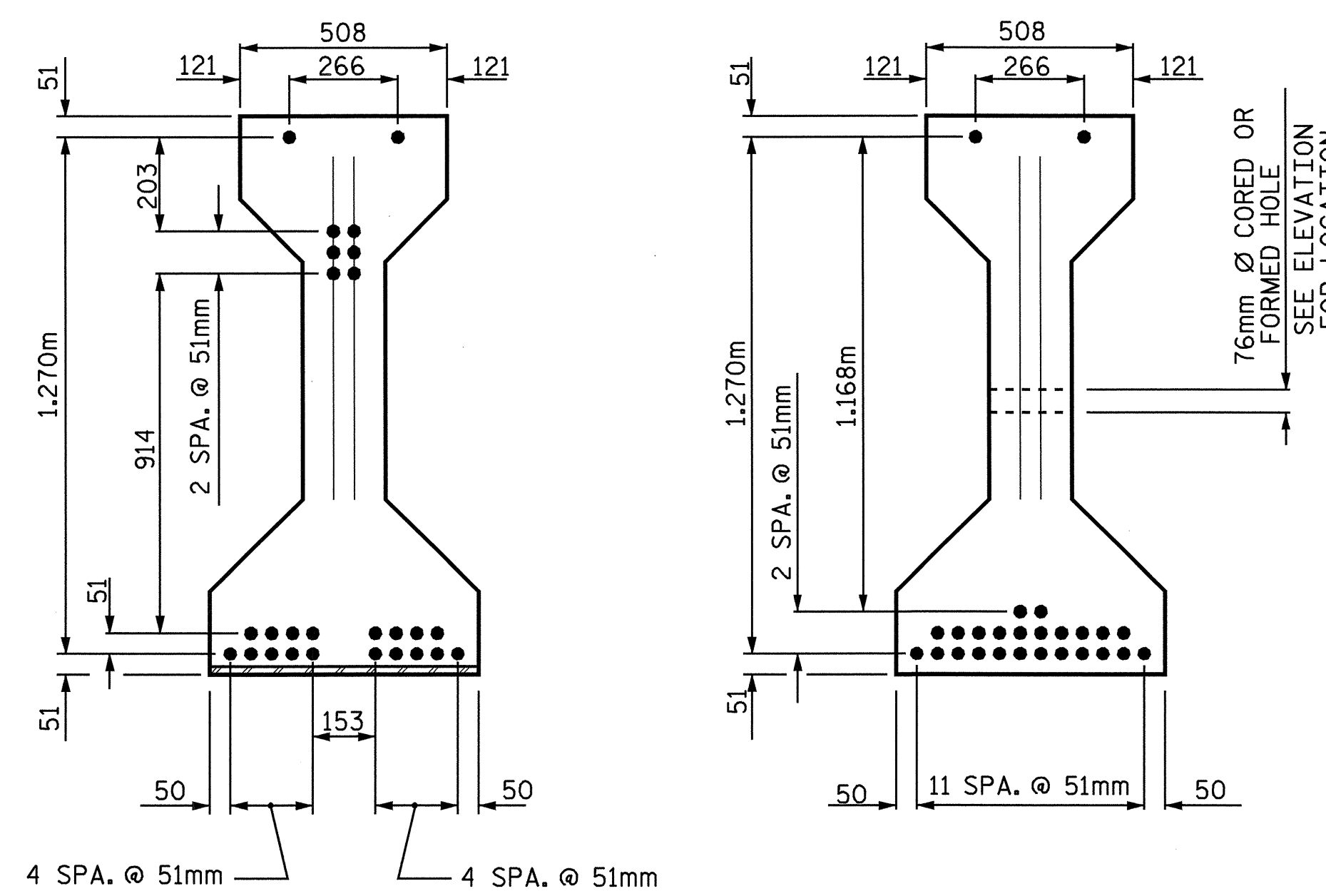
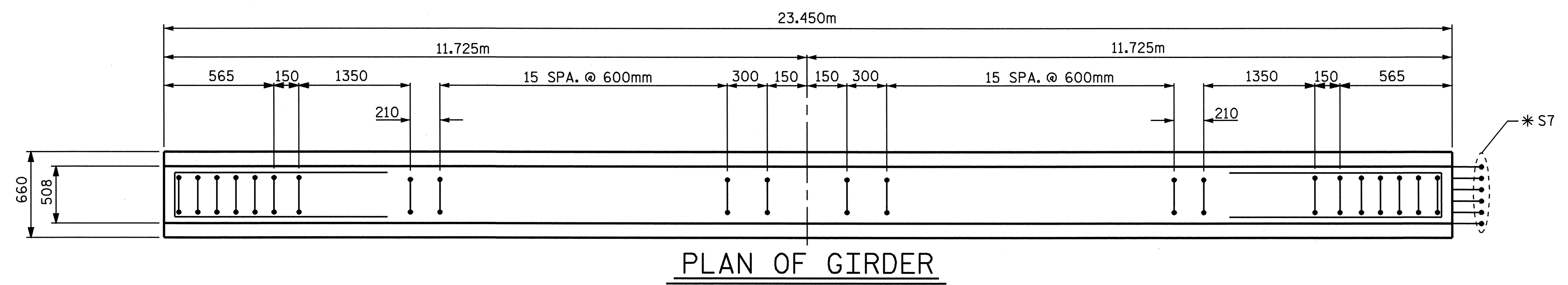


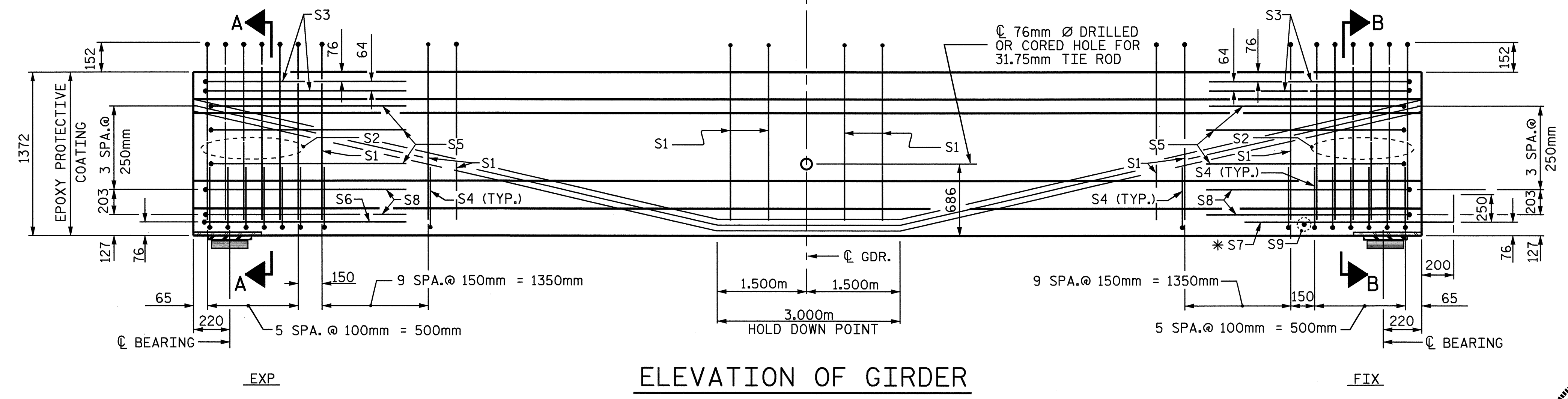
\* FOR S7 BARS, SEE  
DETAIL 'A' OF  
PRESTRESSED  
CONCRETE GIRDER  
CONTINUOUS FOR LIVE  
LOAD DETAILS SHEET



AT END OF GIRDER AT CL OF GIRDER  
12.70mm Ø LOW RELAXATION STRAND LAYOUT



PLAN OF GIRDER



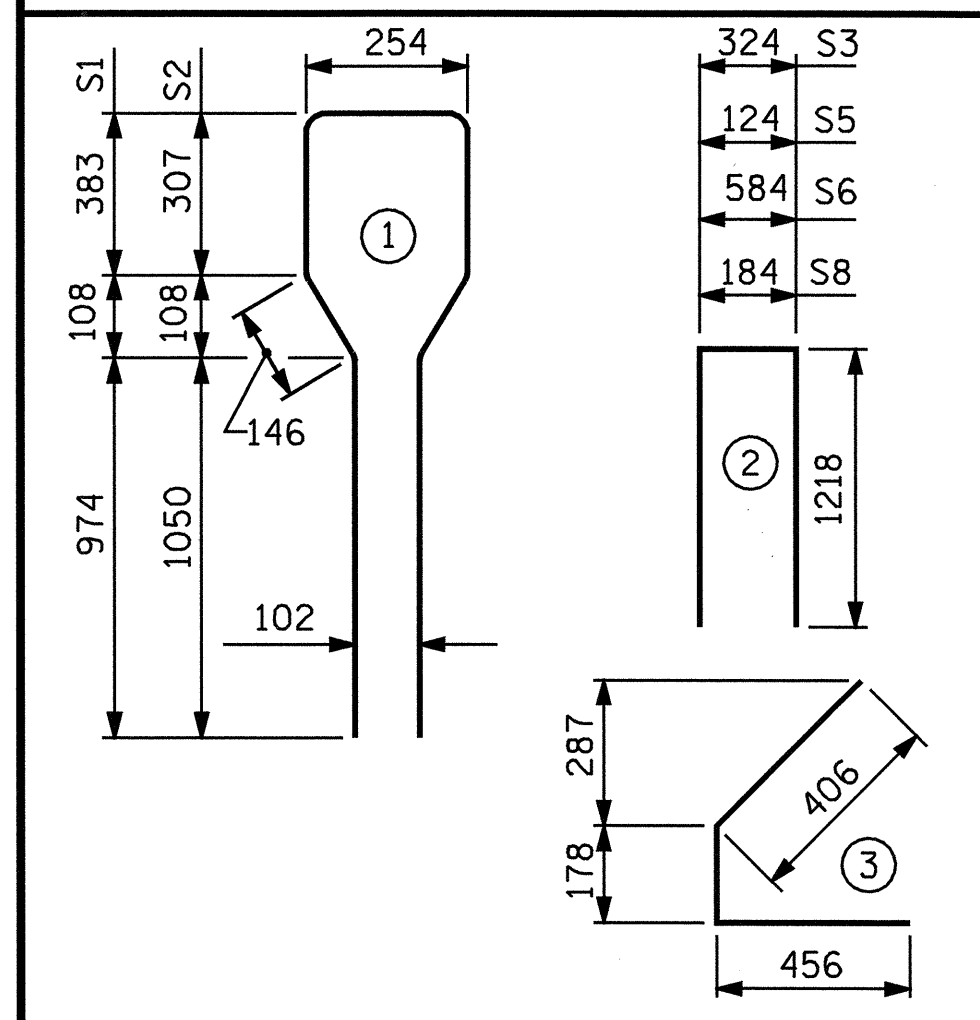
ELEVATION OF GIRDER

12.70mm Ø L. R. GRADE 270 STRANDS		
AREA (mm <sup>2</sup> )	ULTIMATE STRENGTH (KN PER STRAND)	APPLIED PRESTRESS (KN PER STRAND)
98.71	183.7	137.8

REINFORCING STEEL FOR ONE GIRDER					
BAR	NUMBER	SIZE	TYPE	LENGTH	WEIGHT
S1	54	#13	1	3260	175
S2	12	#19	1	3260	87
S3	4	#13	2	2760	11
S4	64	#13	3	1040	66
S5	6	#13	2	2560	15
S6	1	#13	2	3020	3
*S7	6	#16	STR	1120	10
S8	4	#13	2	2620	10
S9	1	#10	STR	560	1

\* NOTE: S7 BARS SHALL BE BENT BEFORE SHIPMENT. HEAT BENDING SHALL NOT BE ALLOWED.

BAR TYPES					
ALL BAR DIMENSIONS ARE OUT-TO-OUT					
S1	S2	S3	S4	S5	S6
S7	S8	S9			



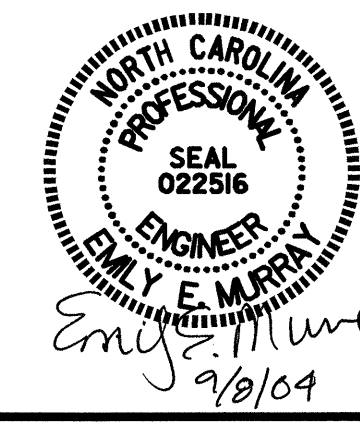
QUANTITIES FOR ONE GIRDER			
	REINFORCING STEEL	34.47 MPa CONCRETE	12.70mm Ø L.R. STRANDS
	Kg	m <sup>3</sup>	No.
	378	11.936	26

GIRDERS REQUIRED		
NUMBER	LENGTH	TOTAL LENGTH
10	23.450m	234.500m

PROJECT NO. R-2206C  
LINCOLN-CATAWBA COUNTY  
STATION: 199+48.000-L-

SHEET 1 OF 3

STATE OF NORTH CAROLINA  
DEPARTMENT OF TRANSPORTATION  
RALEIGH  
STANDARD  
AASHTO TYPE IV  
PRESTRESSED CONCRETE GIRDER  
CONTINUOUS FOR LIVE LOAD  
SPANS A & C  
LEFT LANE



ASSEMBLED BY : M.D.PISO	DATE : 9/03
CHECKED BY : M.M.PARSONS	DATE : 9/03
DRAWN BY : ELR 8/91	REV. 5/16/97 EEM/RGW
CHECKED BY : GRP 8/91	REV. 7/17/98 RWW/LES
	REV. 10/17/00 RWW/LES

REVISIONS						SHEET NO.
NO.	BY:	DATE:	NO.	BY:	DATE:	S-42
1			3			TOTAL SHEETS 374
2			4			