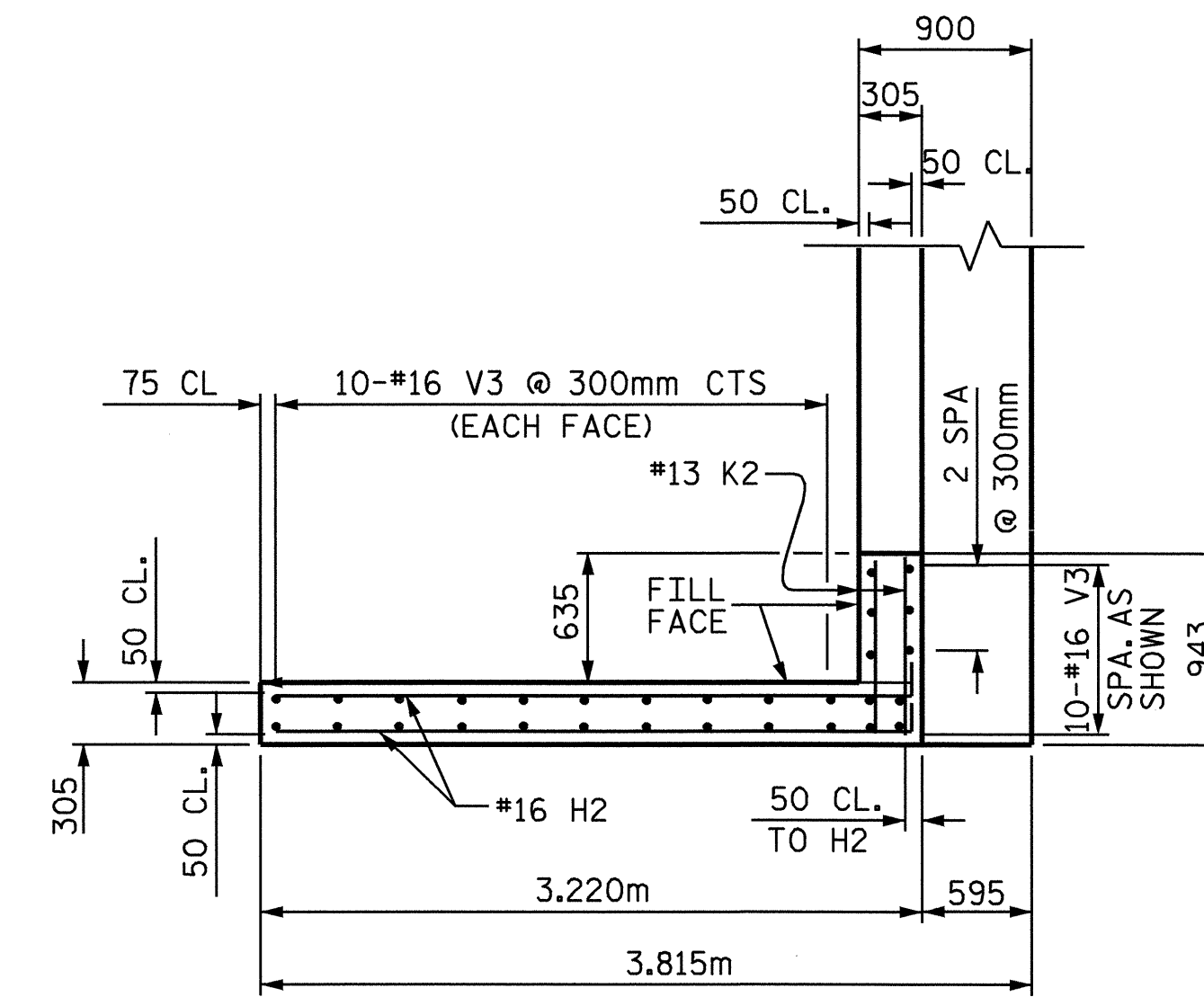
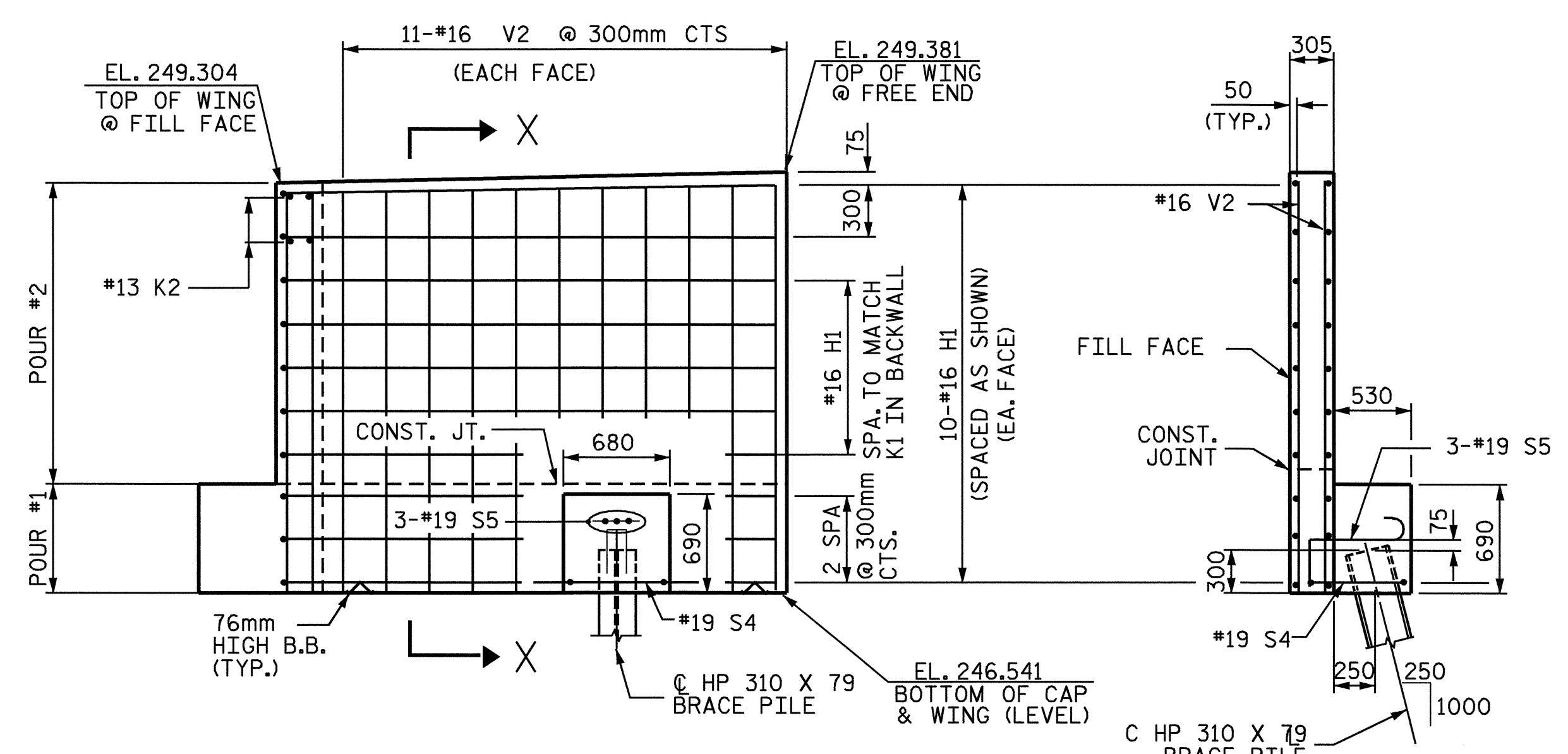


PLAN OF LEFT WING (W1)

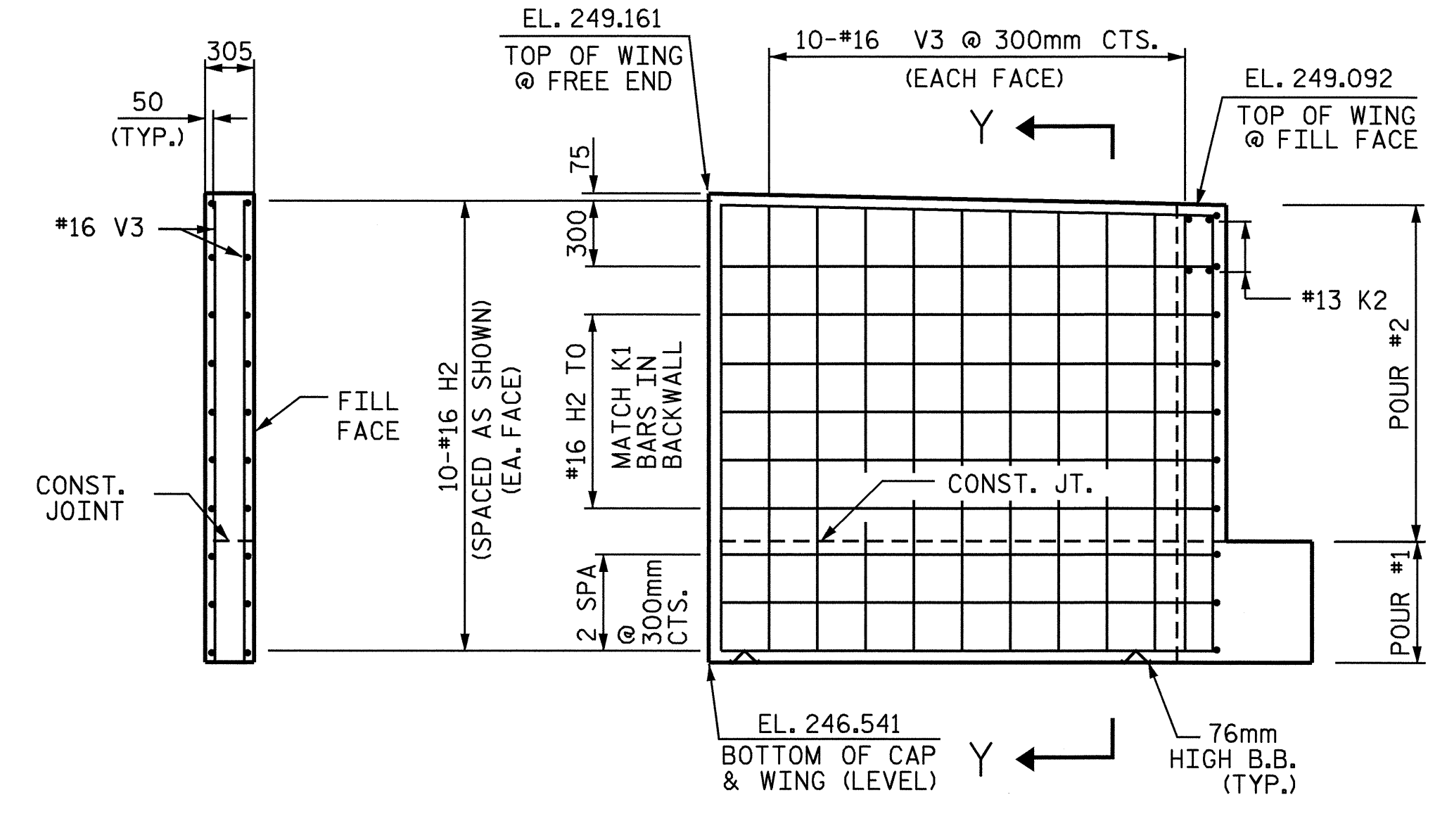


PLAN OF RIGHT WING (W2)



ELEVATION OF LEFT WING (W1)

SECTION X-X



SECTION Y-Y

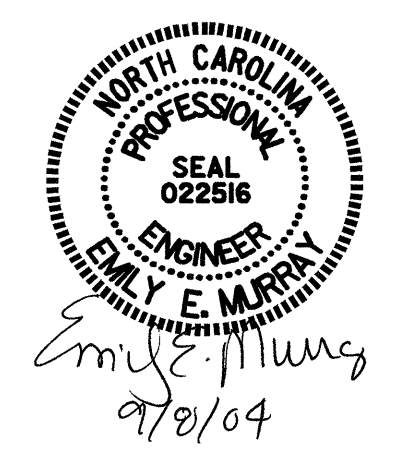
ELEVATION OF RIGHT WING (W2)

PROJECT NO. R-2206C
 LINCOLN-CATAWBA COUNTY
 STATION: 199+48.000 -L-

SHEET 2 OF 3

STATE OF NORTH CAROLINA
 DEPARTMENT OF TRANSPORTATION
 RALEIGH

SUBSTRUCTURE
 END BENT #1
 LEFT LANE



REVISIONS						SHEET NO.	
NO.	BY:	DATE:	NO.	BY:	DATE:	TOTAL SHEETS	
1			3			374	
2			4				

DRAWN BY: L. GILCHRIST/C. MILLER DATE: 03-04/06-04
 CHECKED BY: P. ADKINS DATE: 06-04

07-SEP-2004 13:45
 W:\sq\sq\2206c\Final Plans\Str. 7\N2206C.SD_EL.07.dgn
 emurray

STR. #7