

NOTES

STIRRUPS IN CAP MAY BE SHIFTED AS NECESSARY TO CLEAR ANCHOR BOLTS.

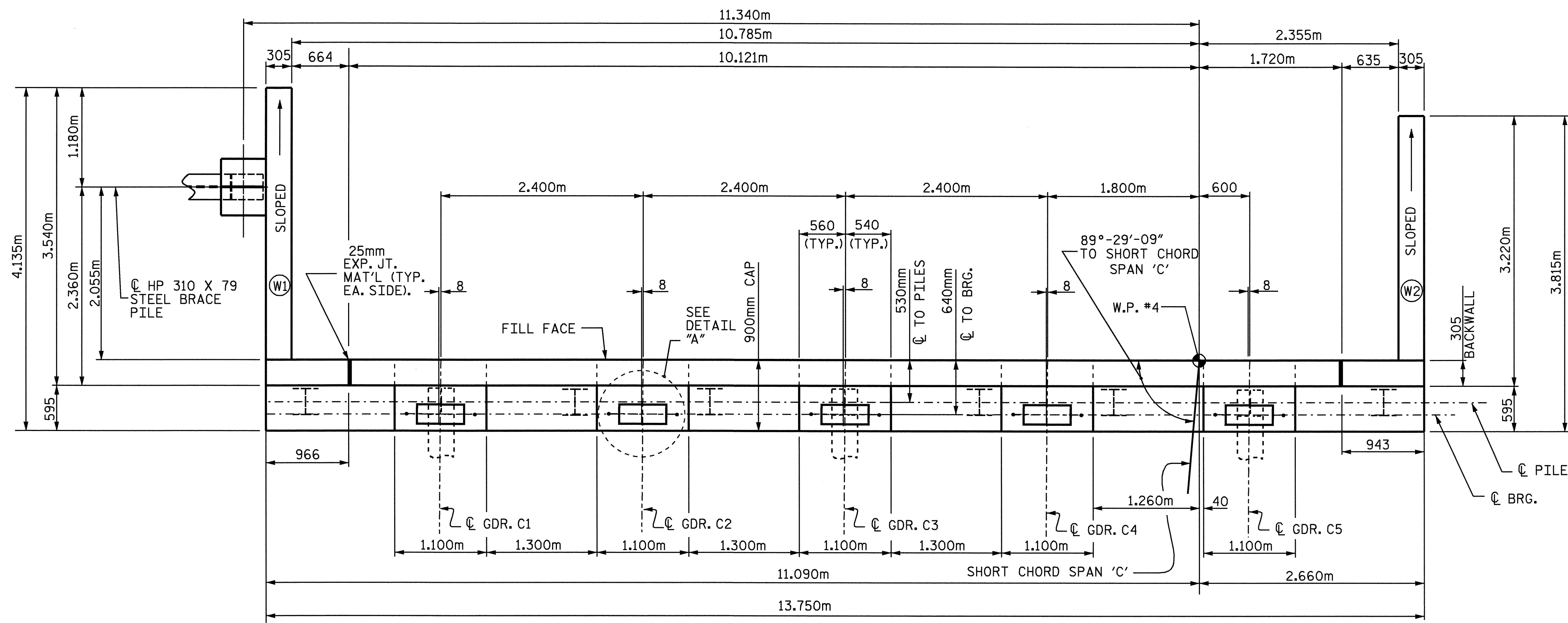
FOR EPOXY PROTECTIVE COATING, SEE SPECIAL PROVISIONS.

THE TOP SURFACE OF THE CAP EXCEPT THE BRIDGE SEAT BUILDUPS SHALL BE SLOPED TRANSVERSELY FROM THE FILL FACE TO THE BACK FACE AT THE RATE OF 2 %.

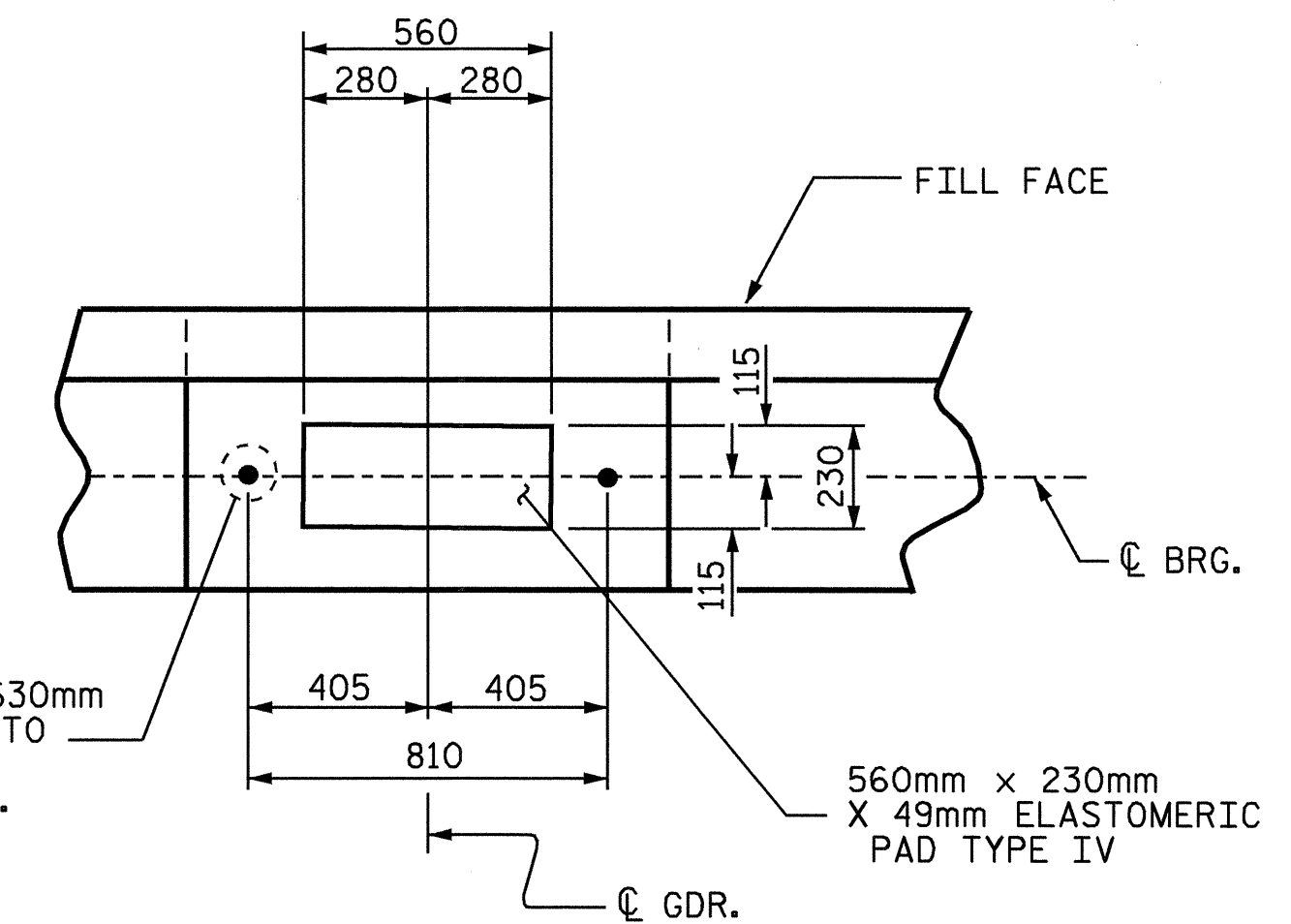
THE CONTRACTOR SHALL PROVIDE FOR INSTALLATION OF THE 102mm DIAMETER DRAIN PIPE THROUGH THE WING WALL AS REQUIRED FOR REINFORCED BRIDGE APPROACH FILLS. SEE THE ROADWAY PLANS. REINFORCING STEEL IN THE WING WALL MAY BE SHIFTED AS NECESSARY TO CLEAR THE DRAIN PIPE.

THE TOP SURFACE AREAS OF THE END BENT CAPS SHALL BE CURED IN ACCORDANCE WITH THE STANDARD SPECIFICATIONS EXCEPT THE MEMBRANE CURING COMPOUND METHOD SHALL NOT BE USED.

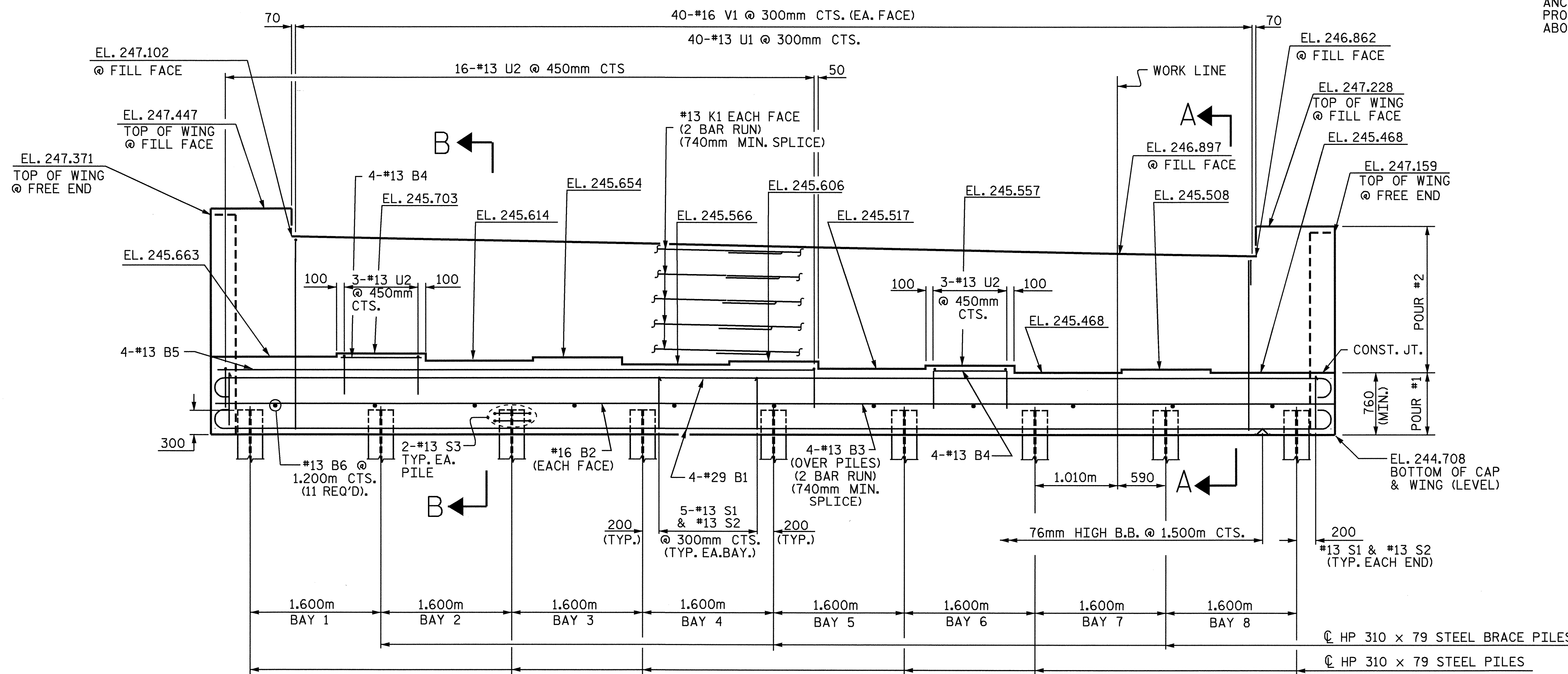
BACKWALL SHALL BE PLACED BEFORE APPLYING THE EPOXY PROTECTIVE COATING.



PLAN



DETAIL "A"
(TYP. EACH GDR.)

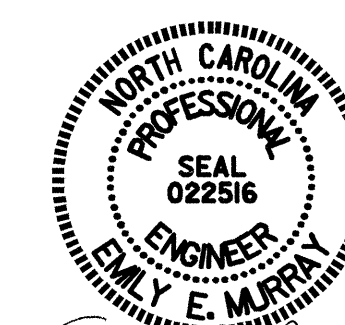


ELEVATION

(WING BRACE PILE NOT SHOWN FOR CLARITY)

PROJECT NO. R-2206C
LINCOLN-CATAWBA COUNTY
STATION: 199+48.000 -L-

SHEET 1 OF 3



Emily E. Murray
02/01/04

STATE OF NORTH CAROLINA
DEPARTMENT OF TRANSPORTATION
RALEIGH

SUBSTRUCTURE
END BENT #2
LEFT LANE

REVISIONS						TOTAL SHEETS
NO.	BY:	DATE:	NO.	BY:	DATE:	
1			3			374
2			4			

DRAWN BY: C. MILLER DATE: 05-04
CHECKED BY: P. ADKINS DATE: 05-04

07-SEP-2004 11:16
W:\squad\2206c\Final Plans\Str. 7\R2206C_SD_E2_07.DGN
emurray