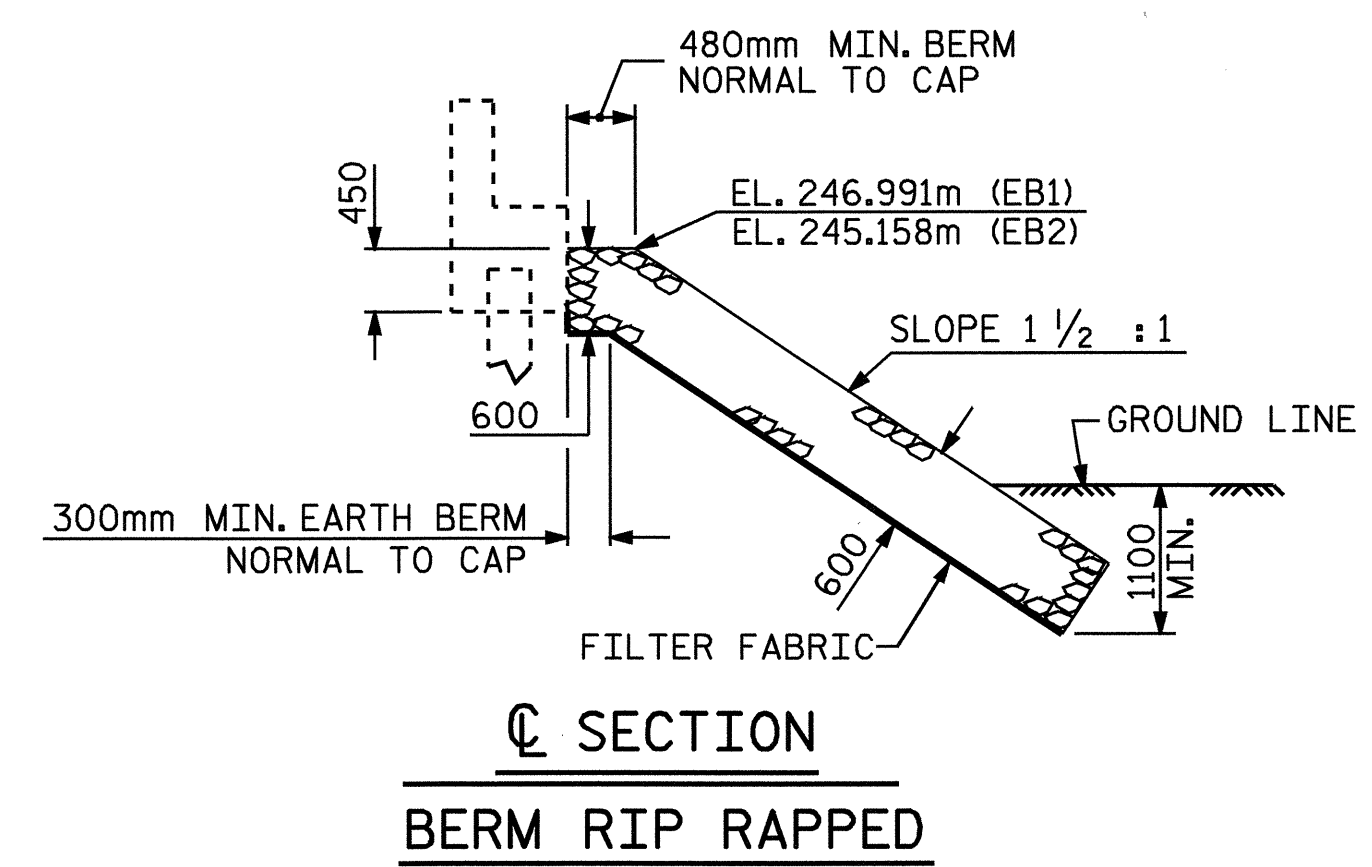


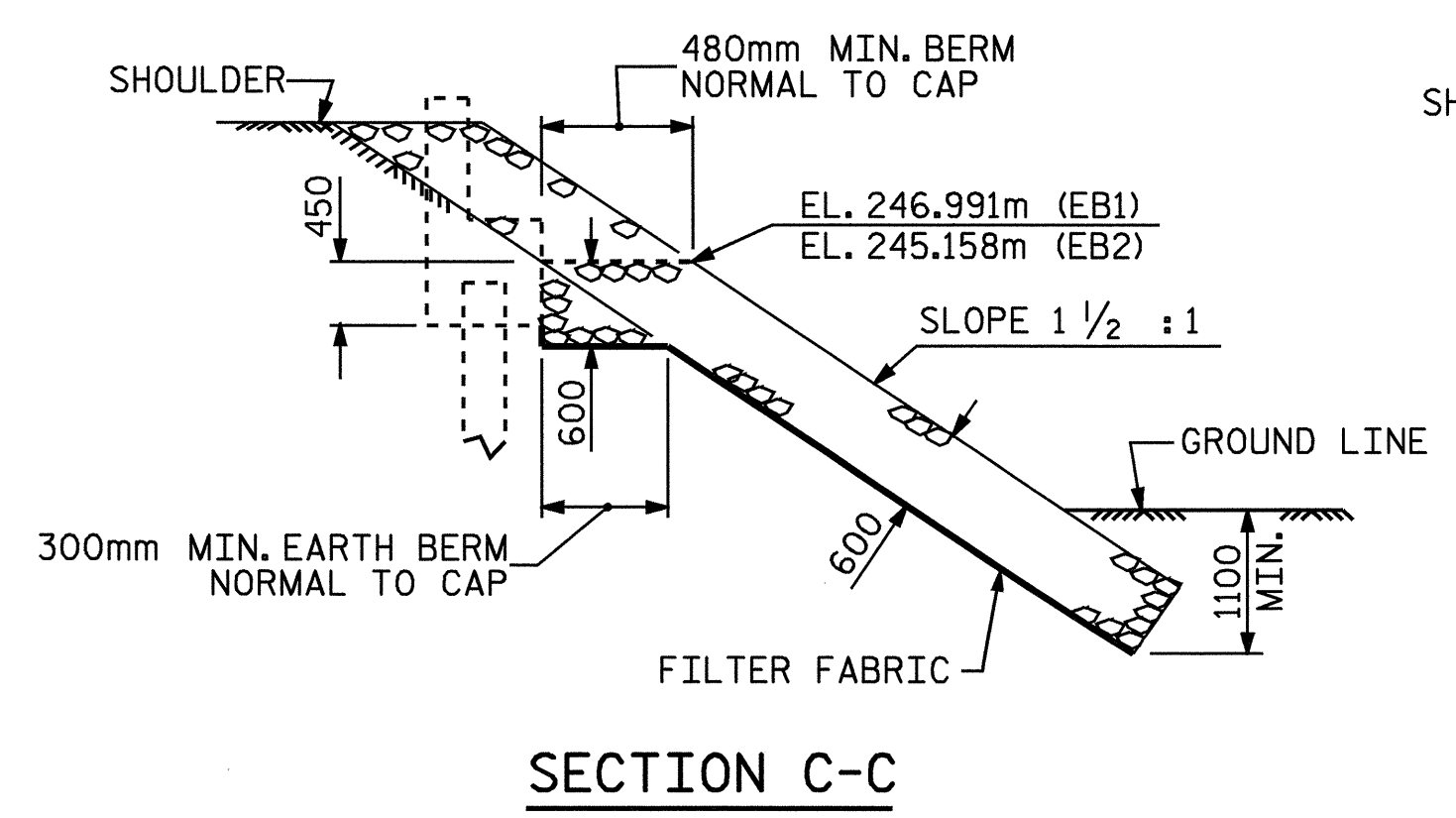
PLAN @ END BENT #1

PLAN @ END BENT #2

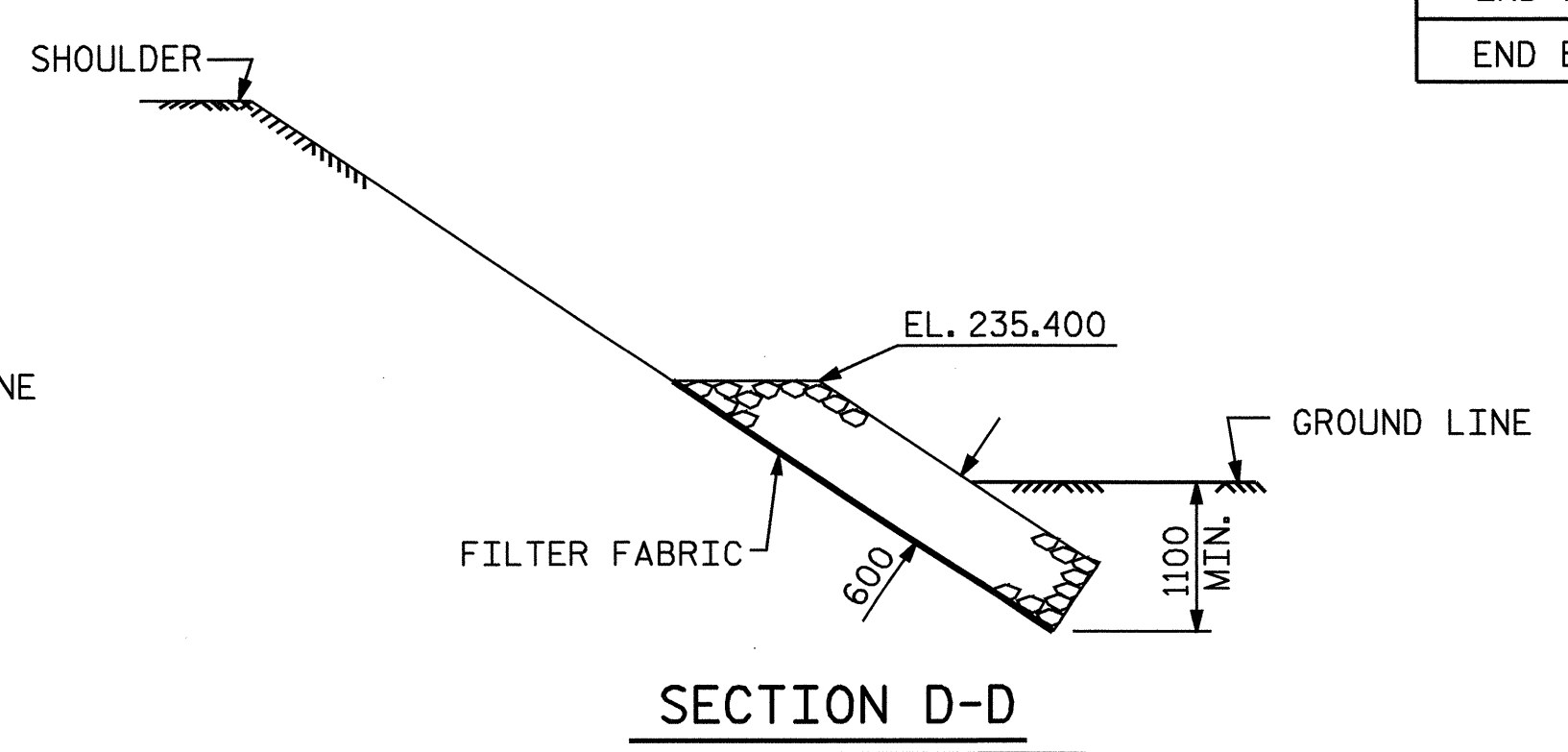
ESTIMATED QUANTITIES		
BRIDGE @ STA. 199+48.000 -L- (LEFT LANE)	PLAIN RIP RAP CLASS II	FILTER FABRIC FOR DRAINAGE
	METRIC TONS	SQ. METERS
END BENT 1	613	625
END BENT 2	916	935



SECTION C-C  
BERM RIP RAPPED



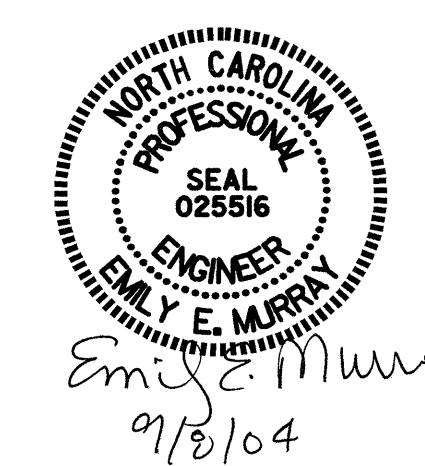
SECTION C-C



SECTION D-D

PROJECT NO. R-2206C  
LINCOLN-CATAWBA COUNTY  
STATION: 199+48.000 -L-

STATE OF NORTH CAROLINA  
DEPARTMENT OF TRANSPORTATION  
RALEIGH  
STANDARD  
RIP RAP DETAILS  
LEFT LANE



ASSEMBLED BY: MS / WDC	DATE: 6-8-04
CHECKED BY: P. ADKINS	DATE: 6-04
DRAWN BY: FCJ 2/88	REV. 7/17/98 REK/RWW
CHECKED BY: ARB 8/88	REV. 8/16/99 RWW/LES
	REV. 10/17/00 RWW/LES

REVISIONS					SHEET NO.
NO.	BY:	DATE:	NO.	BY:	DATE:
1			3		
2			4		

TOTAL SHEETS: 374