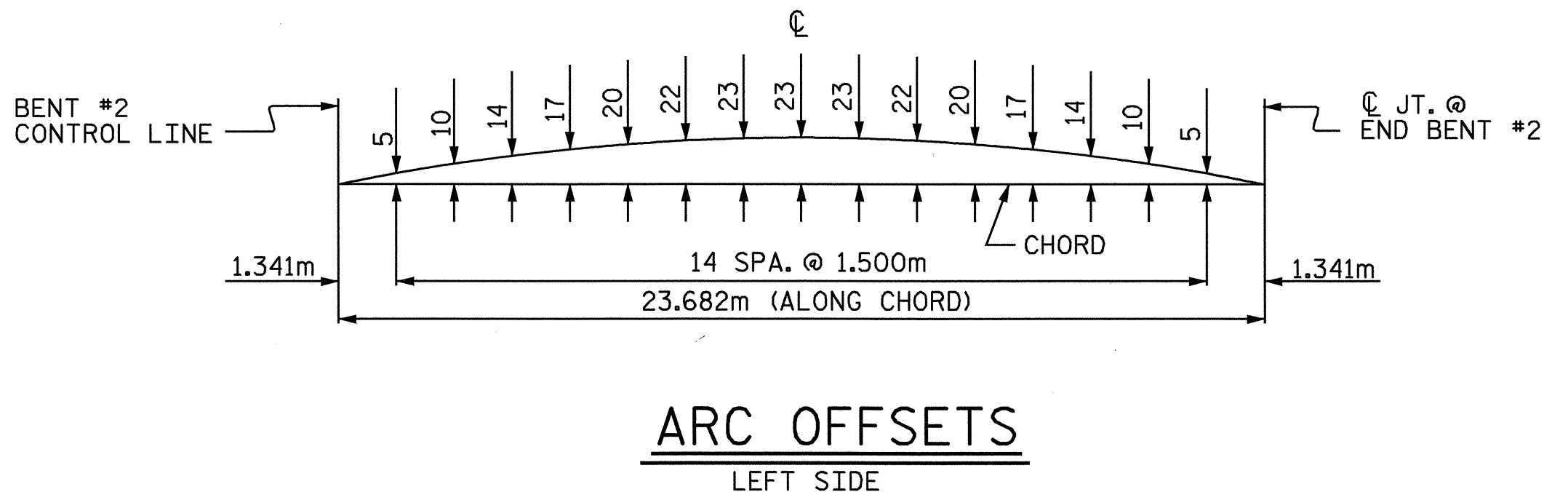
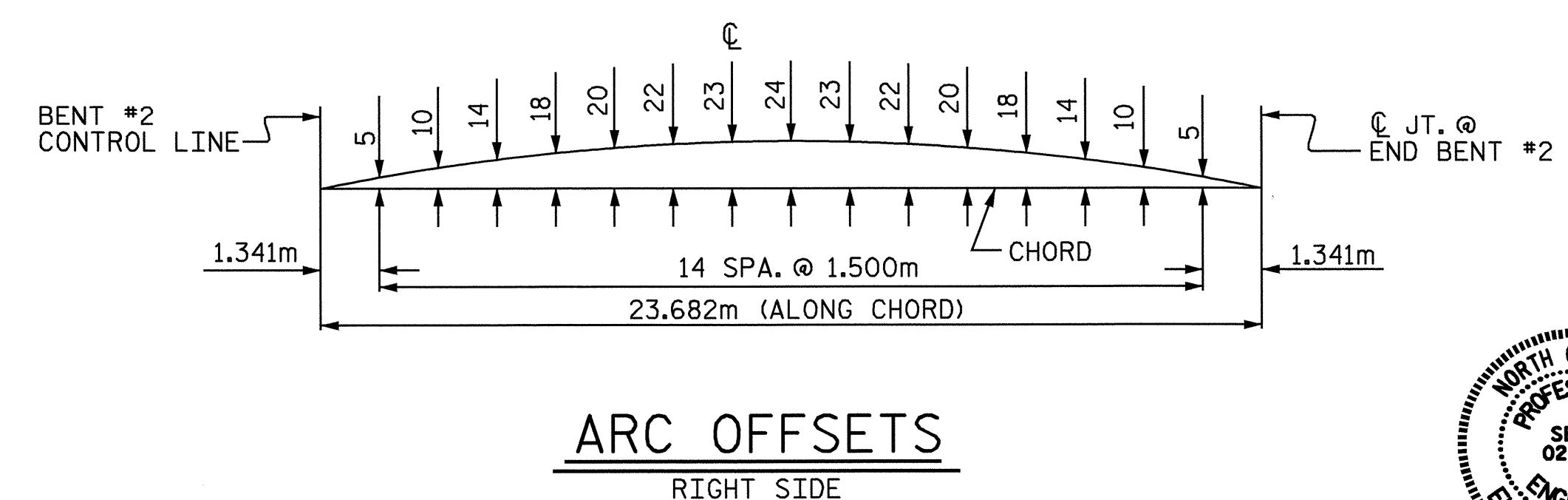


PLAN OF SPAN "C"
* RADIAL DIMENSION



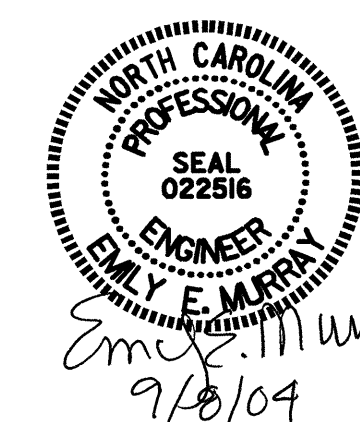
ARC OFFSETS
LEFT SIDE



ARC OFFSETS
RIGHT SIDE

PROJECT NO. R-2206C
LINCOLN-CATAWBA COUNTY
STATION: 199+48.000-L-
SHEET 3 OF 3

STATE OF NORTH CAROLINA
DEPARTMENT OF TRANSPORTATION
RALEIGH
SUPERSTRUCTURE
PLAN OF SPAN "C"
RIGHT LANE



REVISIONS						SHEET NO.
NO.	BY:	DATE:	NO.	BY:	DATE:	5-75
1			3			TOTAL SHEETS
2			4			374

DRAWN BY: M.D.PISO DATE: 9/03
CHECKED BY: M.M.PARSONS DATE: 9/03