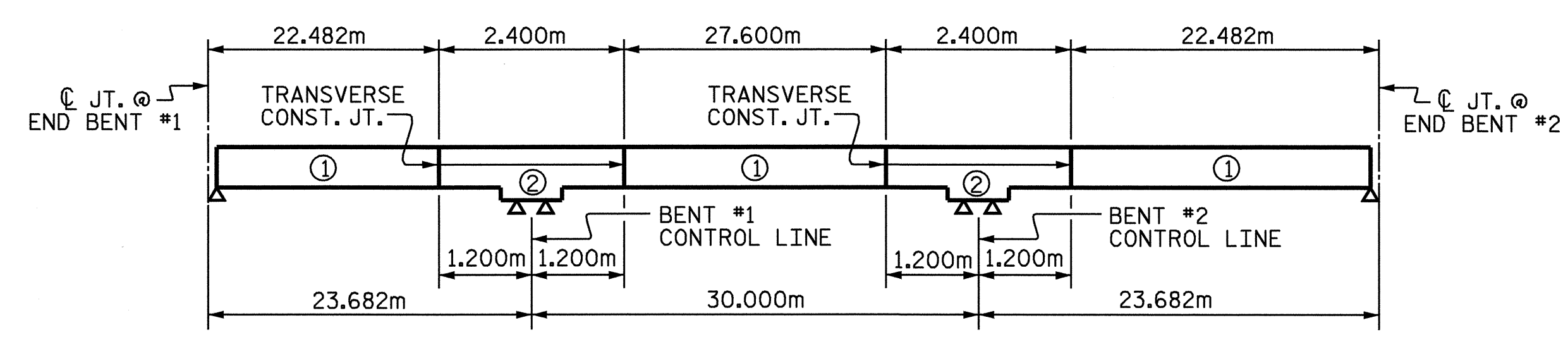
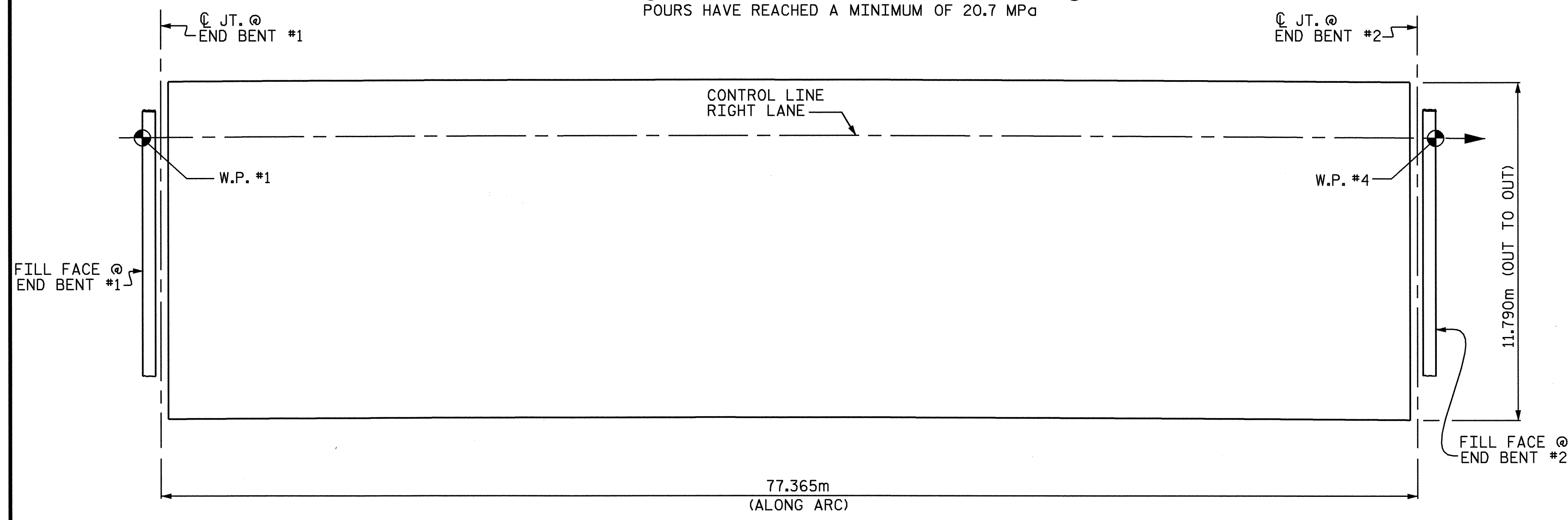


POURING SEQUENCE

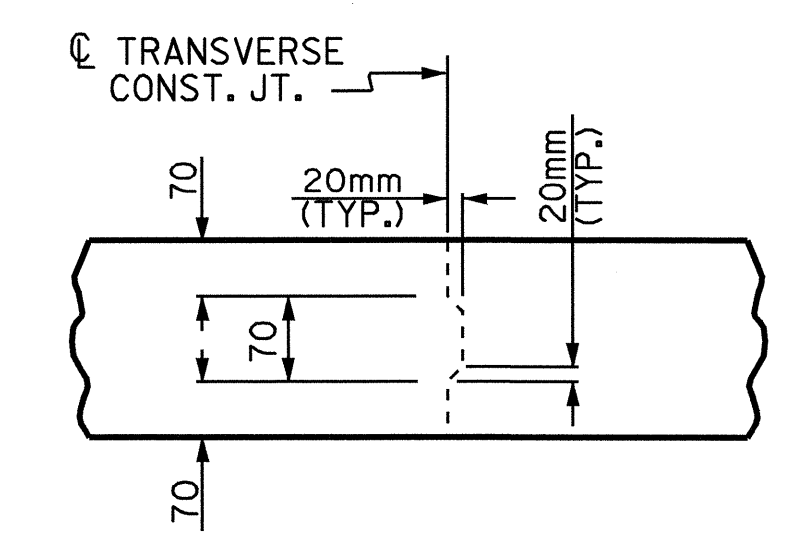


OPTIONAL POURING SEQUENCE

POUR ② CAN NOT BE STARTED UNTIL BOTH ADJACENT ① POURS HAVE REACHED A MINIMUM OF 20.7 MPa



LAYOUT FOR COMPUTING AREA OF REINFORCED CONCRETE DECK SLAB (SQ. METER = 912.1)



TRANSVERSE CONSTRUCTION JOINT DETAIL

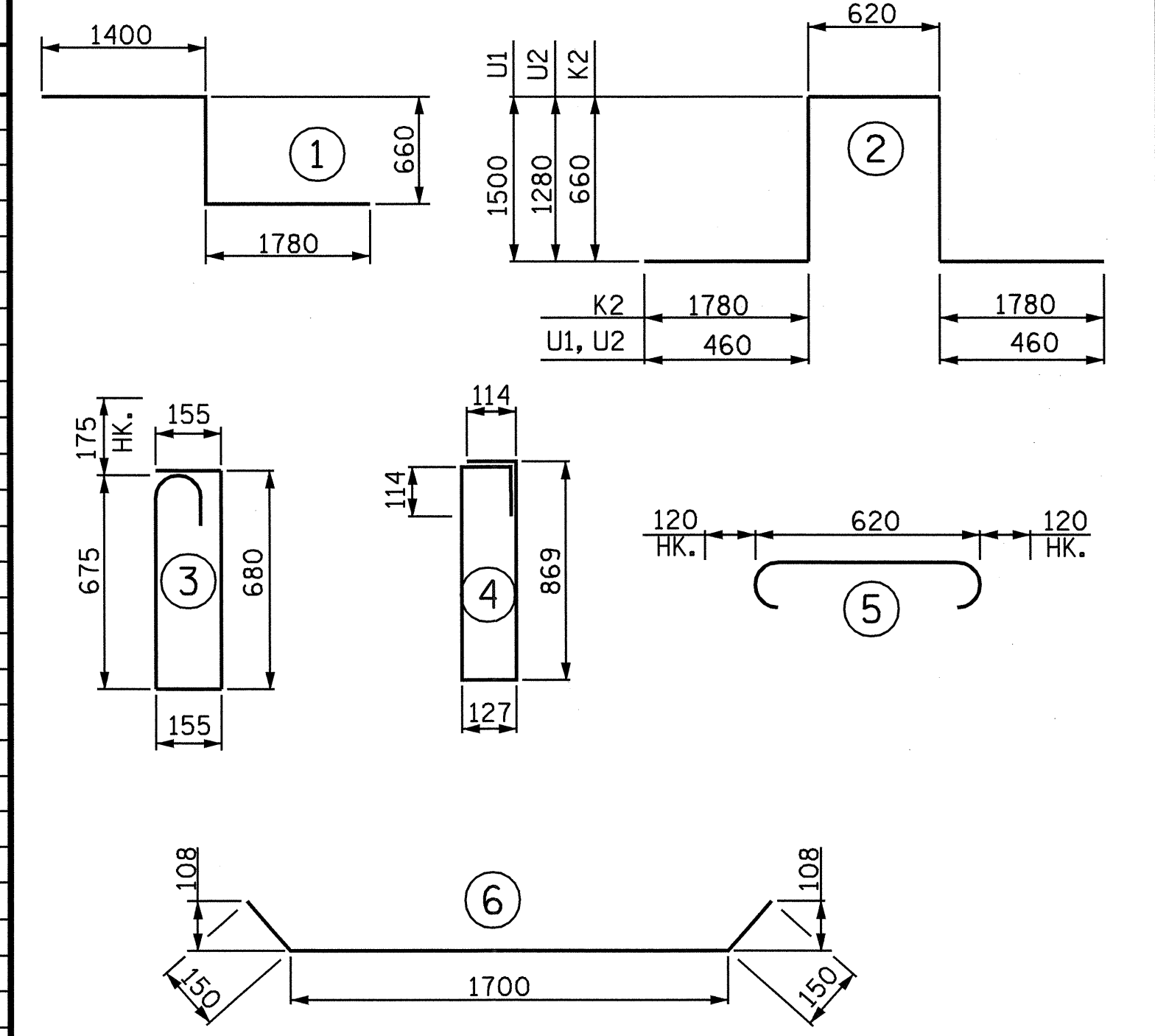
REINFORCING STEEL IN SLAB NOT SHOWN. LONGITUDINAL REINFORCING STEEL SHALL BE CONTINUOUS THROUGH JOINT

ASSEMBLED BY : M.D.PISO	DATE : 9/03
CHECKED BY : M.M.PARSONS	DATE : 9/03
DRAWN BY : JMB 5/87	REV. 5/16/97 EEM/RGW
CHECKED BY : SJD 9/87	

BILL OF MATERIAL

BAR	NO.	SIZE	TYPE	LENGTH	WEIGHT
*A1	430	16	STR.	11680	7795
A2	430	16	STR.	11680	7795
*B1	112	13	STR.	8020	893
*B2	28	22	STR.	8280	705
*B3	50	22	STR.	9000	1369
*B4	28	22	STR.	13500	1150
*B5	56	13	STR.	6320	352
*B6	28	22	STR.	9080	773
*B7	28	22	STR.	12700	1082
B8	220	16	STR.	15980	5456
*K1	8	25	1	3840	122
*K2	12	25	2	5500	262
K3	24	16	STR.	1800	67
K4	24	16	6	2000	74
K5	16	13	STR.	1280	20
K6	48	13	STR.	2020	96
K7	16	13	STR.	1780	28
K8	20	13	STR.	5160	103
*S1	56	16	3	1840	160
*S2	72	13	4	2220	159
S3	176	13	5	860	150
*U1	32	13	2	4540	144
*U2	16	13	2	4100	65
REINFORCING STEEL				13789	kg
EPOXY COATED REINF. STEEL				15031	kg
GROOVING BRIDGE FLOORS					
APPROACH SLAB	119.0	SQ.METER			
BRIDGE DECK	763.1	SQ.METER			
TOTAL	882.1	SQ.METER			

BAR TYPES



ALL BAR DIMENSIONS ARE OUT TO OUT

SUPERSTRUCTURE BILL OF MATERIAL

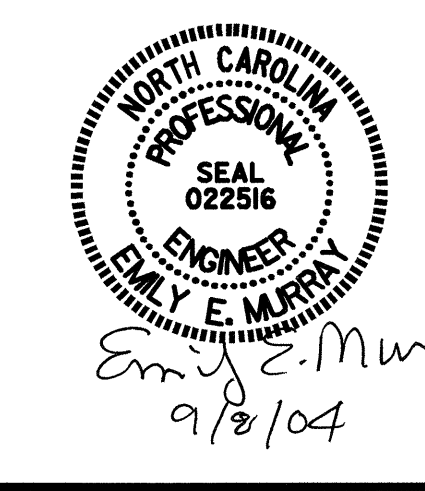
	CLASS AA CONCRETE		REINFORCING STEEL (kg)	EPOXY COATED REINFORCING STEEL (kg)
	(CU. METER)			
SPANS A, B, & C	POUR #1	65.3	13789 kg	15031 kg
	POUR #2	100.2		
	POUR #3	91.21		
TOTALS**		256.7	13789 kg	15031 kg

** QUANTITIES FOR BARRIER RAIL ARE NOT INCLUDED

SUPERSTRUCTURE REINFORCING STEEL LENGTHS ARE BASED ON THE FOLLOWING MINIMUM SPLICE LENGTHS

BAR SIZE	SUPERSTRUCTURE EXCEPT APPROACH SLABS, PARAPET, AND BARRIER RAIL		APPROACH SLABS		PARAPET AND BARRIER RAIL
	EPOXY COATED	UNCOATED	EPOXY COATED	UNCOATED	
#13	610	540	610	540	840
#16	770	660	770	660	1050
#19	920	790	1190	790	1330
#22	1580	1060			
#25	2080	1390			

PROJECT NO. R-2206C
LINCOLN-CATAWBA COUNTY
STATION: 199+48.000-L-



STATE OF NORTH CAROLINA
DEPARTMENT OF TRANSPORTATION
RALEIGH
SUPERSTRUCTURE
BILL OF MATERIAL
RIGHT LANE

REVISIONS						SHEET NO. 5-83
NO.	BY:	DATE:	NO.	BY:	DATE:	
1			3			TOTAL SHEETS 374
2			4			