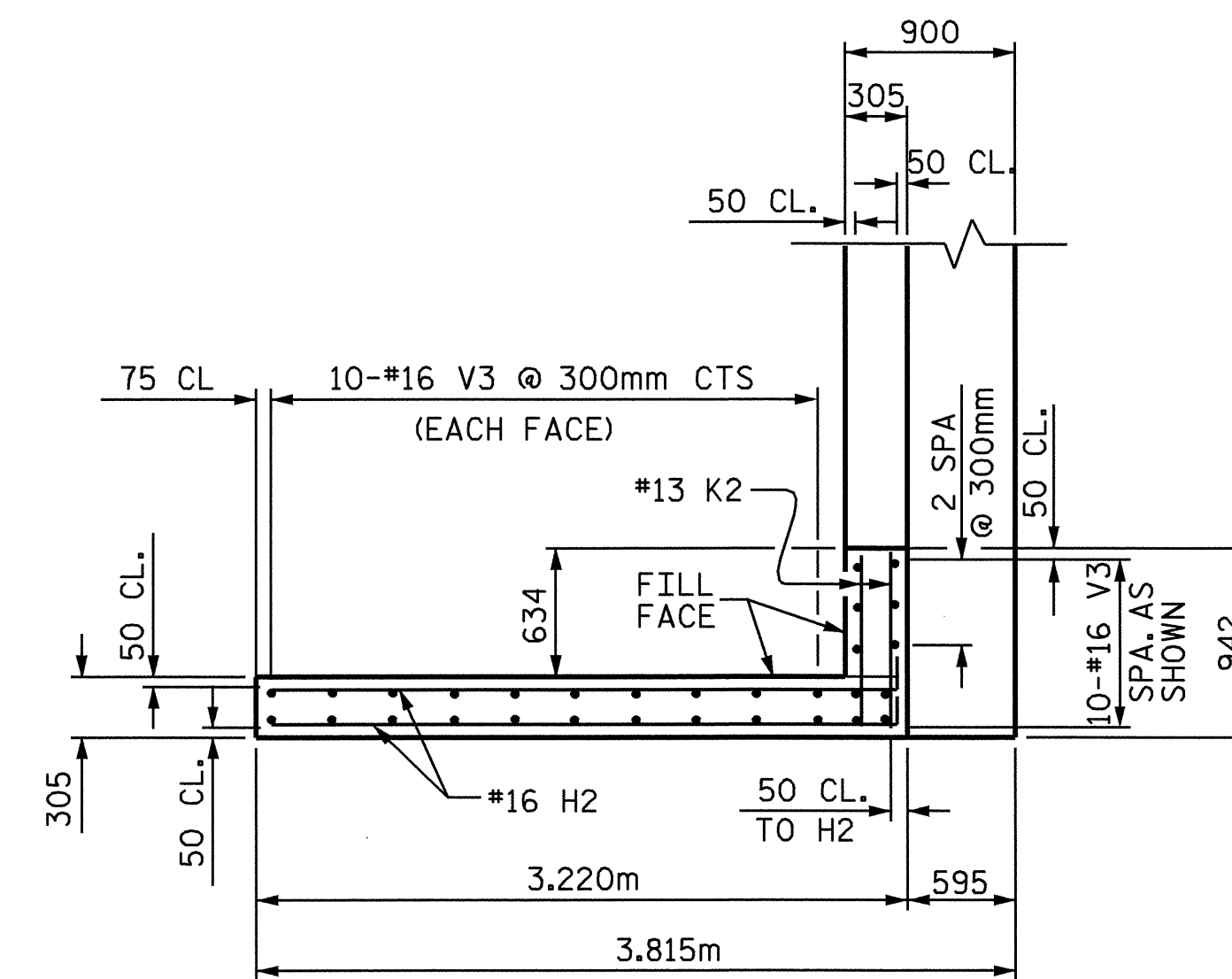
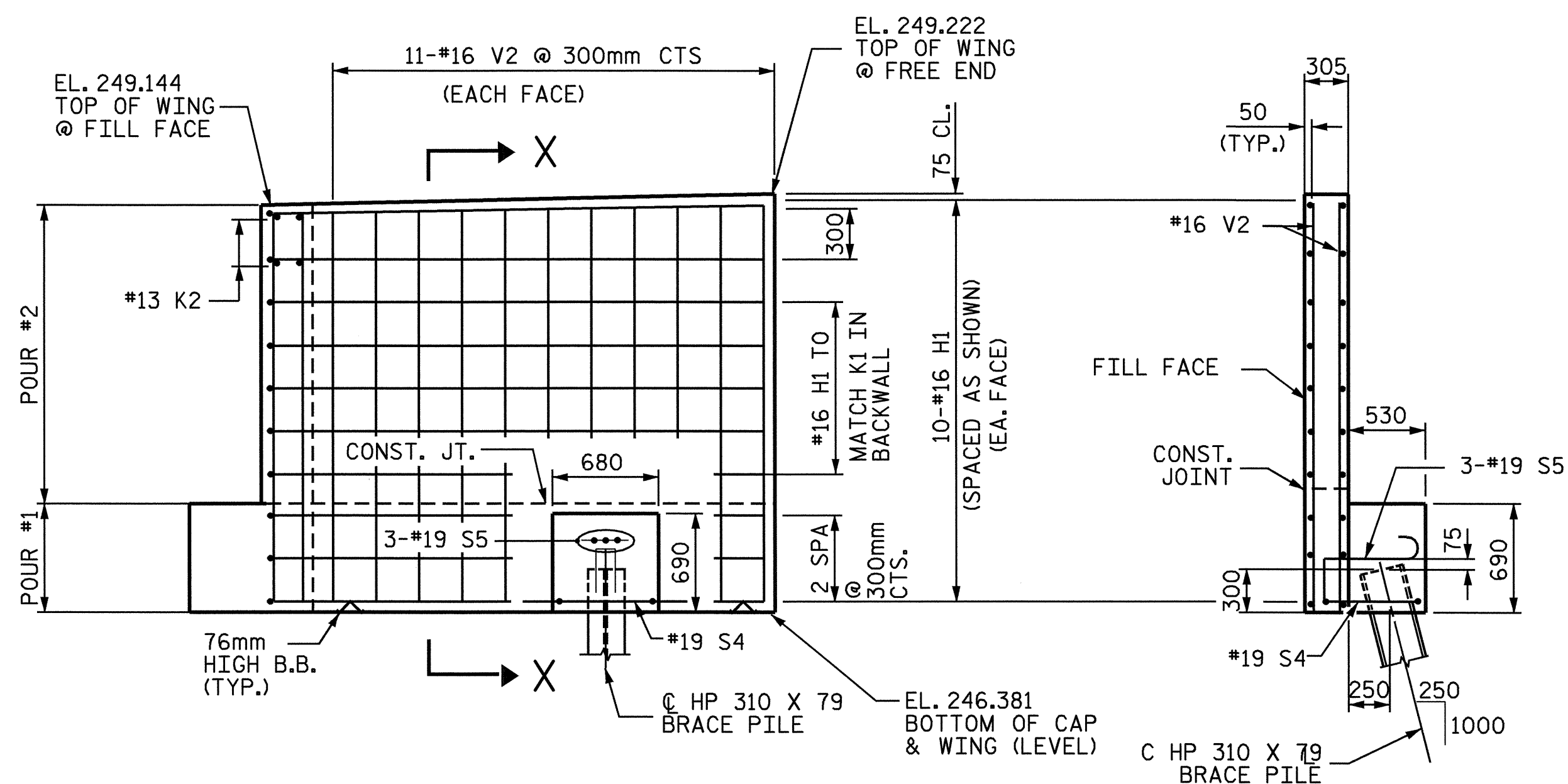


PLAN OF LEFT WING (W1)

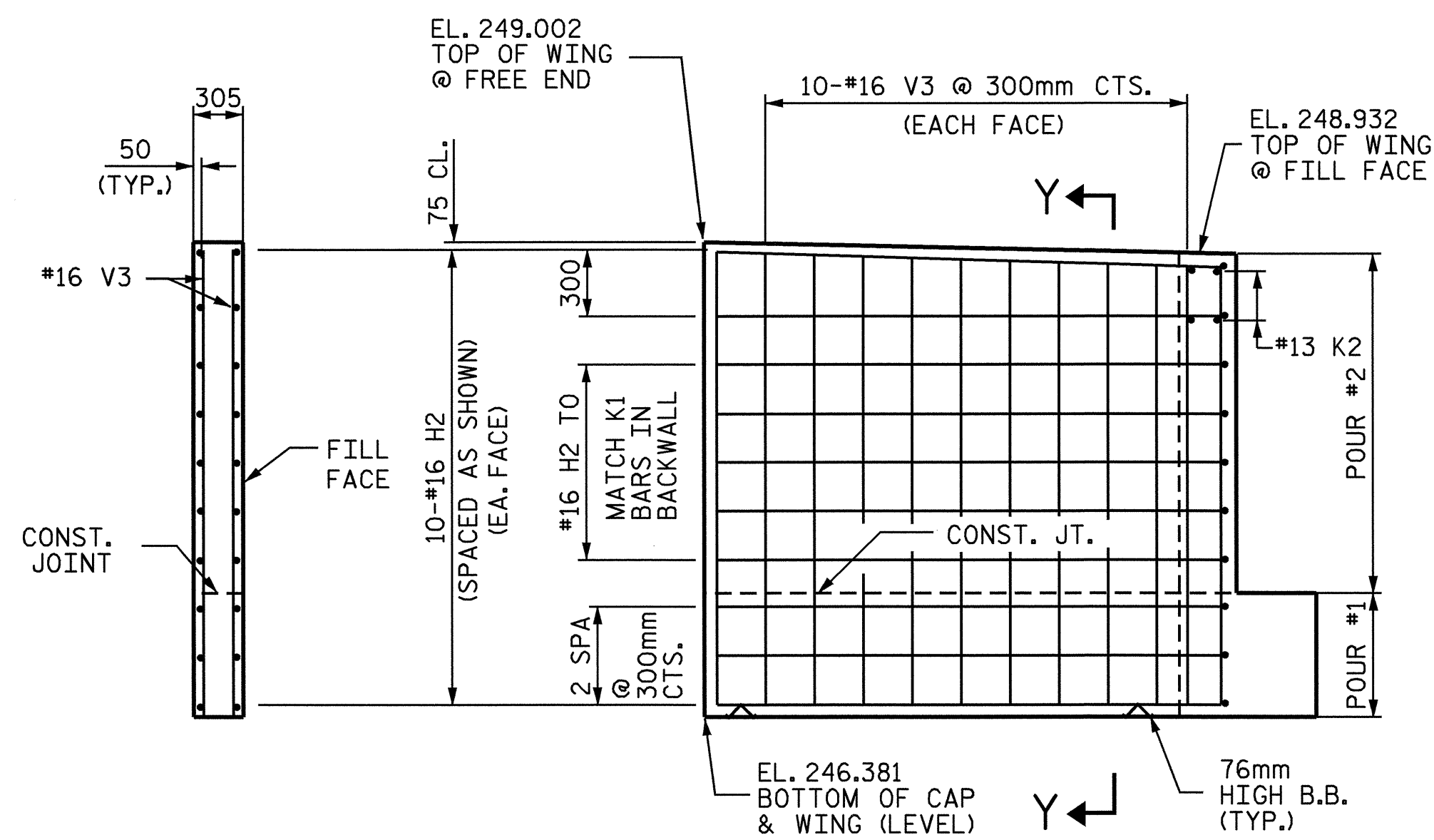


PLAN OF RIGHT WING (W2)



ELEVATION OF LEFT WING (W1)

SECTION X-X



SECTION Y-Y

ELEVATION OF RIGHT WING (W2)

PROJECT NO. R-2206C
 LINCOLN-CATAWBA COUNTY
 STATION: 199+48.000 -L-

SHEET 2 OF 3

STATE OF NORTH CAROLINA
 DEPARTMENT OF TRANSPORTATION
 RALEIGH

SUBSTRUCTURE
 END BENT #1
 RIGHT LANE



Emily E. Murray
 9/18/04

DRAWN BY: L. GILCHRIST/ C. MILLER DATE: 3-04/06-04
 CHECKED BY: P. ADKINS DATE: 06-04

07-SEP-2004 13:49
 W:\equad\2206c\Final Plans\Str. 8\R2206C.SD.El.08.DGN
 emurray

REVISIONS					SHEET NO.
NO.	BY:	DATE:	NO.	BY:	DATE:
1			3		
2			4		

TOTAL SHEETS: 374

STR #8