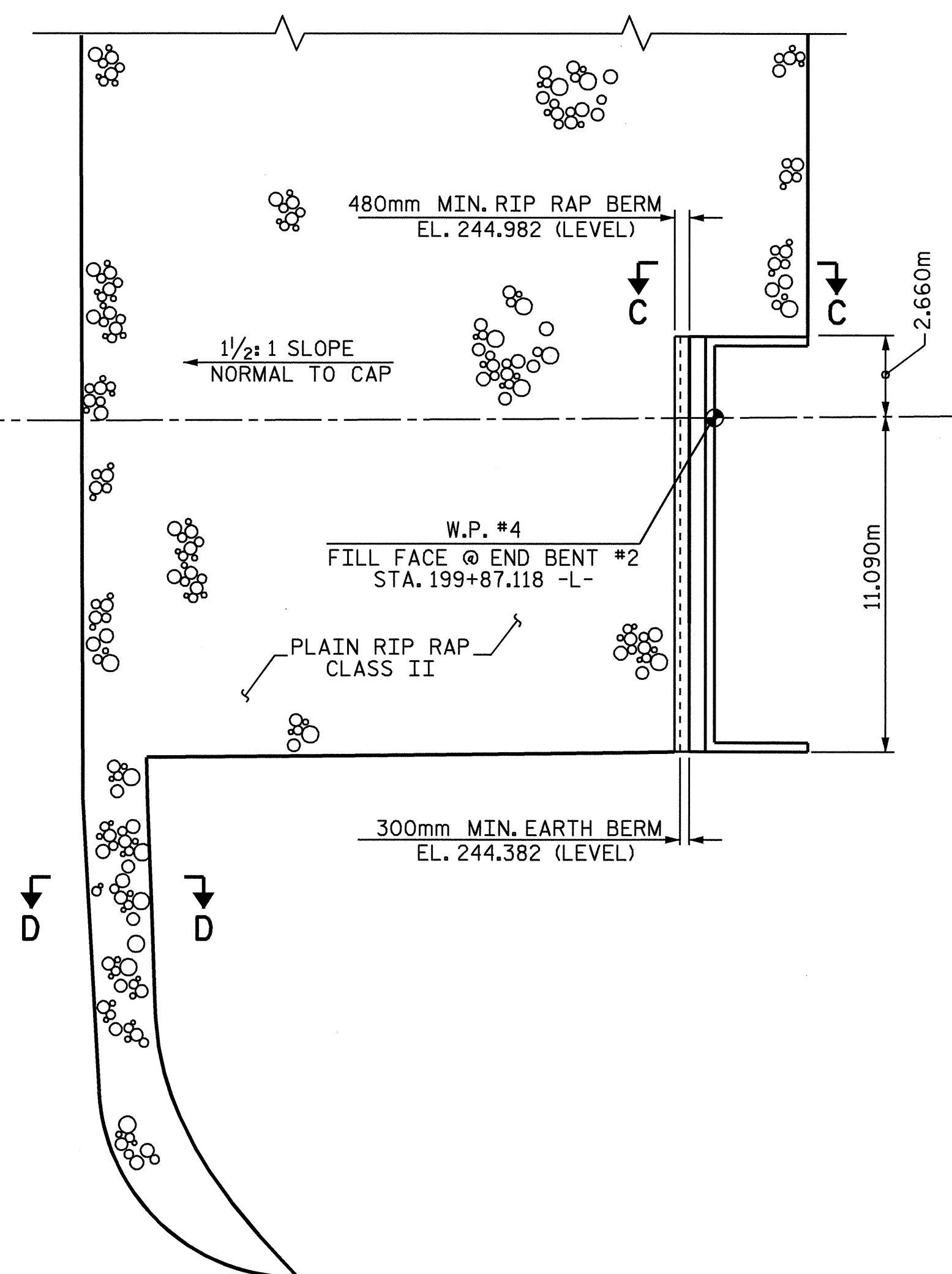
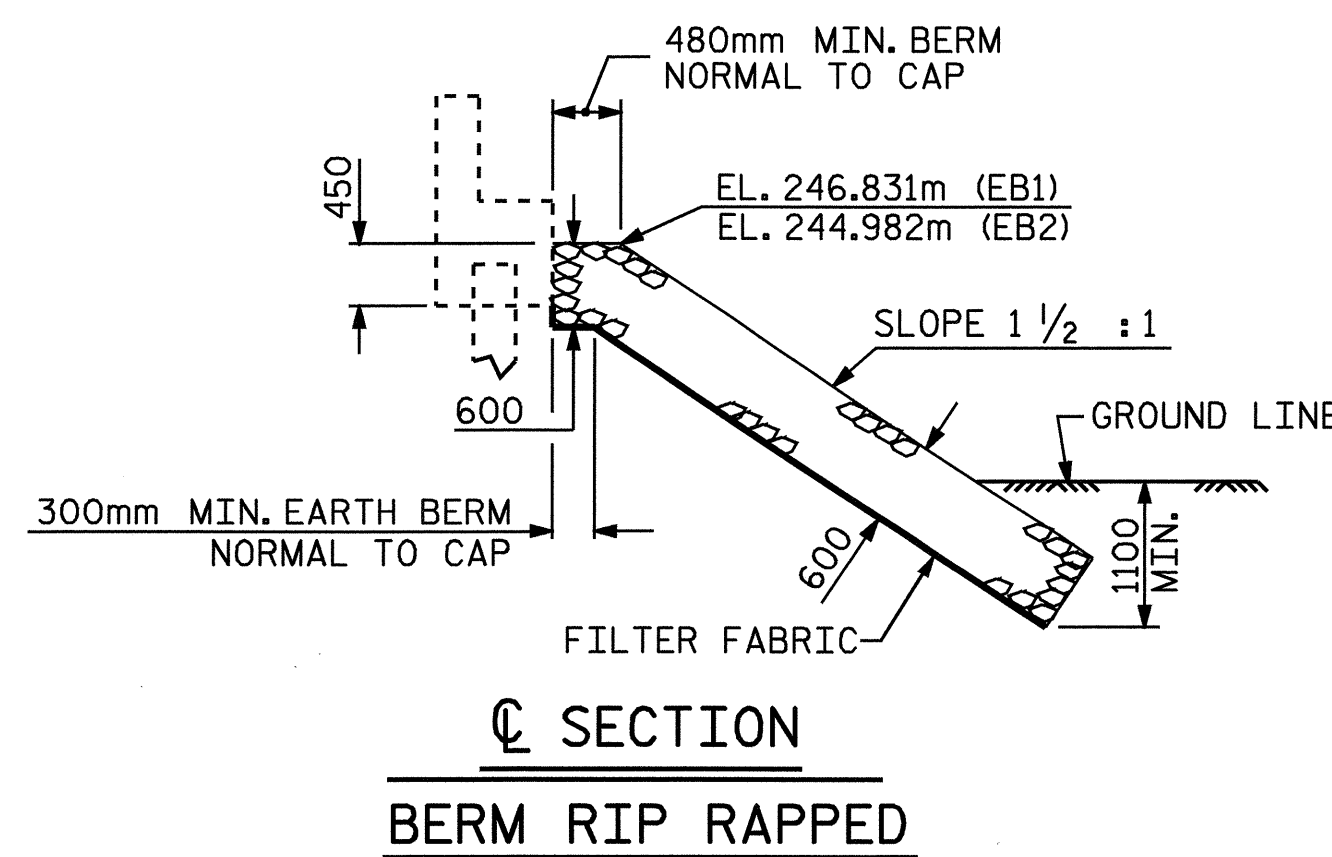


PLAN @ END BENT #1

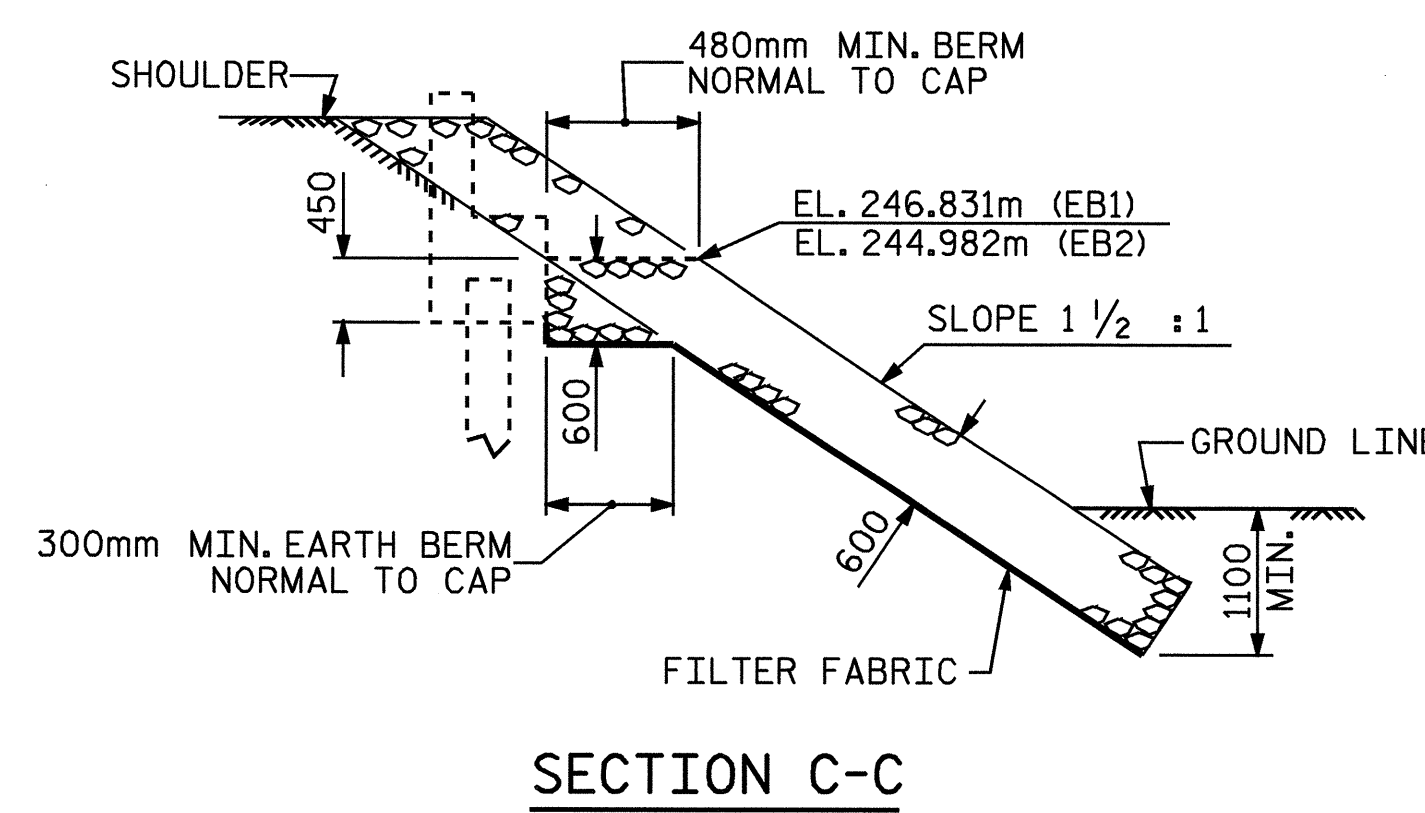


PLAN @ END BENT #2

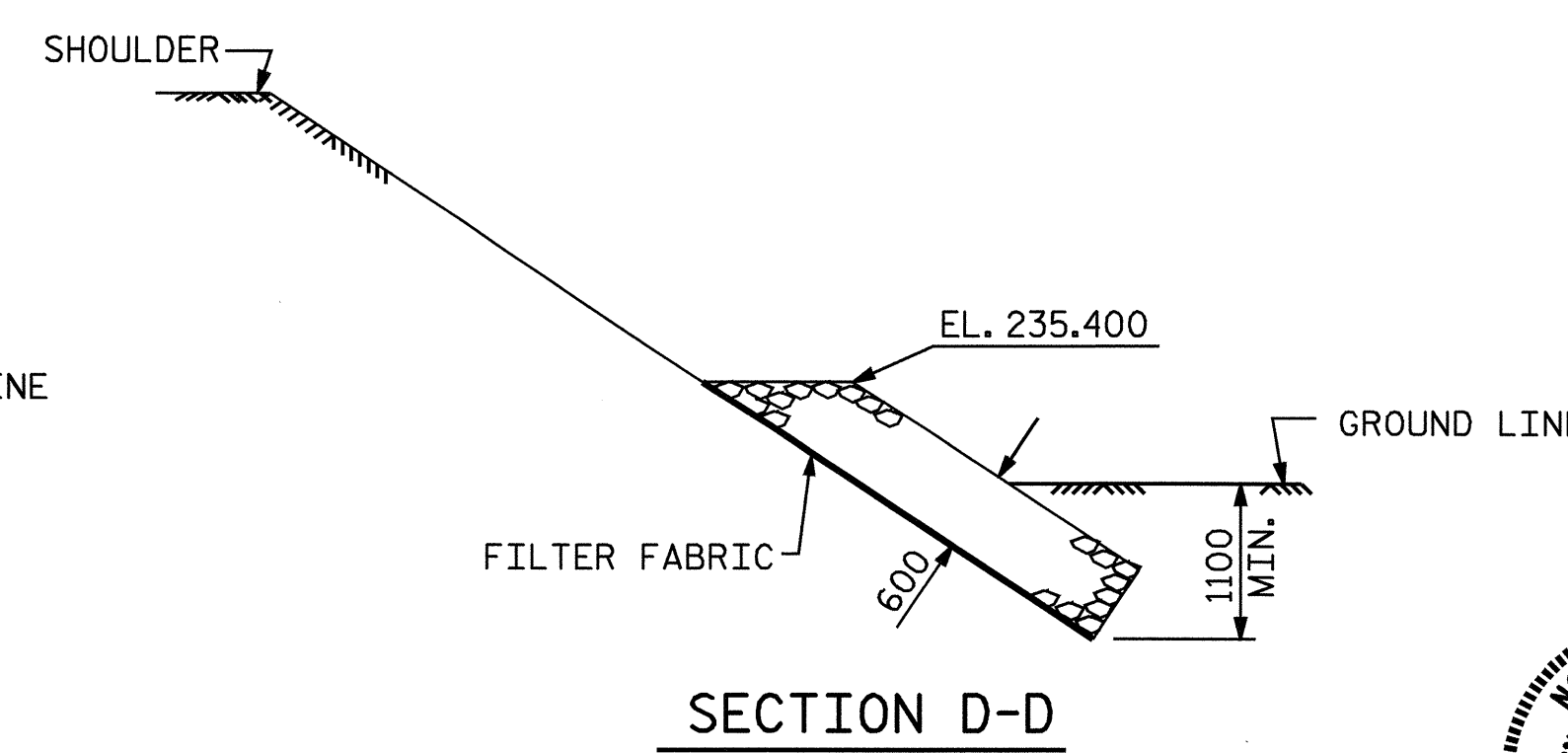
ESTIMATED QUANTITIES		
BRIDGE @ STA. 199+48.000 -L- (RIGHT LANE)	PLAIN RIP RAP CLASS II	FILTER FABRIC FOR DRAINAGE
	METRIC TONS	SQ. METERS
END BENT 1	540	551
END BENT 2	615	628



SECTION C-C
BERM RIP RAPPED



SECTION C-C



SECTION D-D

PROJECT NO. R-2206C
LINCOLN-CATAWBA COUNTY
STATION: 199+48.000 -L-



STATE OF NORTH CAROLINA
DEPARTMENT OF TRANSPORTATION
RALEIGH
STANDARD
= RIP RAP DETAILS =
RIGHT LANE

ASSEMBLED BY: MS / WDC	DATE: 6-8-04
CHECKED BY: P. ADKINS	DATE: 6-04
DRAWN BY: FCJ 2/88	REV. 7/17/98 REK/RWW
CHECKED BY: ARB 8/88	REV. 8/16/99 RWW/LES
	REV. 10/17/00 RWW/LES

REVISIONS						SHEET NO. 394
NO.	BY:	DATE:	NO.	BY:	DATE:	
1			3			TOTAL SHEETS 374
2			4			