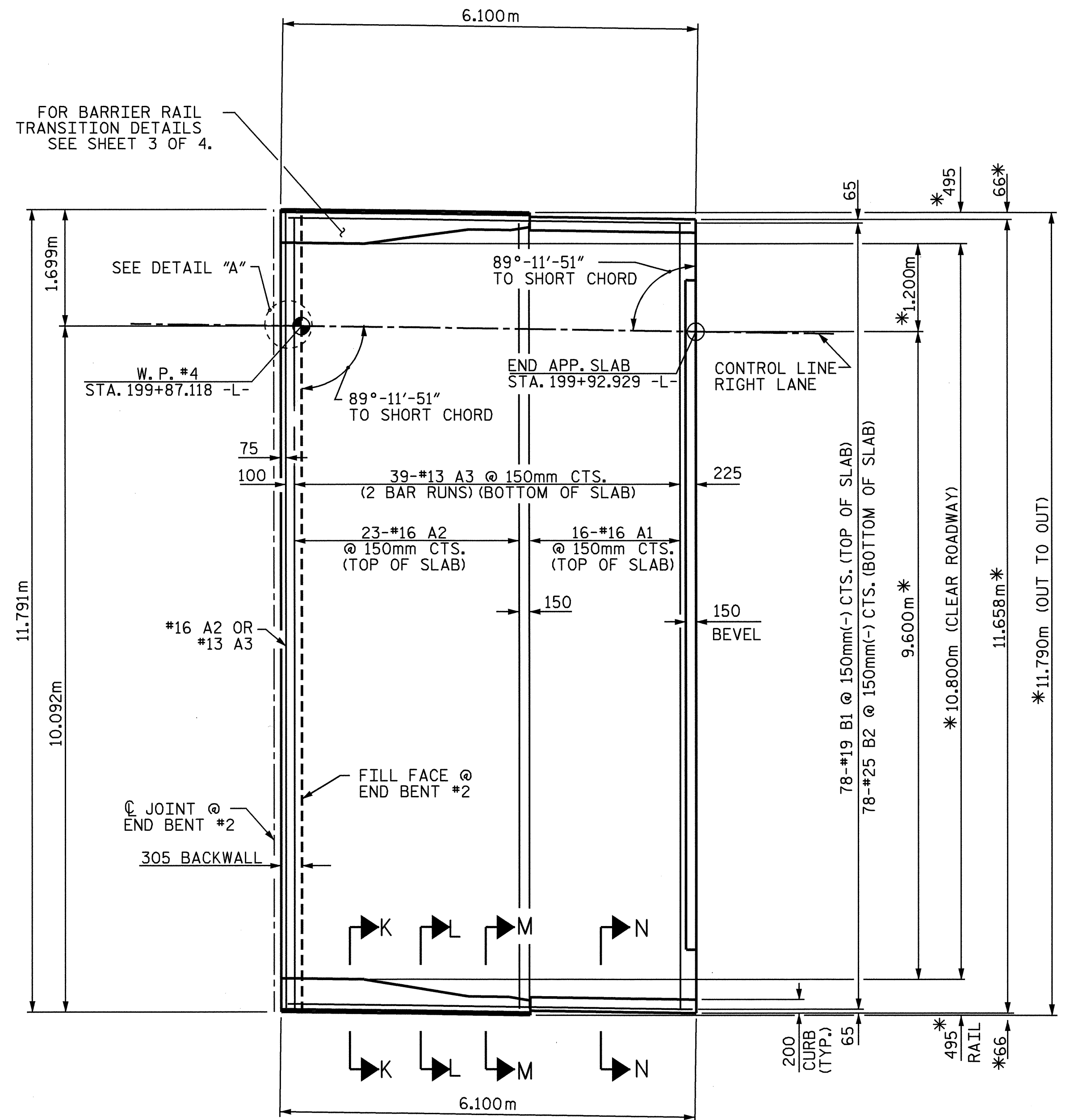
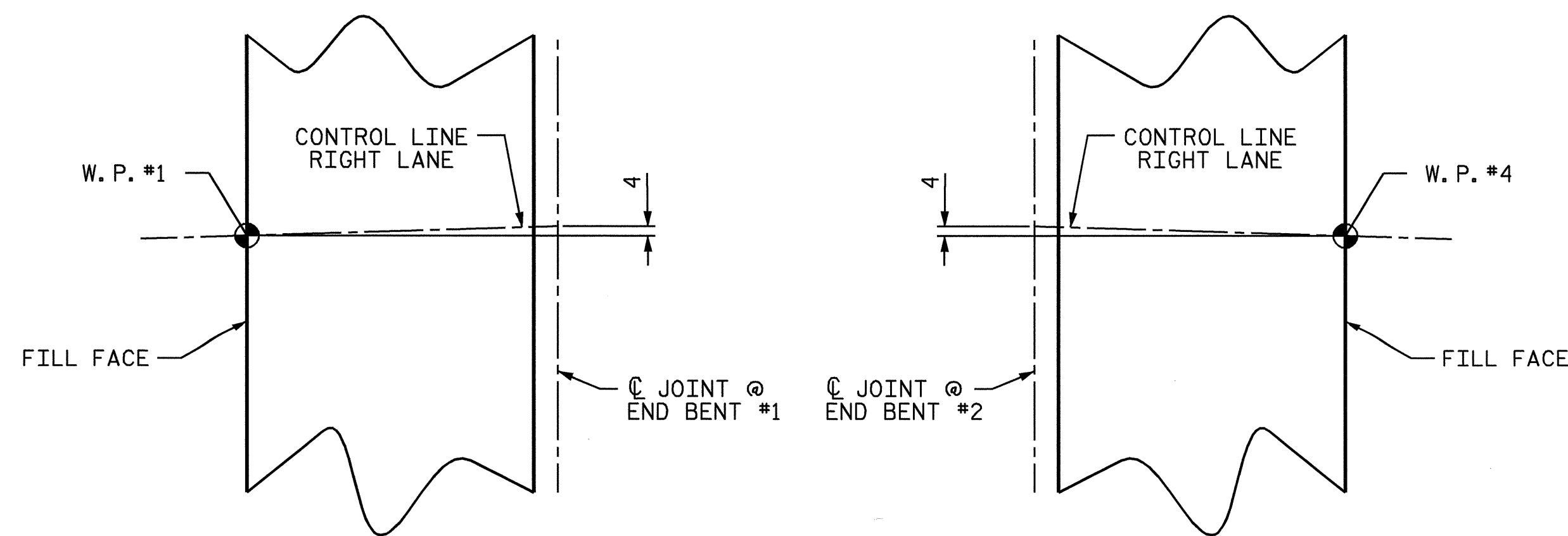


PLAN @ END BENT #1
ARC OFFSETS ARE NEGLIGIBLE



PLAN @ END BENT #2
ARC OFFSETS ARE NEGLIGIBLE

* RADIAL DIMENSIONS
540mm MIN. SPLICE FOR #13 A3



DETAIL "A"



Emily E. Murray
9/8/04

PROJECT NO. R-2206C
LINCOLN-CATAWBA COUNTY
STATION: 199+48.000 -L-

SHEET 1 OF 4

STATE OF NORTH CAROLINA
DEPARTMENT OF TRANSPORTATION
RALEIGH

BRIDGE APPROACH SLAB
FOR RIGID PAVEMENT
WITH BARRIER RAIL

RIGHT LANE

DRAWN BY: PEGGY ADKINS DATE: 3-04
CHECKED BY: T. AVERETTE DATE: 5-04

REVISIONS						SHEET NO.	
NO.	BY:	DATE:	NO.	BY:	DATE:	TOTAL SHEETS	
1			3			5	95
2			4			37	4