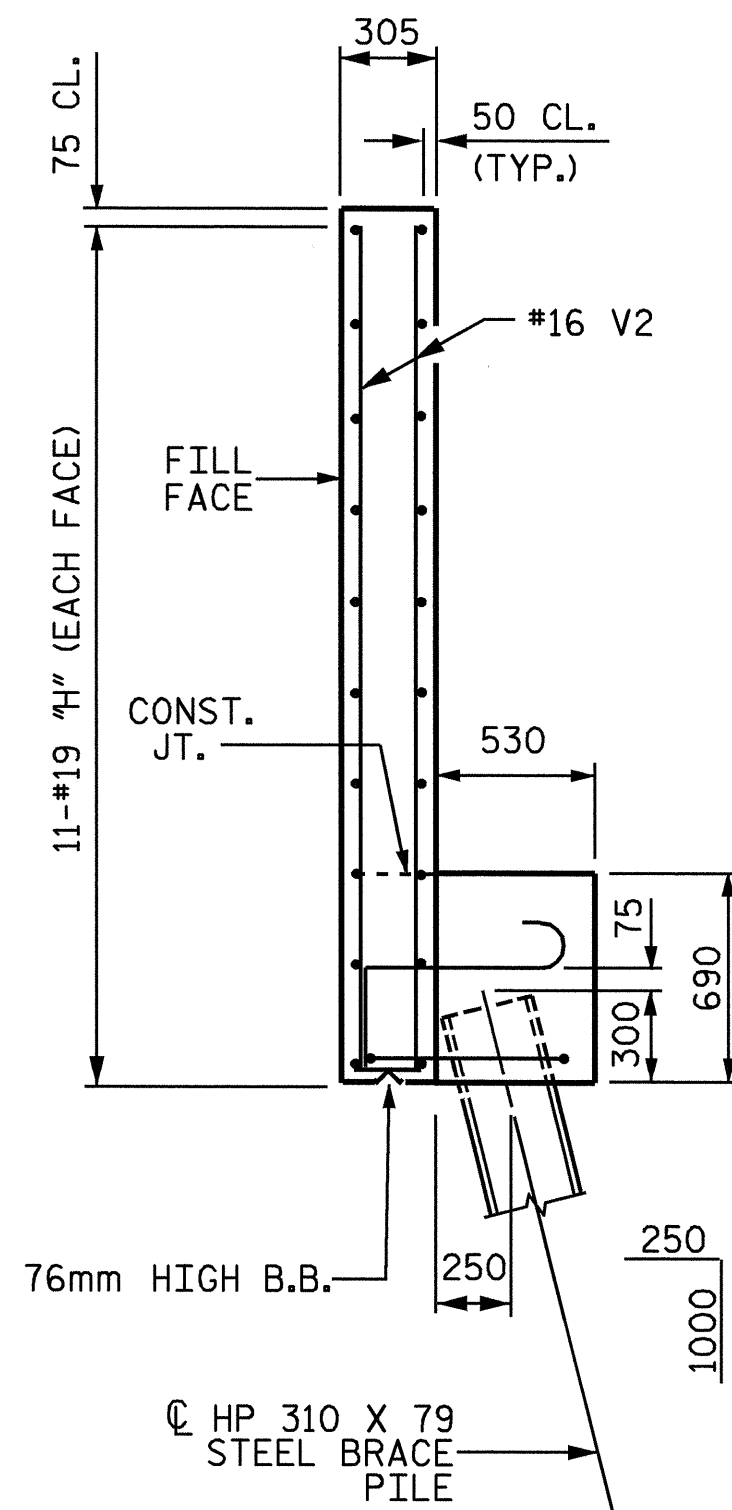
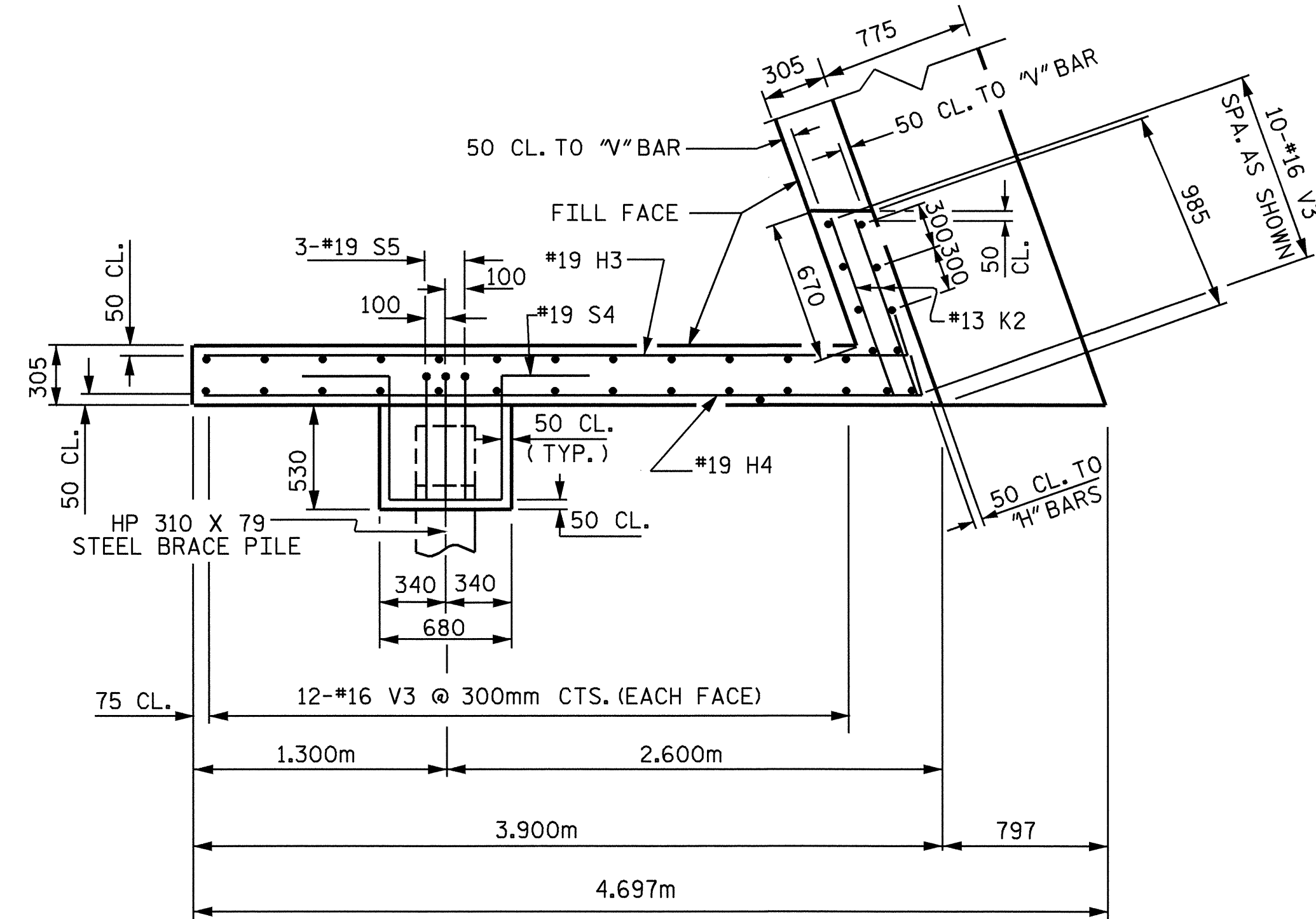


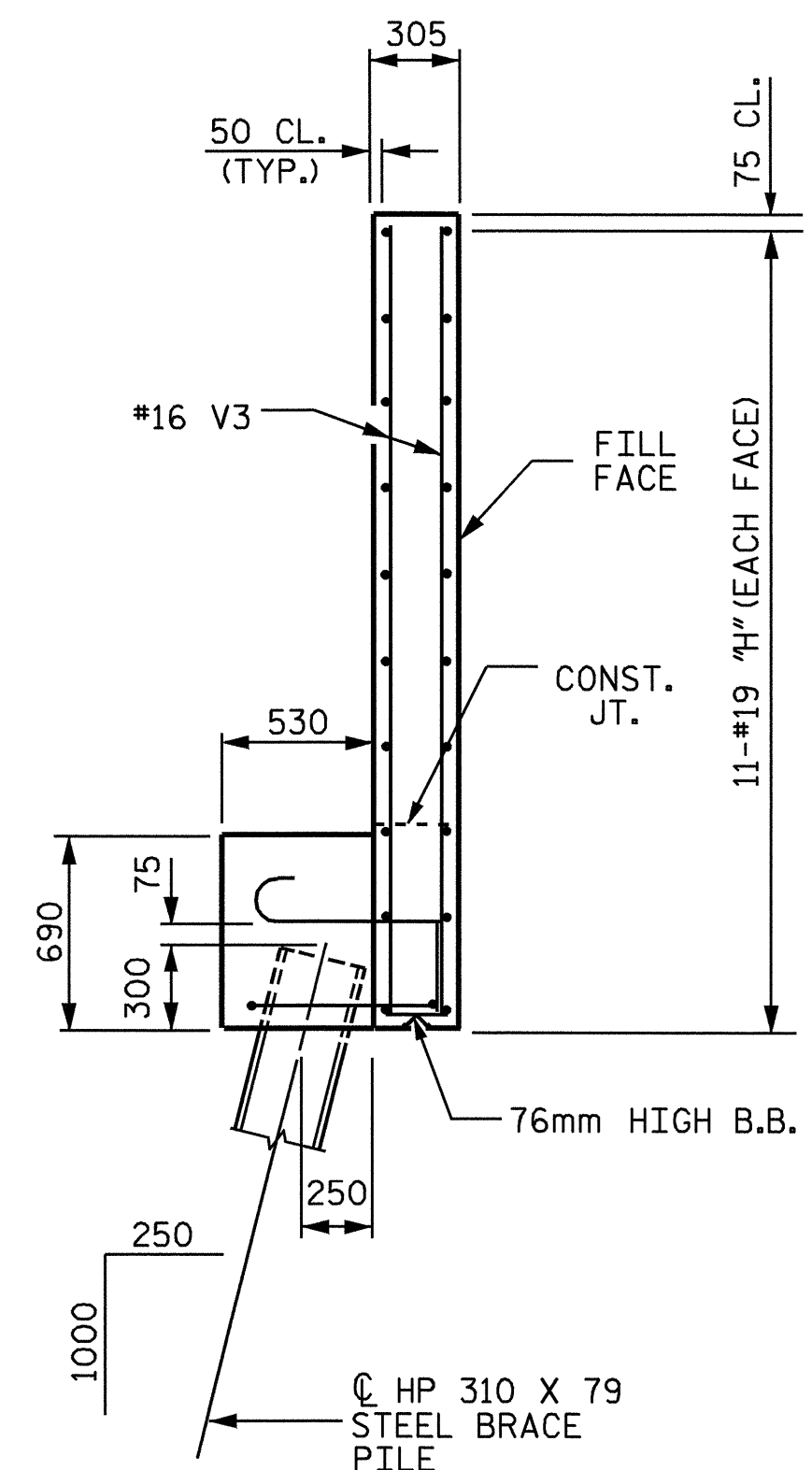
PLAN OF LEFT WING (W1)



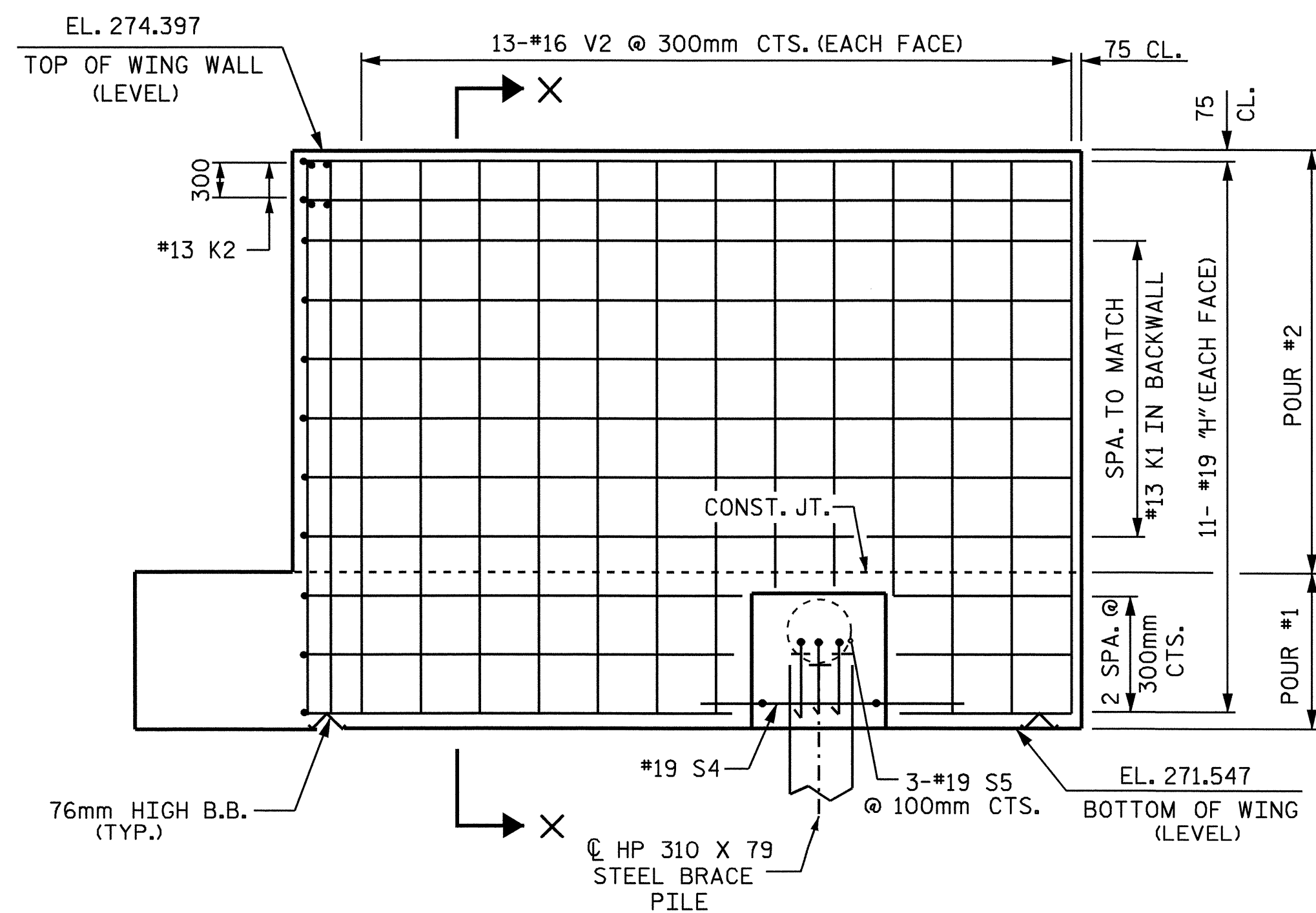
SECTION X-X



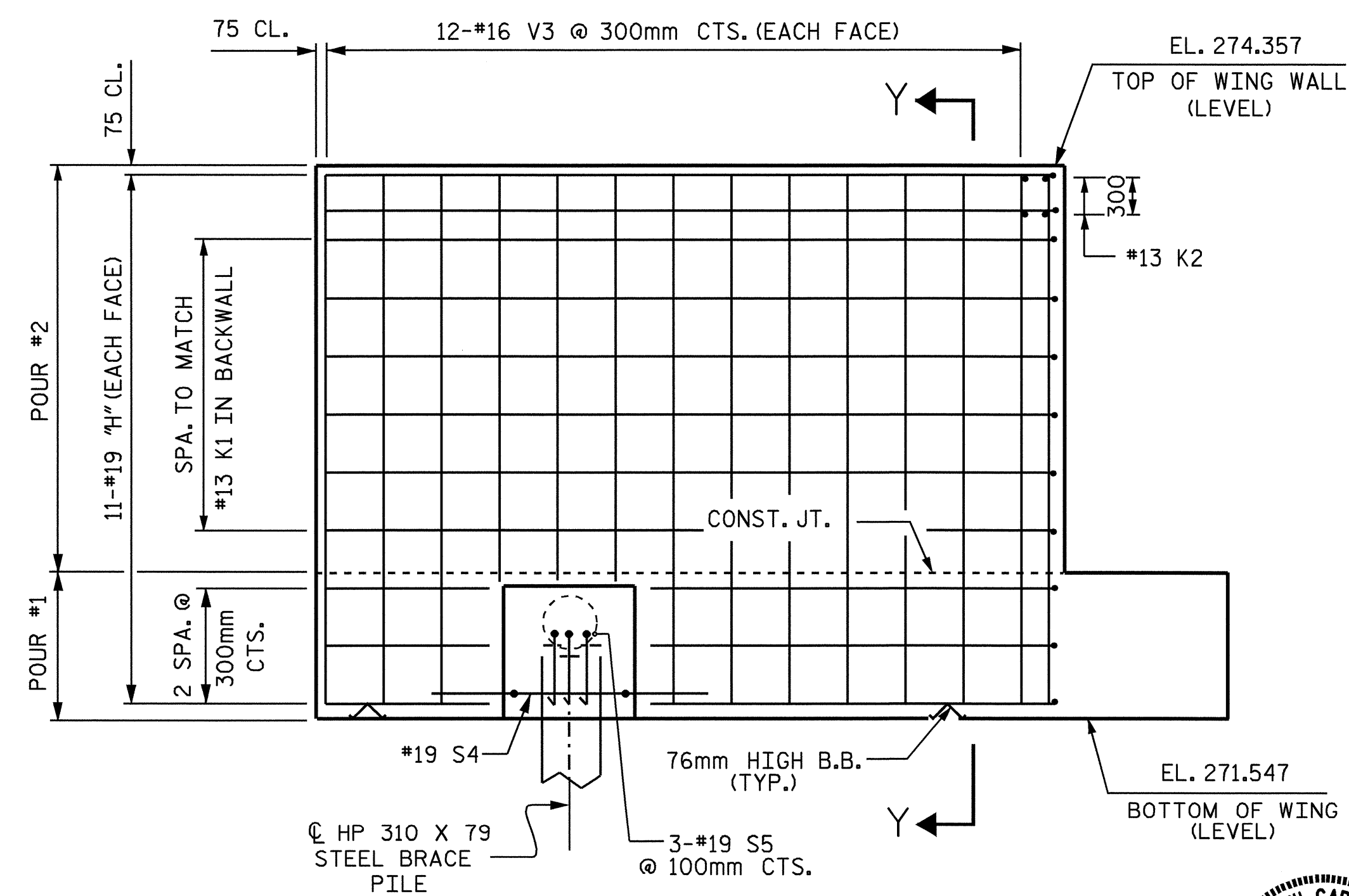
PLAN OF RIGHT WING (W2)



SECTION Y-Y



ELEVATION OF LEFT WING (W1)



ELEVATION OF RIGHT WING (W2)

PROJECT NO. R-2206C
 LINCOLN-CATAWBA COUNTY
 STATION: 216+60.508 -L-

SHEET 2 OF 3

STATE OF NORTH CAROLINA
 DEPARTMENT OF TRANSPORTATION
 RALEIGH

SUBSTRUCTURE
 END BENT #1



Emily E. Marry
 5/9/04

REVISIONS					SHEET NO.
NO.	BY:	DATE:	NO.	BY:	DATE:
1			3		
2			4		

S-119
 TOTAL SHEETS
 374

DRAWN BY: C. MILLER DATE: 10/03
 CHECKED BY: P. ADKINS DATE: 11/03

31-AUG-2004 11:17
 w:\squaddq\2206c\Final Plans\Str. 2\R2206C_02.El.dgn
 darutcher

NCBDS

STR. #2