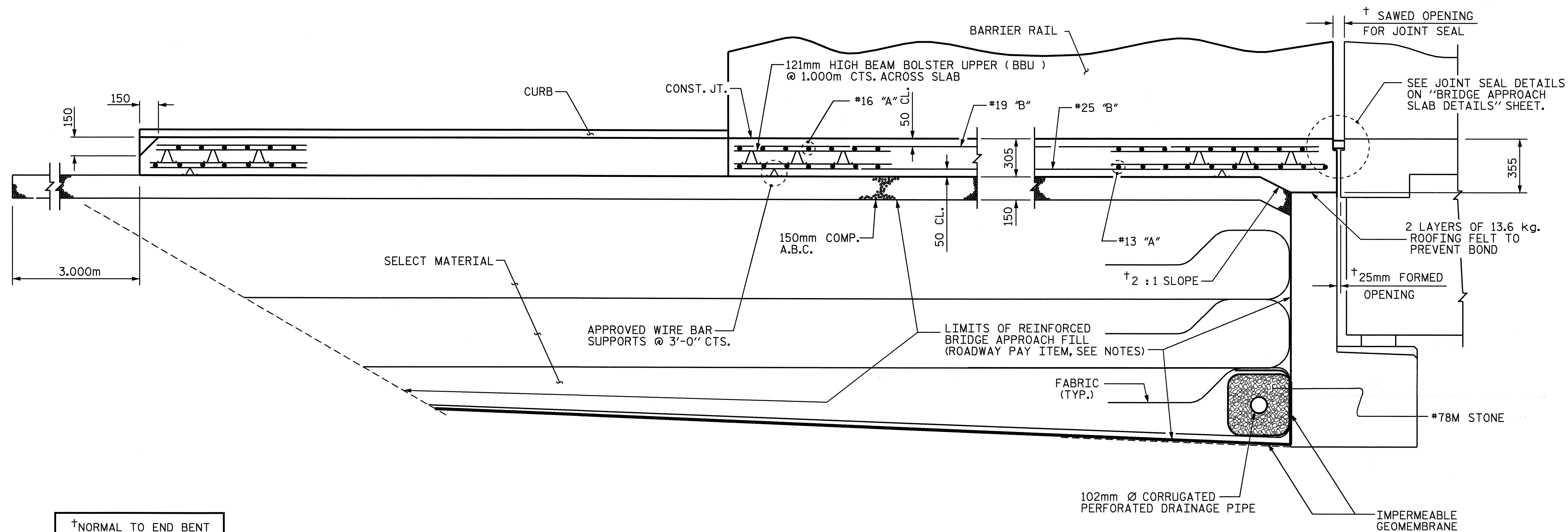
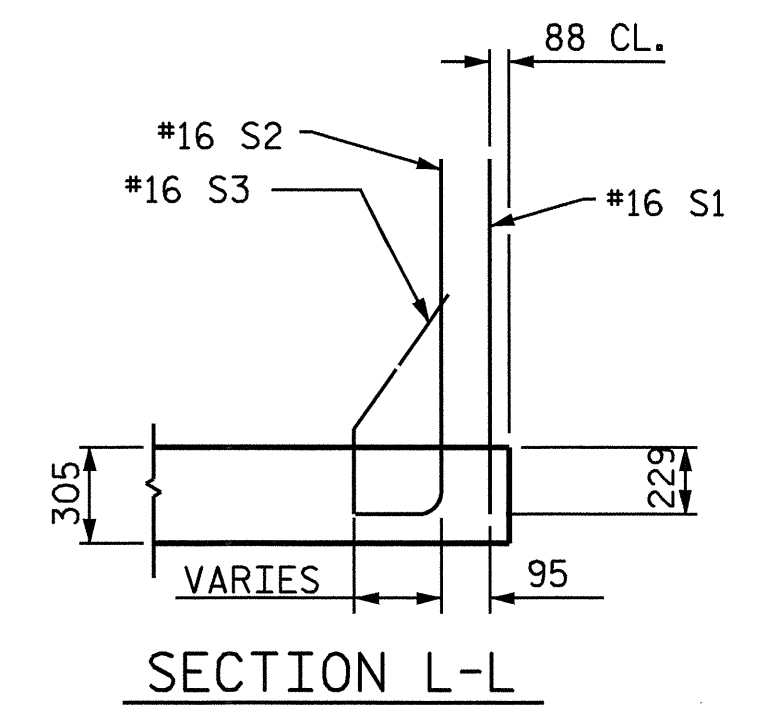
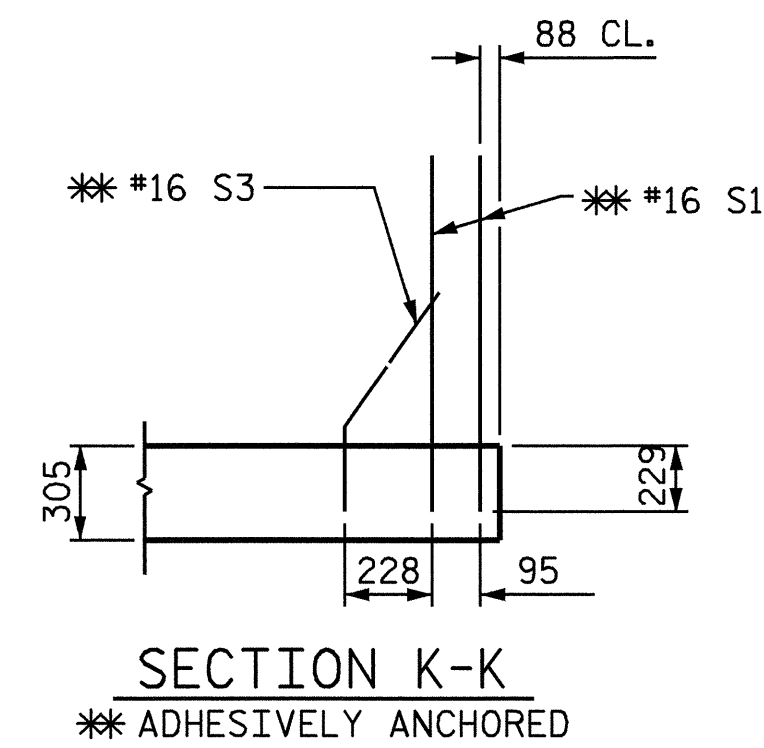
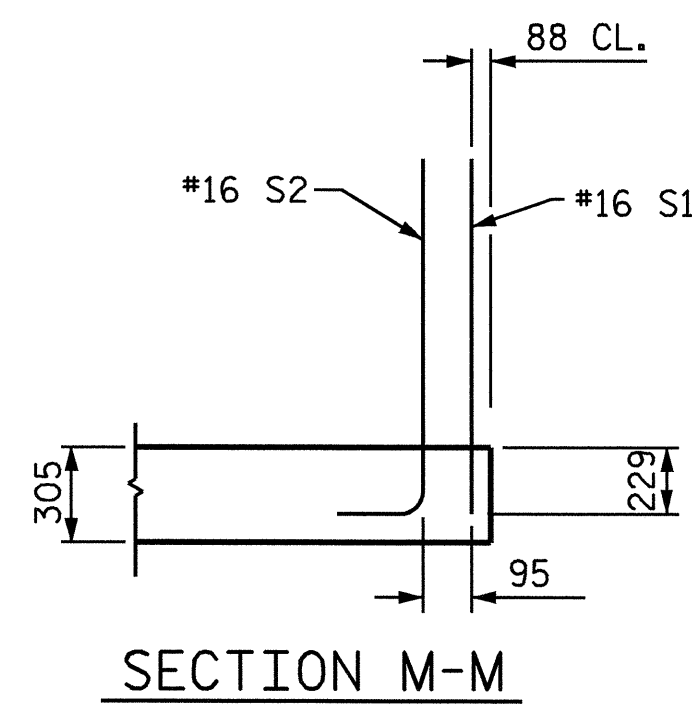


END OF CURB WITHOUT  
SHOULDER BERM GUTTER

**CURB DETAILS**



†NORMAL TO END BENT

**SECTION THRU SLAB**

PROJECT NO. R-2206C  
LINCOLN-CATAWBA COUNTY  
 STATION: 216+60.508 -L-

SHEET 2 OF 5

STATE OF NORTH CAROLINA  
 DEPARTMENT OF TRANSPORTATION  
 RALEIGH

BRIDGE APPROACH SLAB  
 FOR FLEXIBLE PAVEMENT  
 WITH BARRIER RAIL



*Emily E. Murray*  
 9/8/04

ASSEMBLED BY : ZION J. RORIE DATE : 6/9/04  
 CHECKED BY : W.D. CRUTCHER DATE : 7-20-04  
 DRAWN BY : RWW 8/01  
 CHECKED BY : LES 8/01

ADDED 12/01  
 REV. 5/7/03 RWW/JTE

REVISIONS					SHEET NO.
NO.	BY:	DATE:	NO.	BY:	DATE:
1			3		
2			4		

TOTAL SHEETS: 374