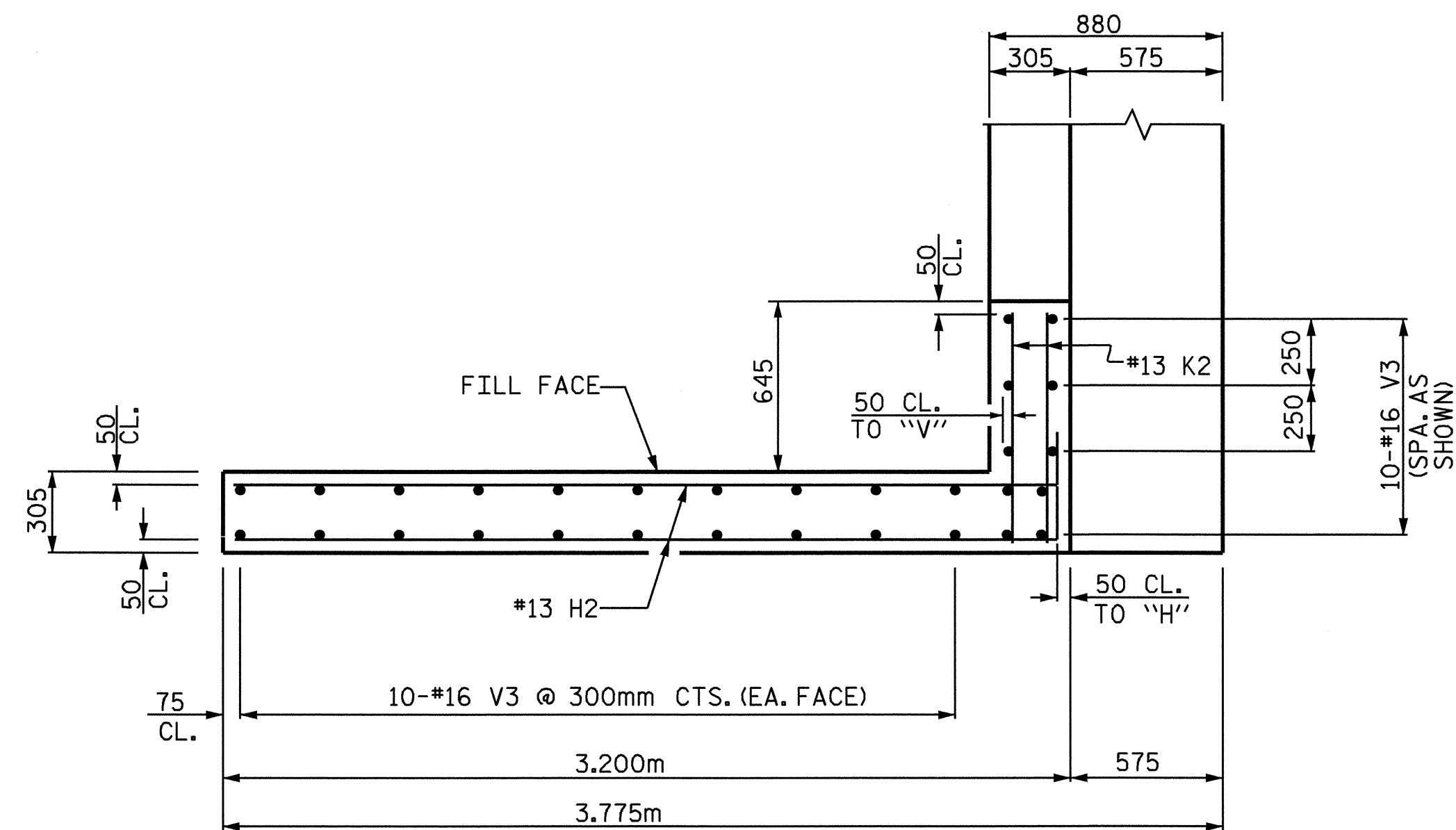
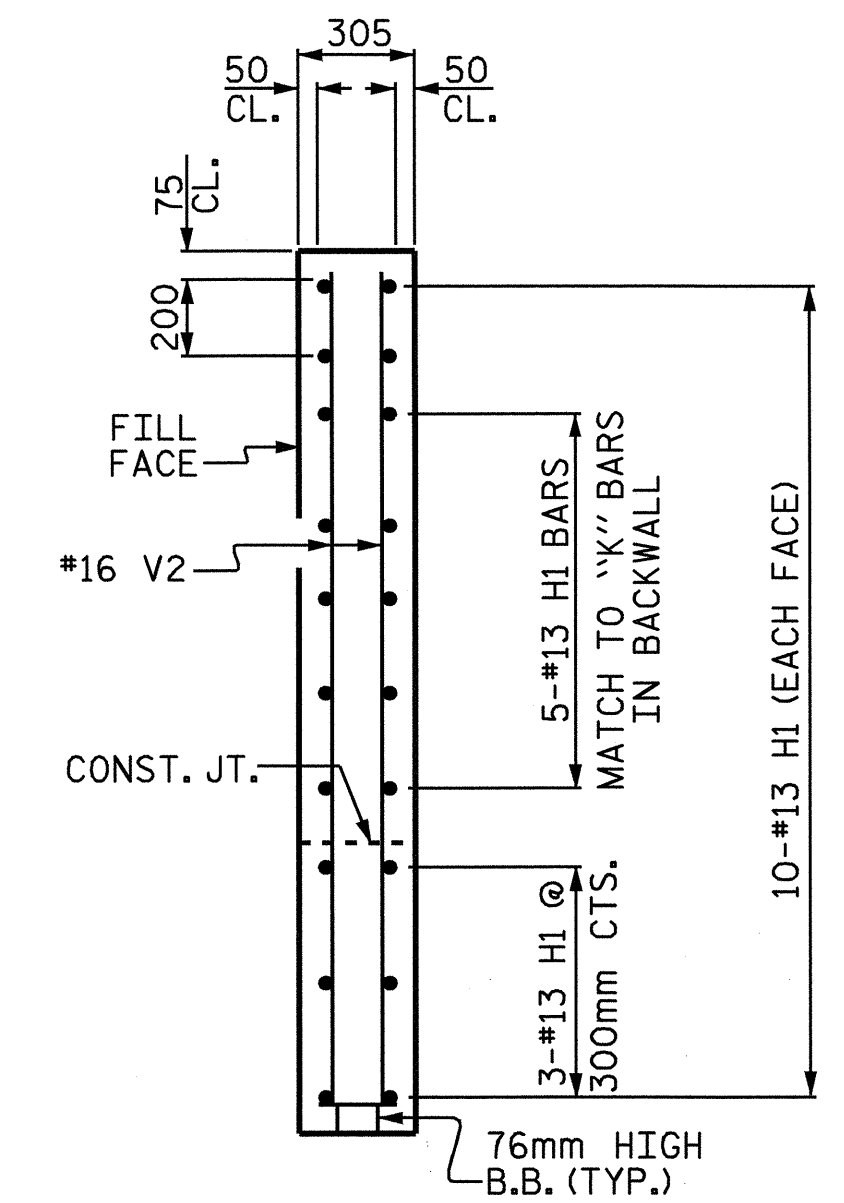


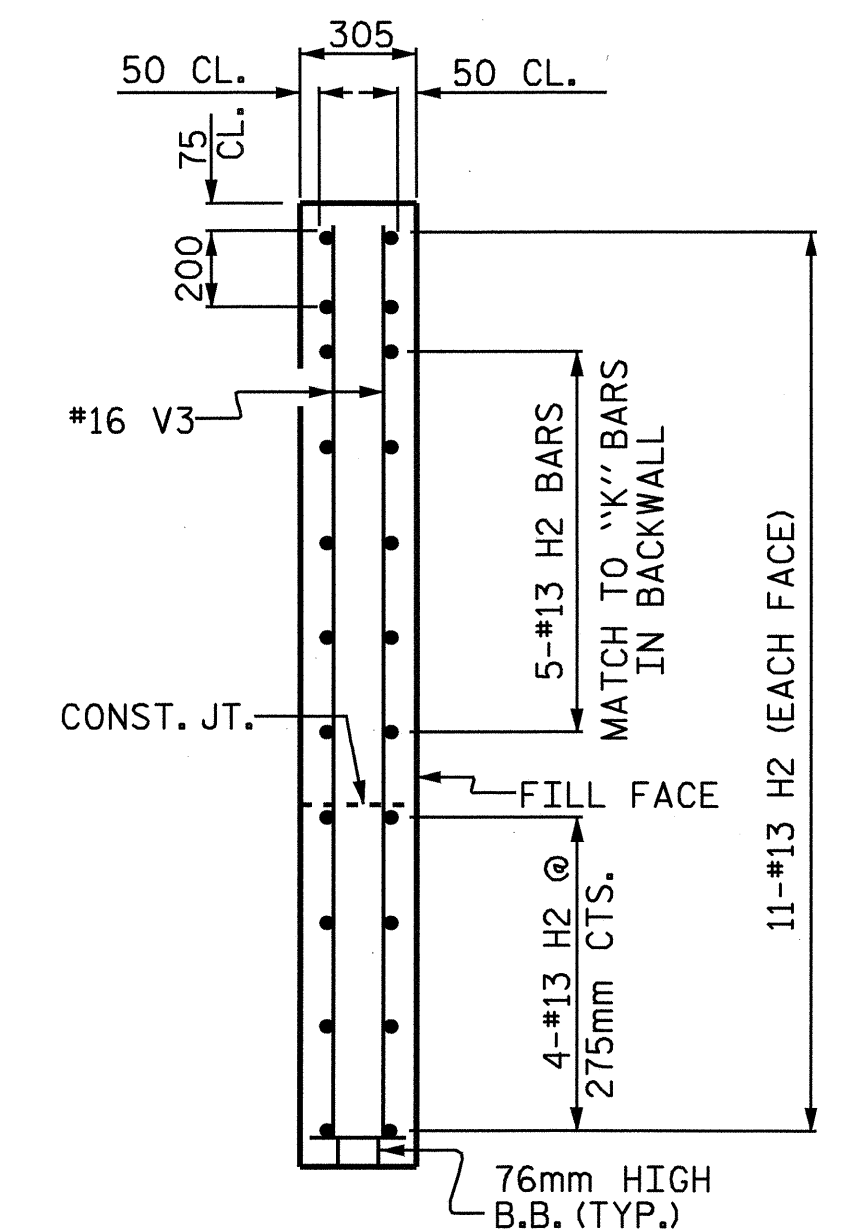
PLAN OF LEFT WING



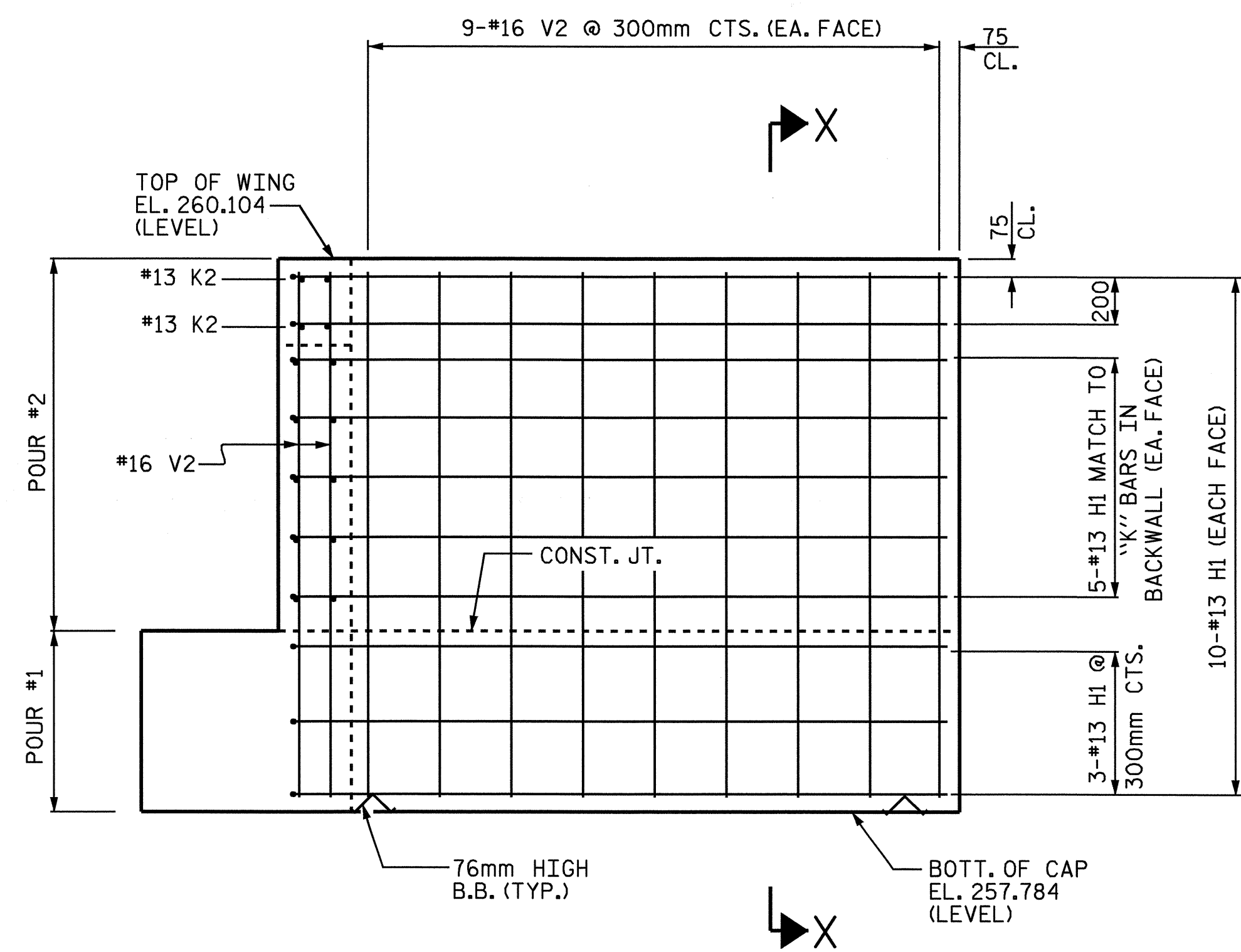
PLAN OF RIGHT WING



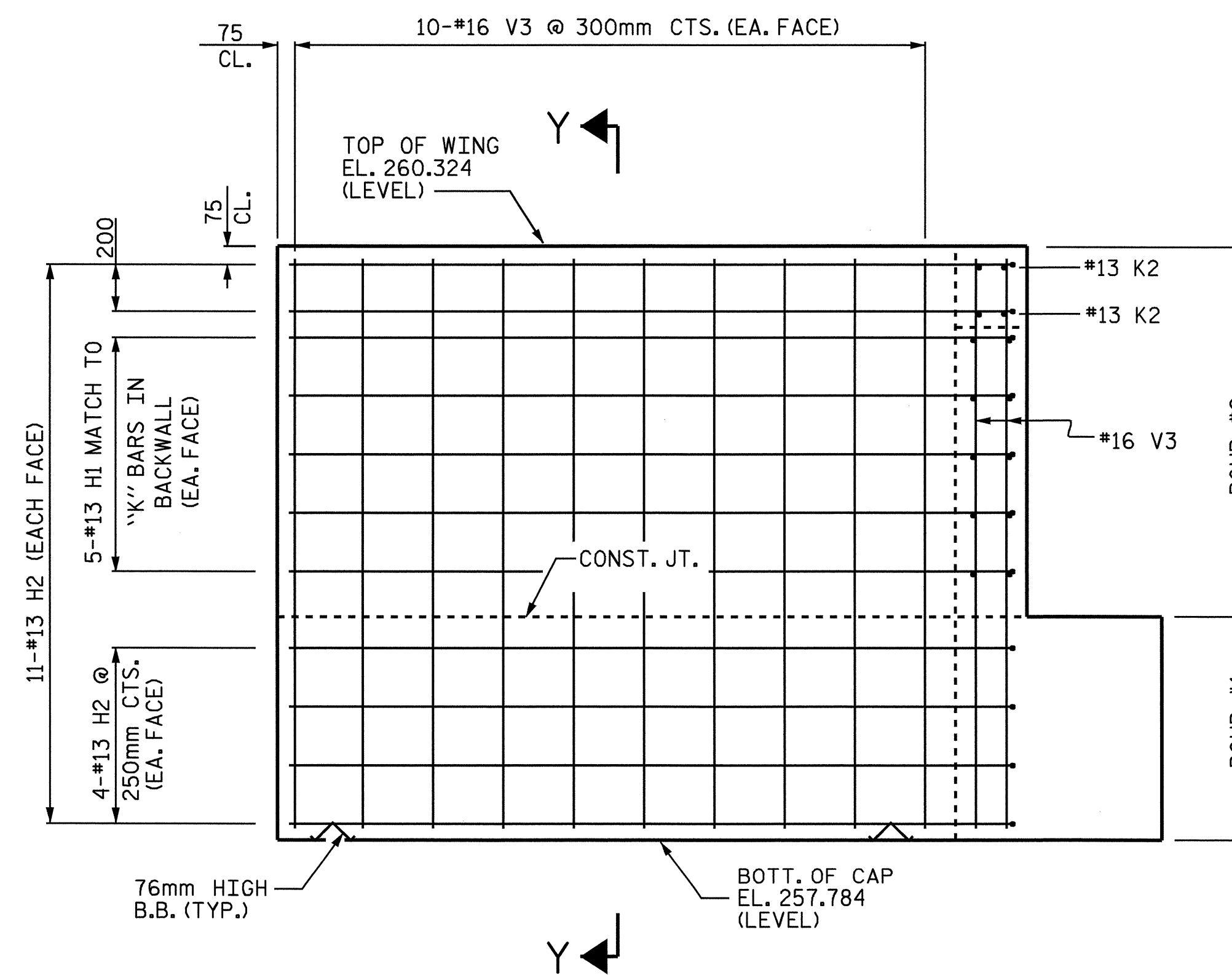
SECTION "X-X"



SECTION "Y-Y"



ELEVATION OF LEFT WING



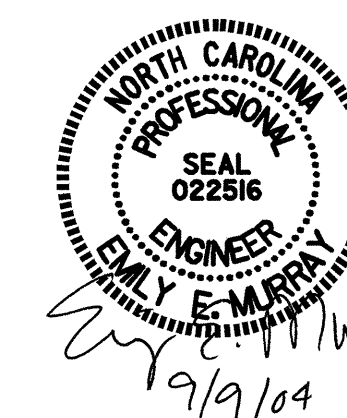
ELEVATION OF RIGHT WING

PROJECT NO. R-2206C
 LINCOLN-CATAWBA COUNTY
 STATION: 223+03.850-L-

SHEET 2 OF 3

STATE OF NORTH CAROLINA
 DEPARTMENT OF TRANSPORTATION
 RALEIGH

SUBSTRUCTURE
 END BENT #1
 LEFT LANE



DRAWN BY: M.D.PISO DATE: 03/2004
 CHECKED BY: P.ADKINS DATE: 04/2004

03-SEP-2004 14:43
 w:\squadq\2206c\Final Plans\Str. 9\2206c.sd_EBL.9.dgn
 padkins

REVISIONS						SHEET NO.
NO.	BY:	DATE:	NO.	BY:	DATE:	5-108
1			3			TOTAL SHEETS
2			4			374

STR. #9