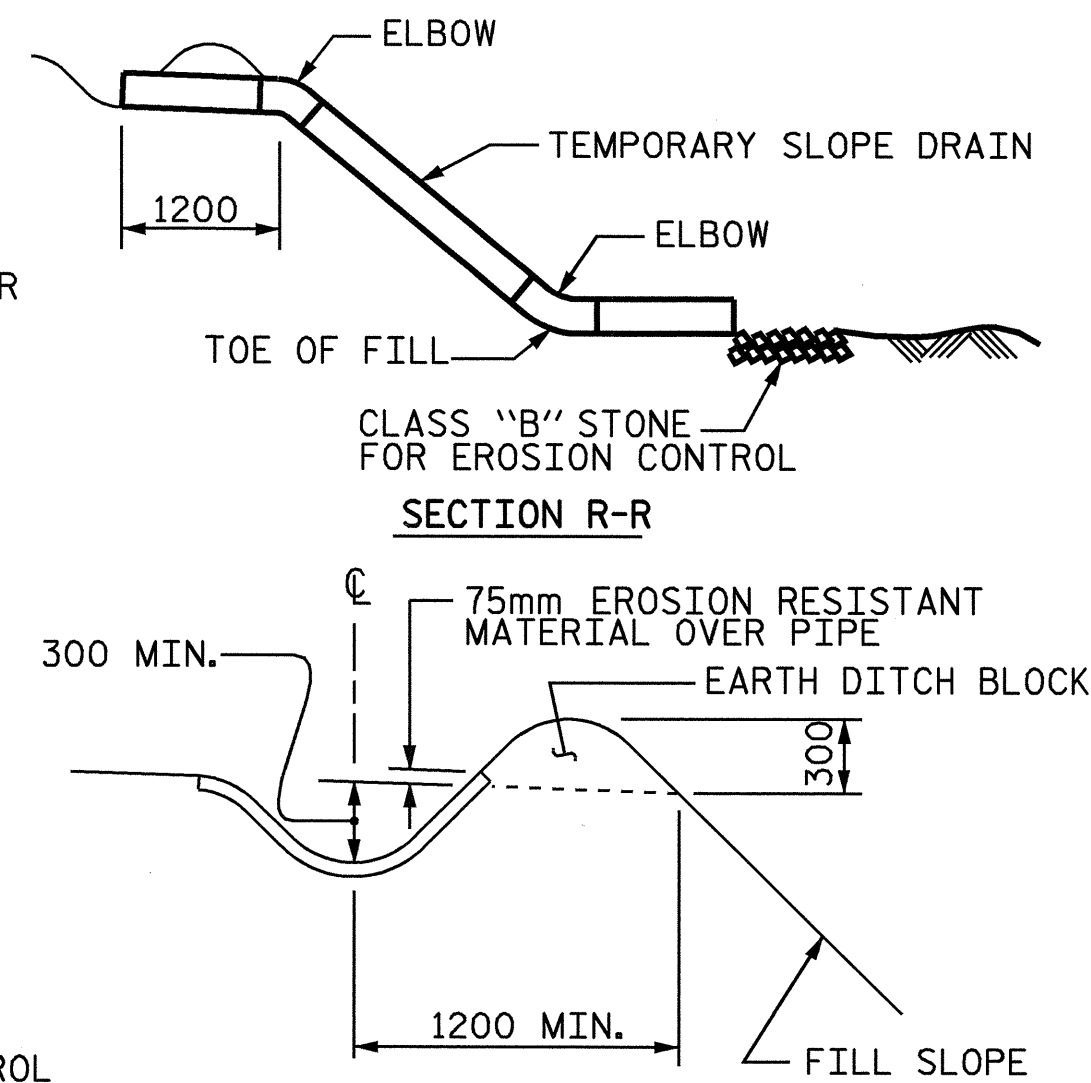
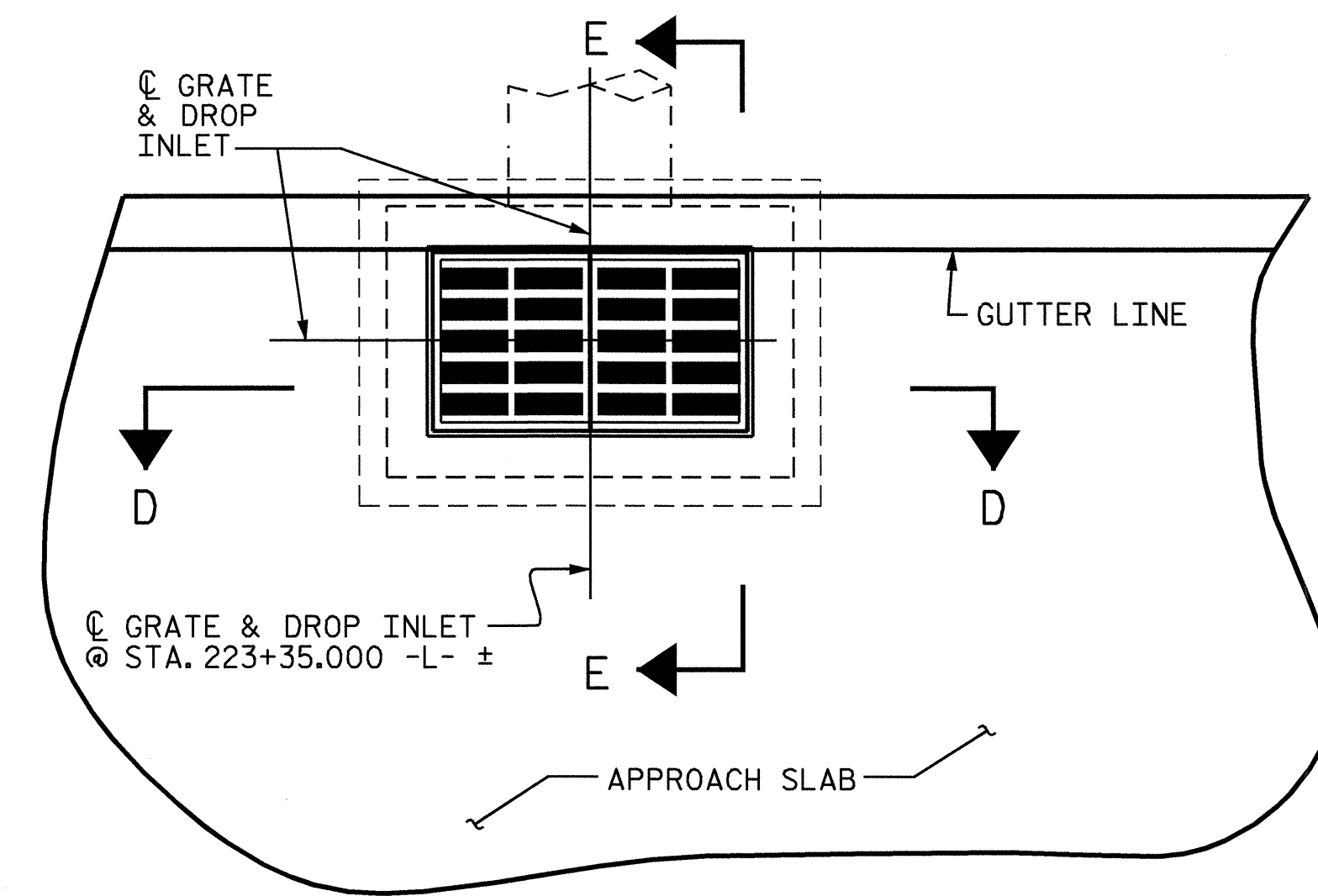


NOTE: IMMEDIATELY AFTER THE CONSTRUCTION OF THE APPROACH SLAB, THE CONTRACTOR SHALL PROVIDE TEMPORARY BERM AND SLOPE DRAIN. CONTRACTOR SHALL GRADE TO PIPE INLET AND PROVIDE EROSION RESISTANT MATERIAL AS SHOWN. THE EROSION RESISTANT MATERIAL SHALL BE EITHER 1) ASPHALT PLANT MIX, TYPE 1 OR TYPE 2, MIN. 50mm DEPTH, 2) EROSION CONTROL MAT, OR 3) CONCRETE, AS DIRECTED BY THE ENGINEER. THE SLOPE DRAIN SHALL CONSIST OF A NON-PERFORATED TEMPORARY DRAINAGE PIPE, 305mm IN DIAMETER.

PLAN VIEW

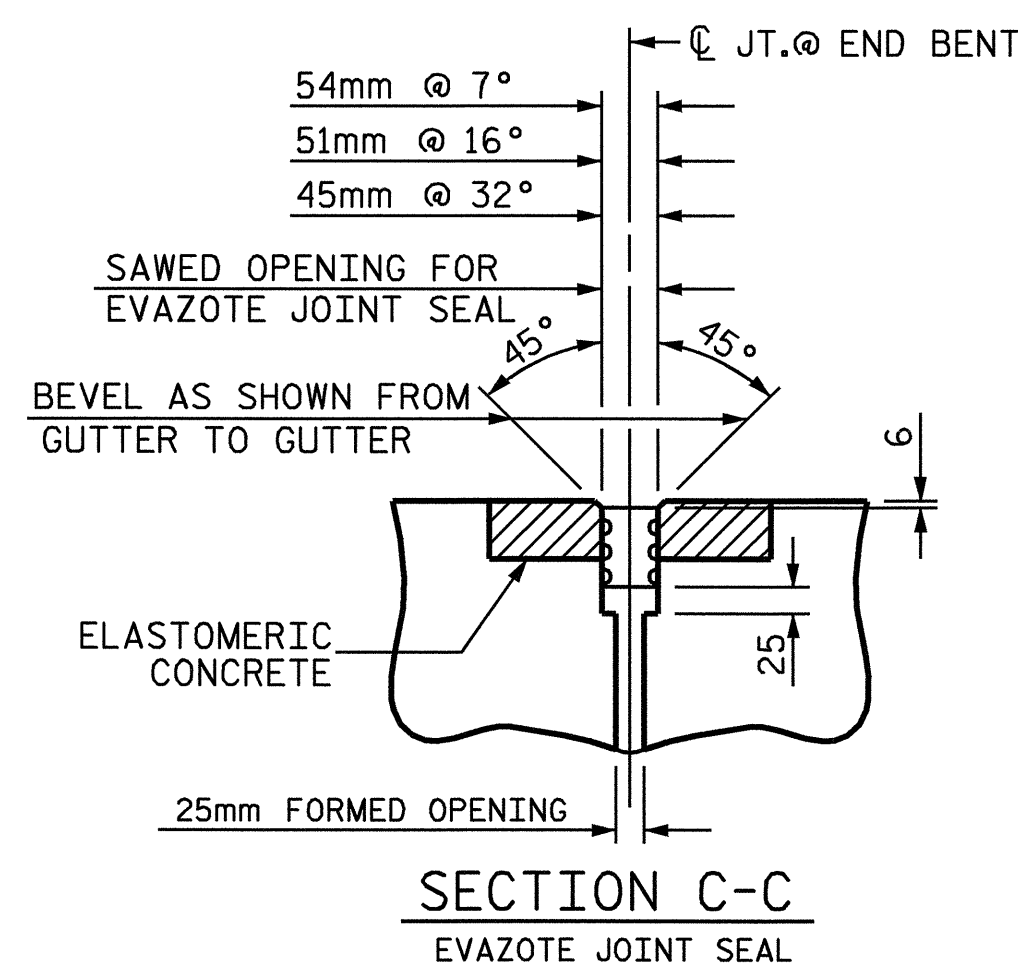


SECTION S-S

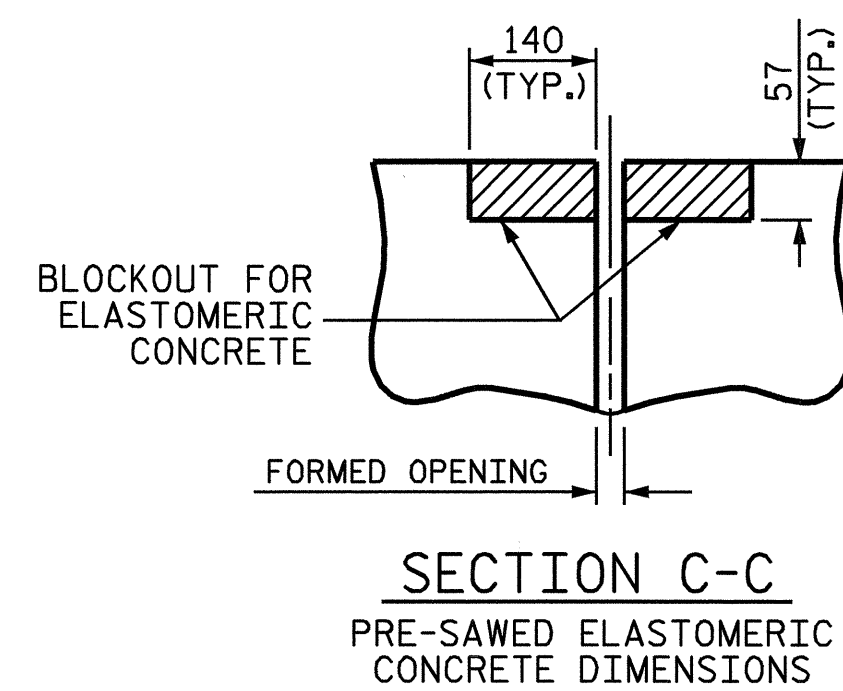


PART PLAN

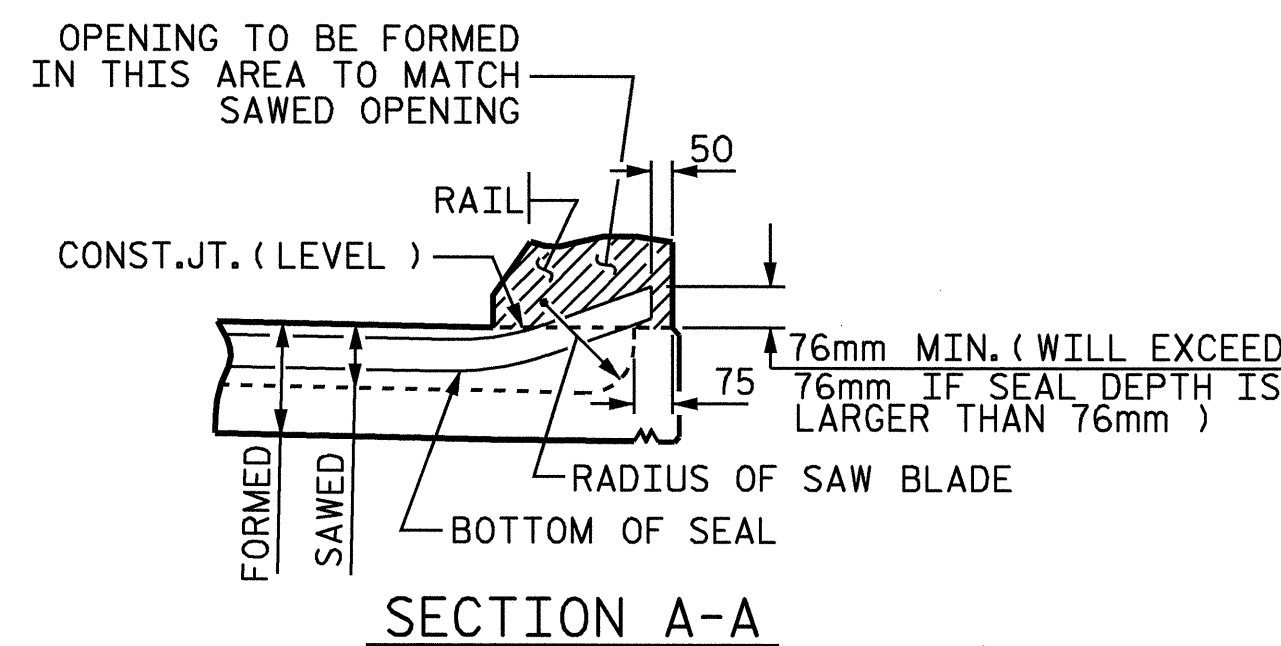
TEMPORARY BERM AND SLOPE DRAIN DETAILS



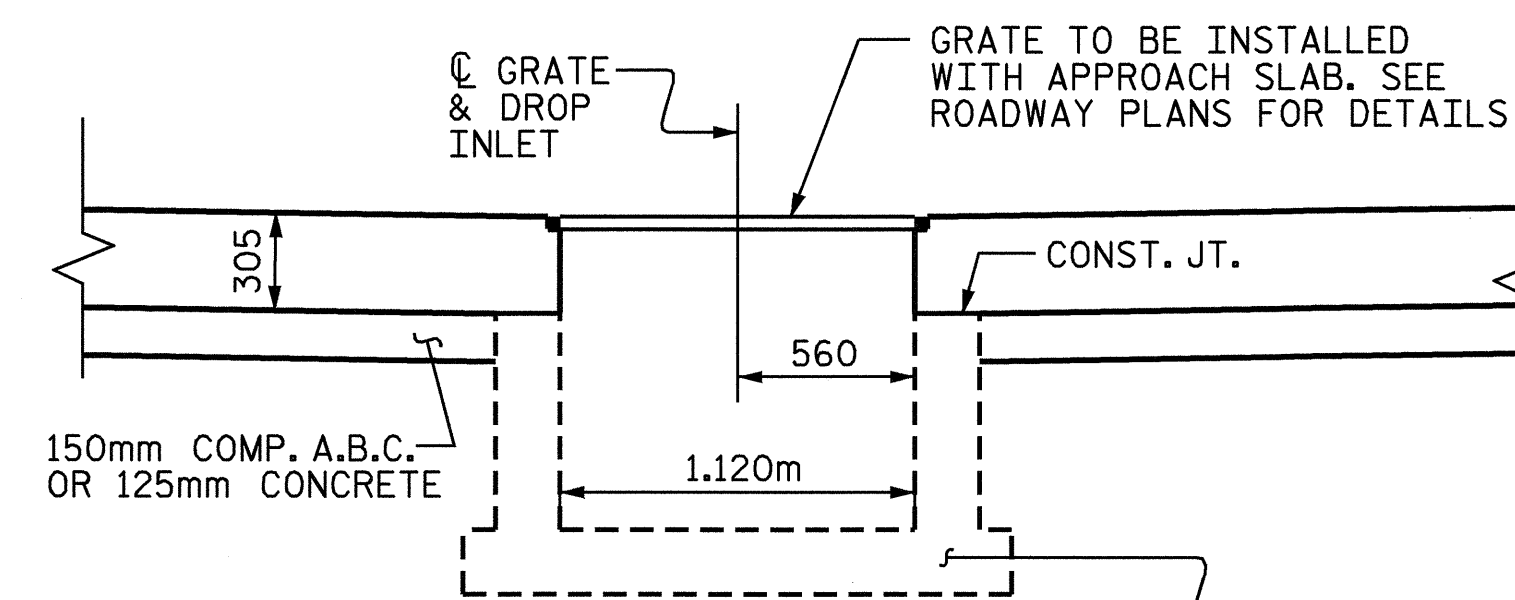
SECTION C-C
EVAZOTE JOINT SEAL



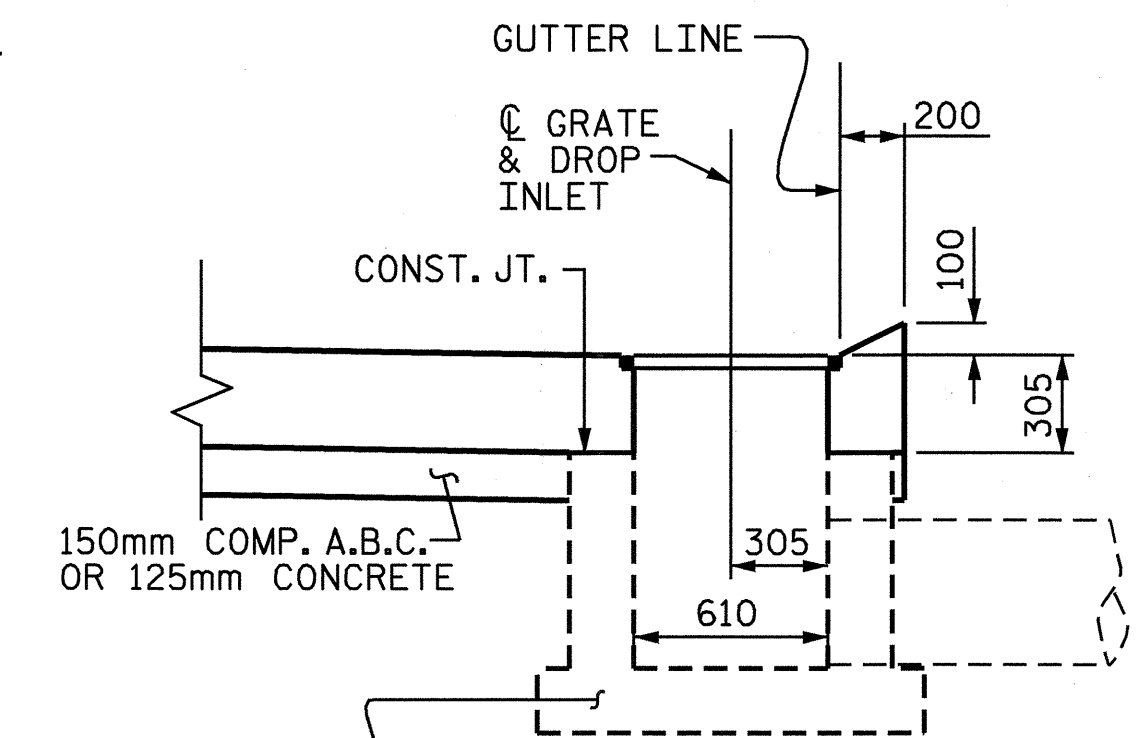
SECTION C-C
PRE-SAWED ELASTOMERIC CONCRETE DIMENSIONS



SECTION A-A

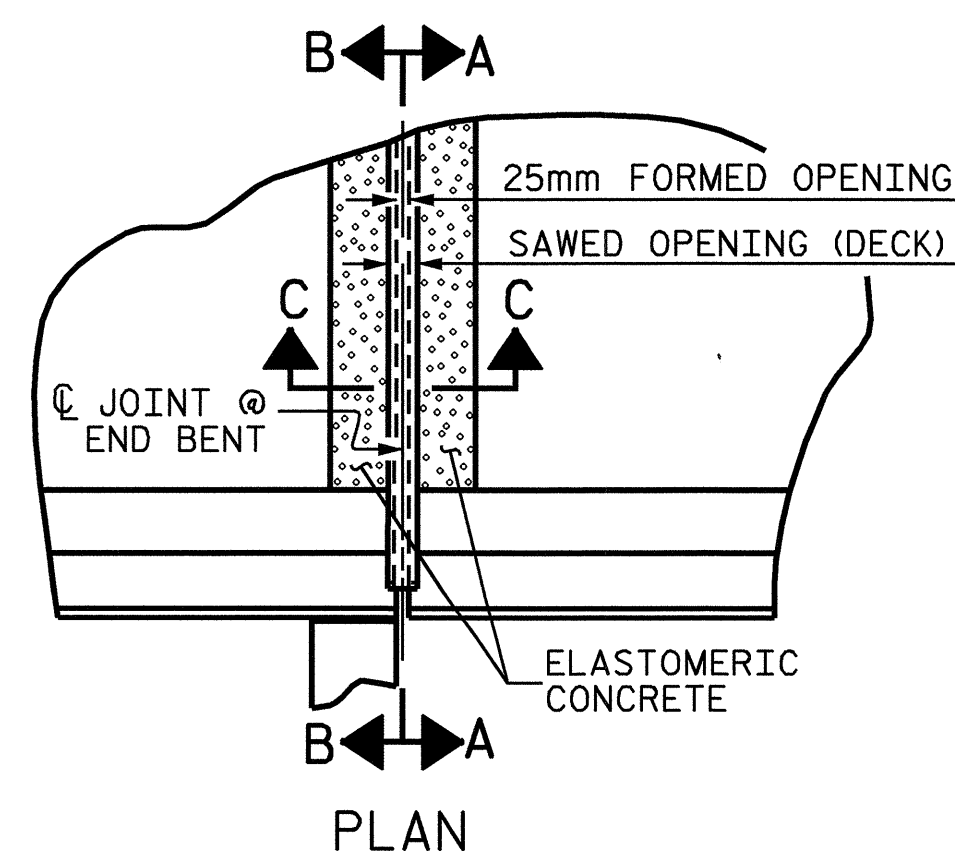


SECTION D-D



SECTION E-E

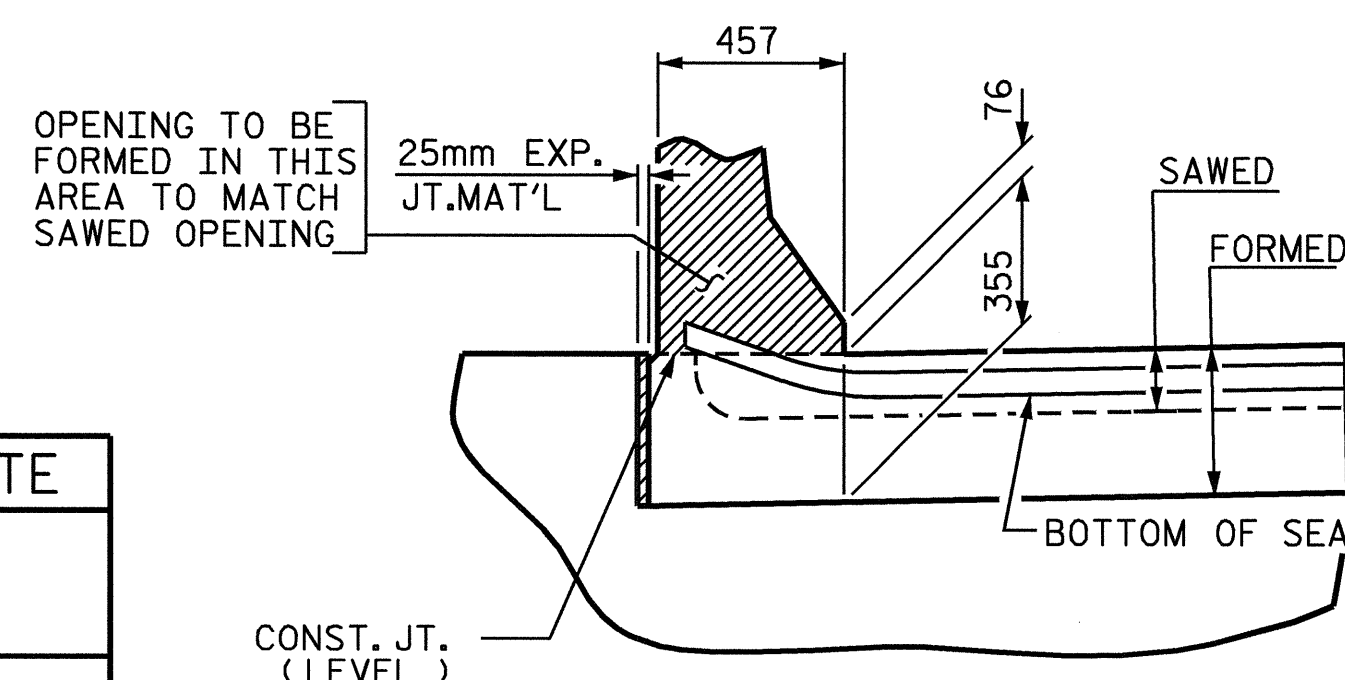
DROP INLET DETAILS



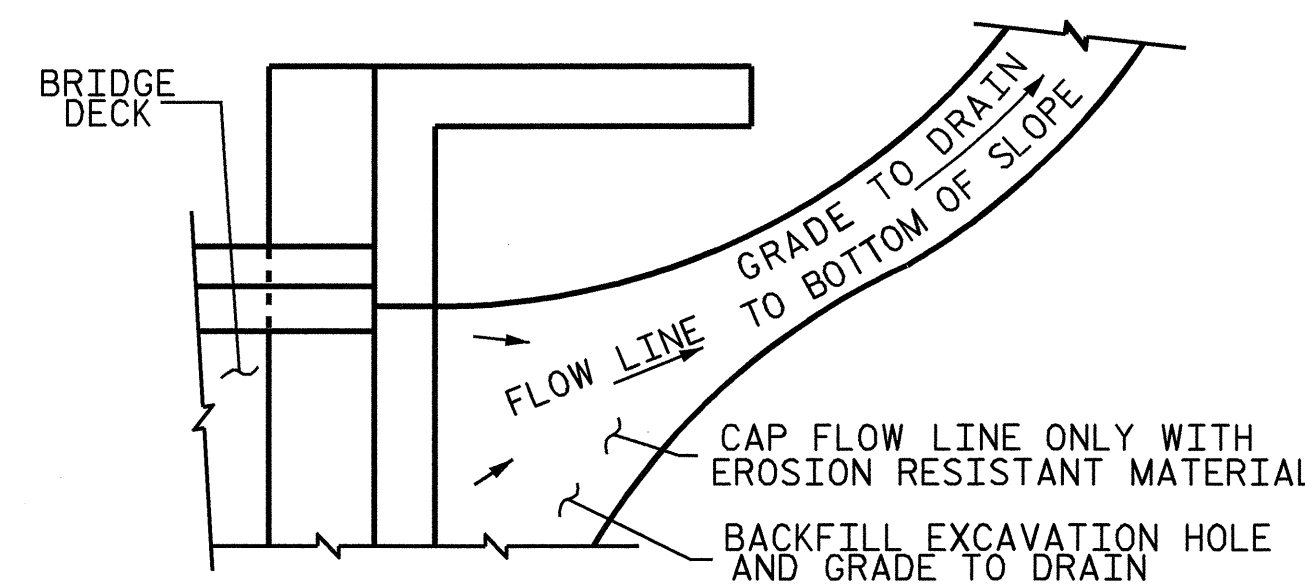
PLAN

ELASTOMERIC CONCRETE	
END BENT NO.	ELASTOMERIC CONCRETE * (CU. m)
1	0.17
2	0.17
TOTAL	0.34

* BASED ON THE MINIMUM BLOCKOUT SHOWN.



SECTION B-B



NOTE: IF THE APPROACH SLAB IS NOT CONSTRUCTED IMMEDIATELY AFTER THE BACKFILLING OF THE END BENT EXCAVATION, GRADE TO DRAIN TO THE BOTTOM OF THE SLOPE AND PROVIDE EROSION RESISTANT MATERIAL, SUCH AS FIBERGLASS ROVING OR AS DIRECTED BY THE ENGINEER TO PREVENT SOIL EROSION AND TO PROTECT THE AREA ADJACENT TO THE STRUCTURE. THE CONTRACTOR WILL BE REQUIRED TO REMOVE THESE MATERIALS PRIOR TO CONSTRUCTION OF THE APPROACH SLAB.

TEMPORARY DRAINAGE DETAIL

PROJECT NO. R-2206C
LINCOLN-CATAWBA COUNTY
STATION: 223+03.850 -L-

SHEET 4 OF 4

STATE OF NORTH CAROLINA
DEPARTMENT OF TRANSPORTATION
RALEIGH

STANDARD
BRIDGE APPROACH
SLAB DETAILS

LEFT LANE

REVISIONS				SHEET NO.
NO.	BY:	DATE:	NO.	DATE:
1			3	
2			4	

TOTAL SHEETS
374



ASSEMBLED BY: T.L. AVERETTE DATE: 06-04
CHECKED BY: P. ADKINS DATE: 06-04
DRAWN BY: FCJ 11/88
CHECKED BY: ARB 11/88

REV. 8/16/98 RAL/LES
REV. 10/17/00 RWW/LES
REV. 5/7/03 RWW/JTE