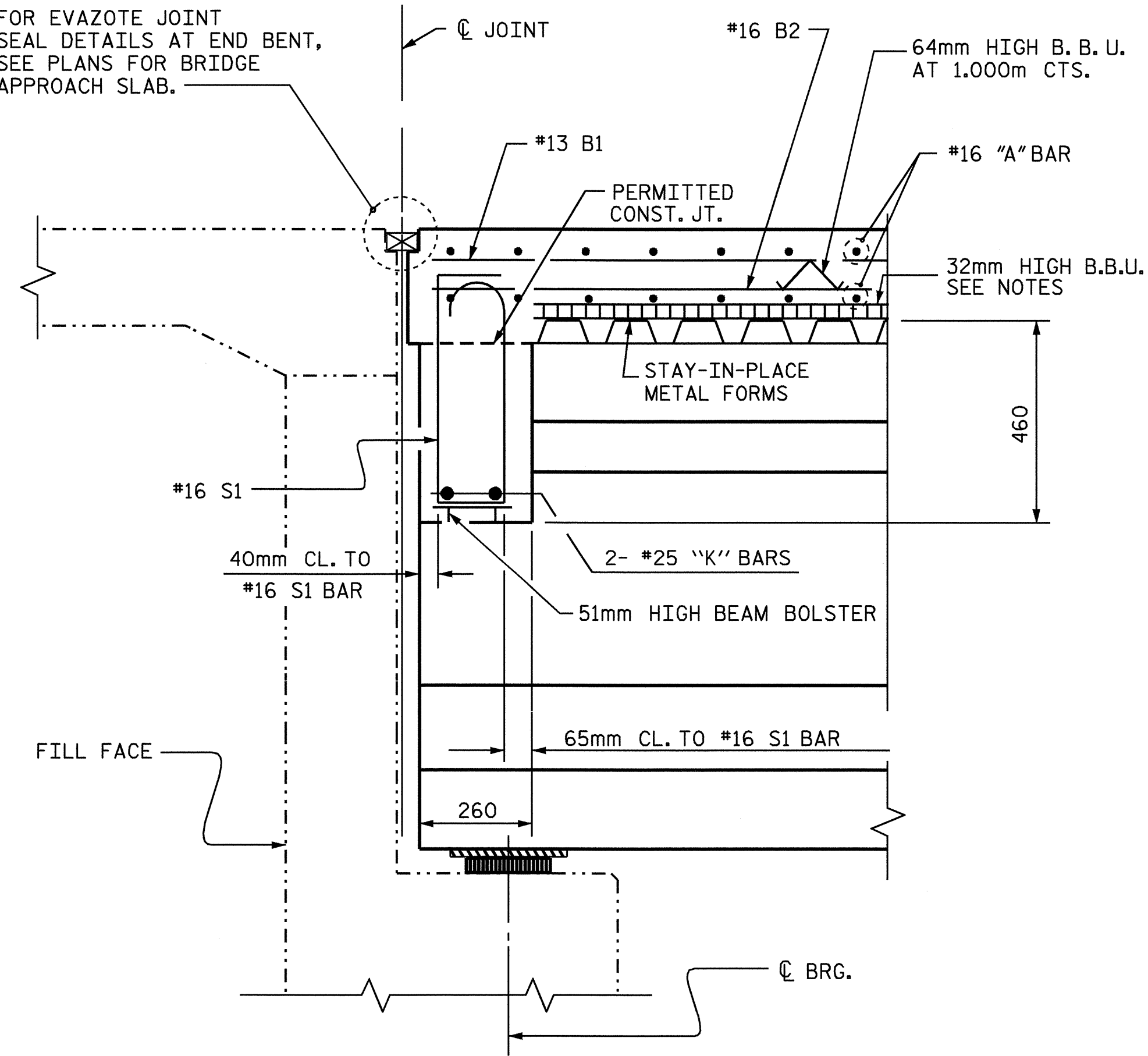
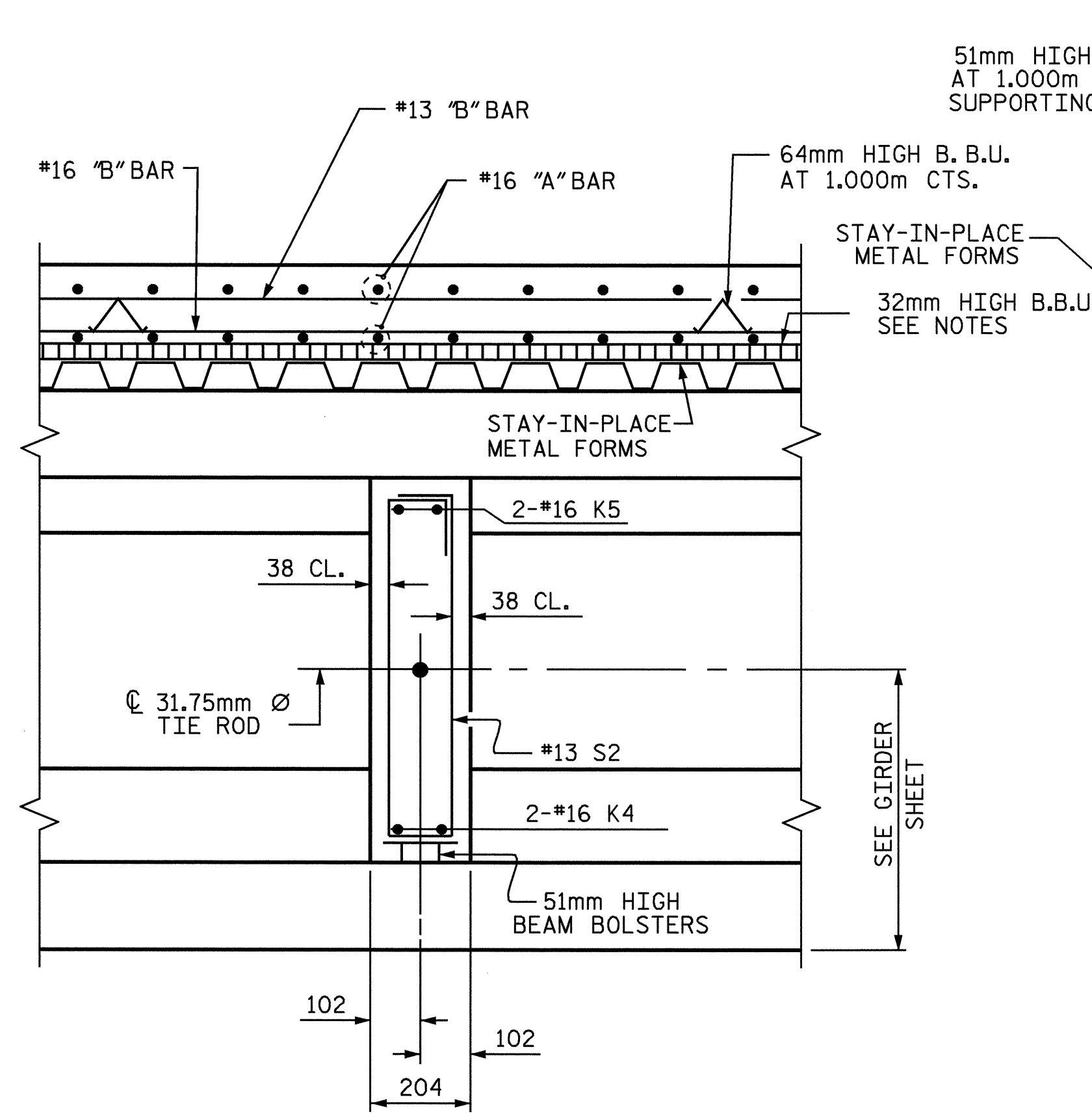


FOR EVAZOTE JOINT SEAL DETAILS AT END BENT, SEE PLANS FOR BRIDGE APPROACH SLAB.



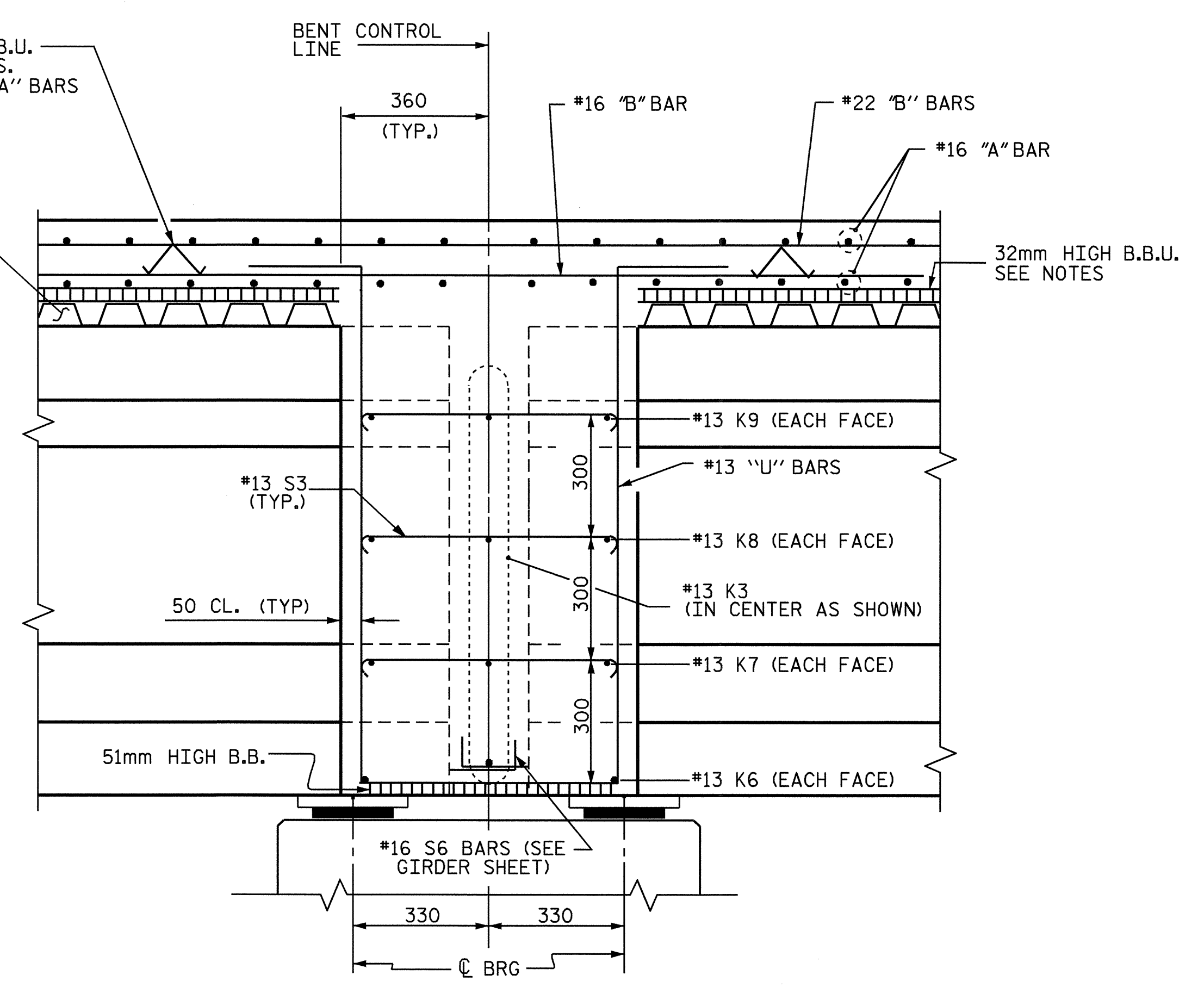
SECTION A-A

@ END BENT DIAPHRAGM



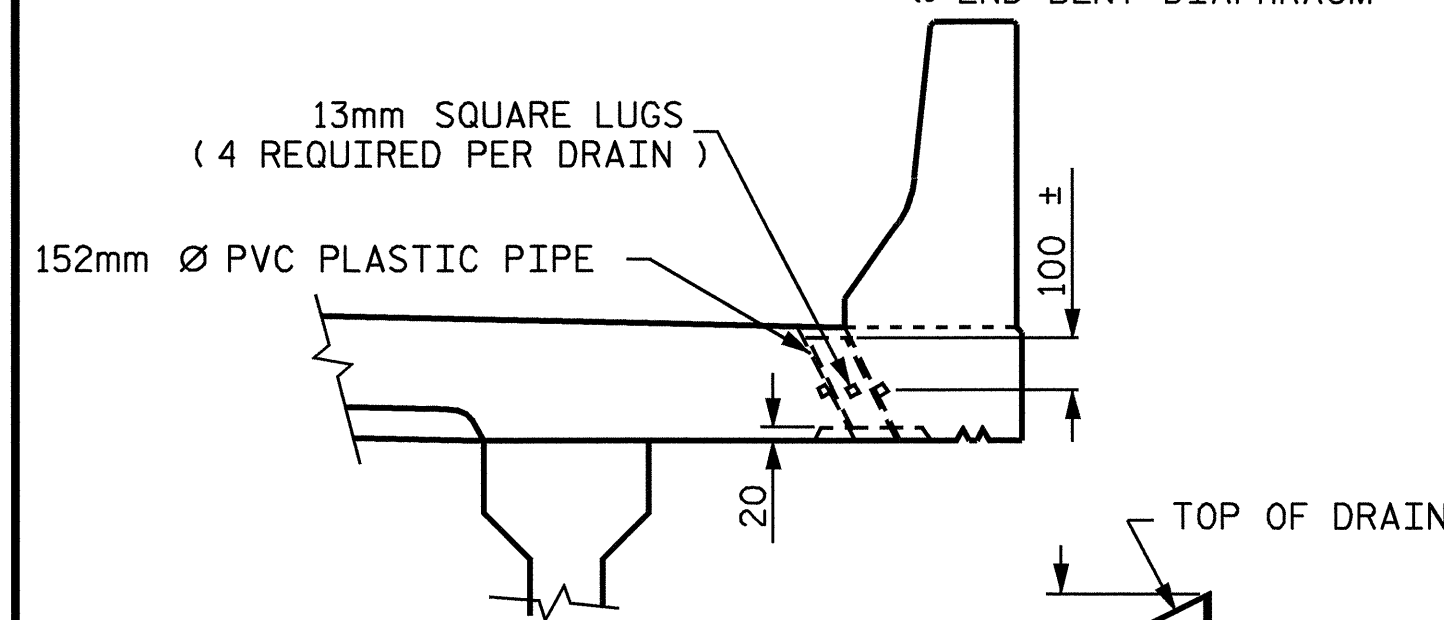
SECTION B-B

@ INTERMEDIATE DIAPHRAGM

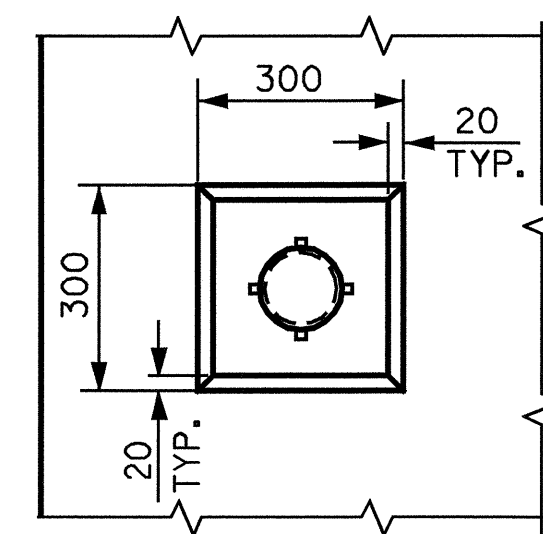


SECTION C-C

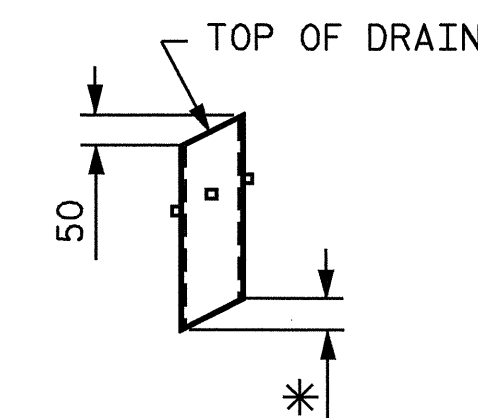
@ BENT DIAPHRAGM



ELEVATION



PLAN OF RECESS



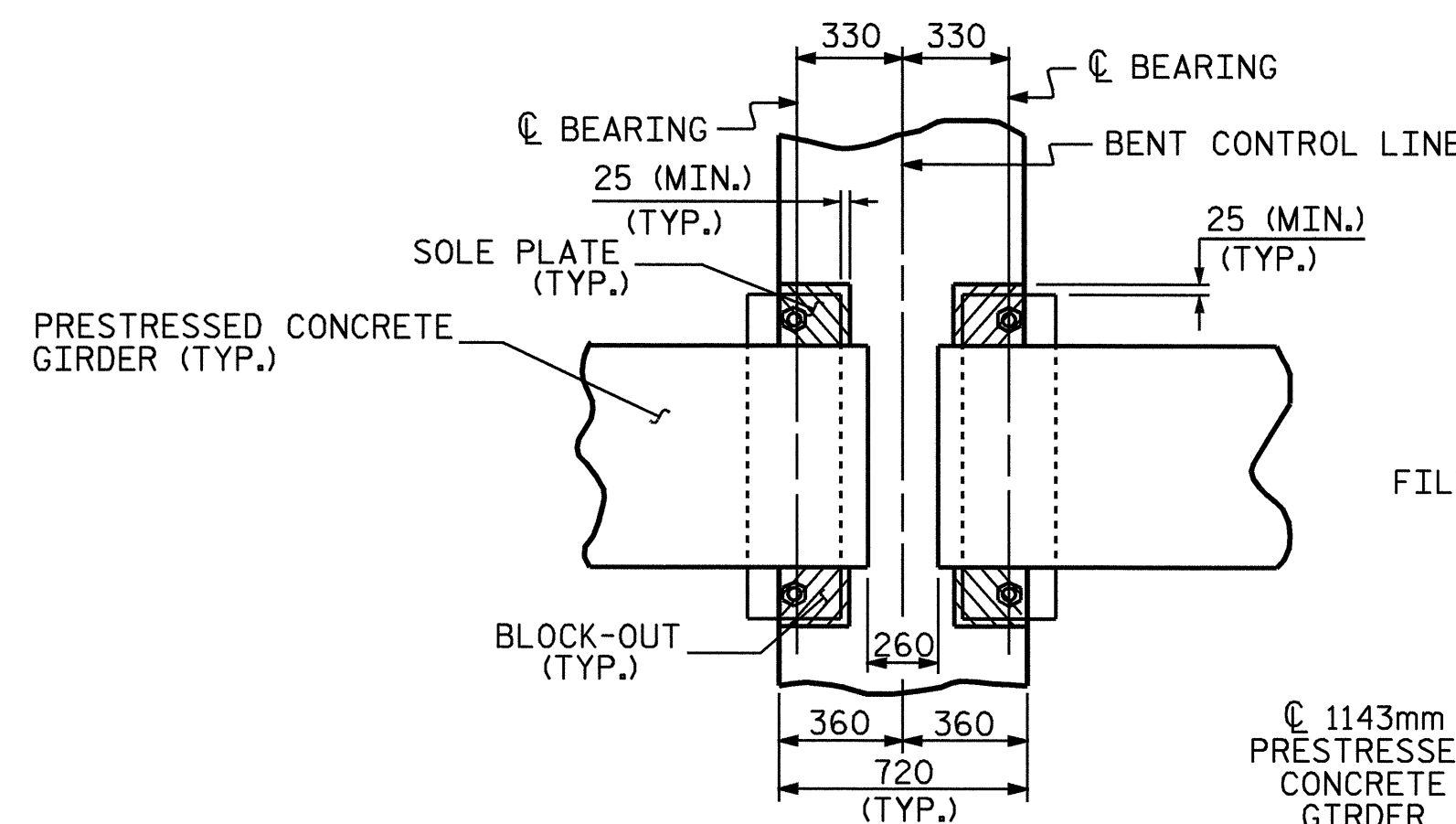
PIPE DETAIL

TOP OF FLOOR DRAINS TO SET 10mm BELOW SURFACE OF SLAB.

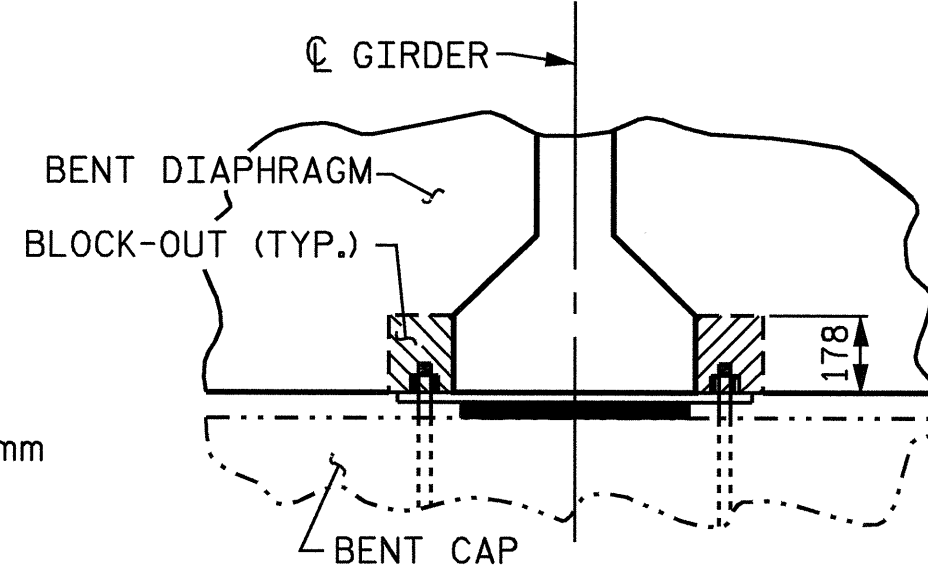
4 - 13mm SQUARE LUGS TO BE GLUED TO THE PVC PLASTIC PIPE AT EQUAL SPACES AROUND THE PIPE DRAIN APPROXIMATELY 100mm FROM THE TOP OF THE PIPE.

THE 152mm Ø PVC PIPE AND FITTINGS SHALL BE SCHEDULE 40 AND CONFORM TO ASTM D1785.

DRAIN DETAILS

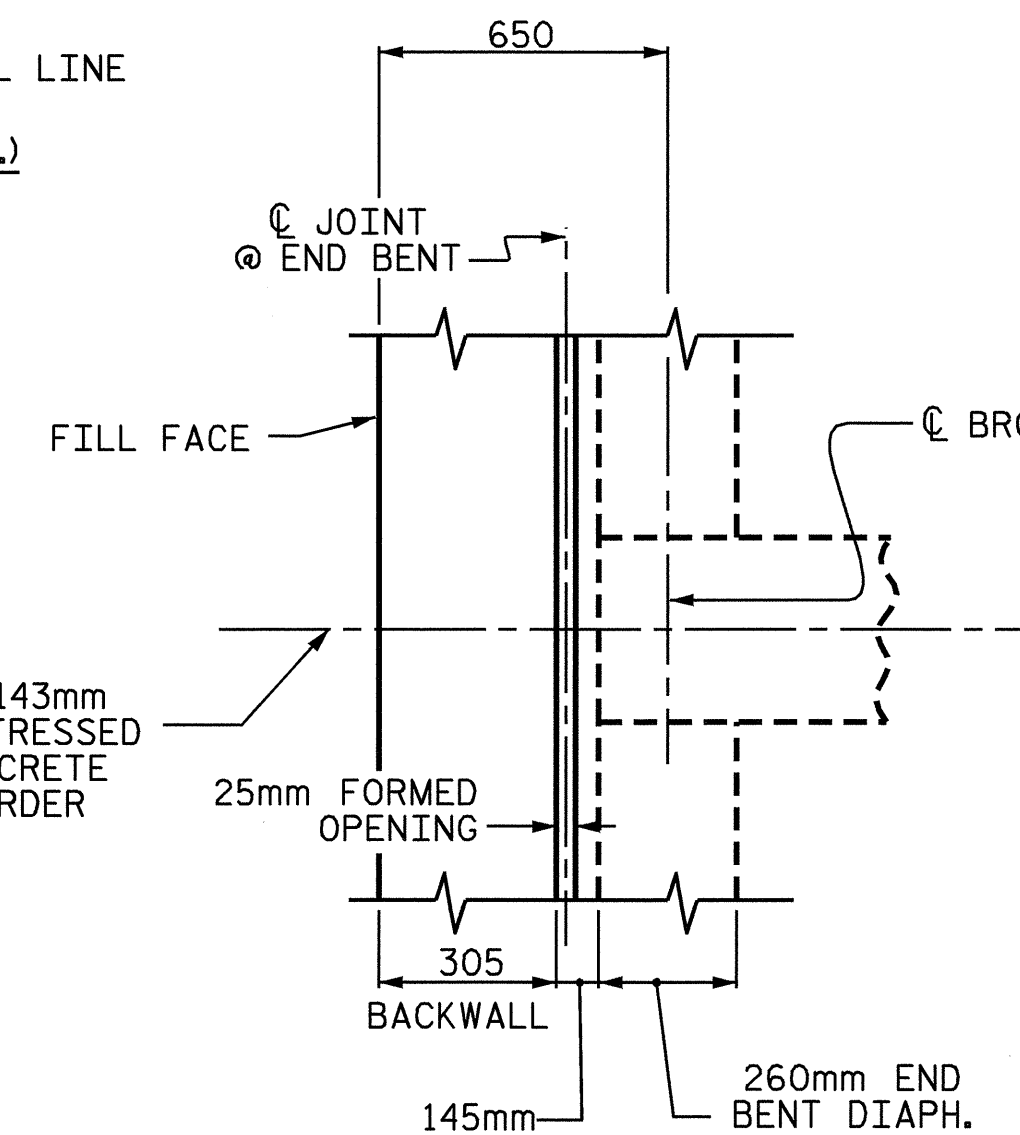


PLAN

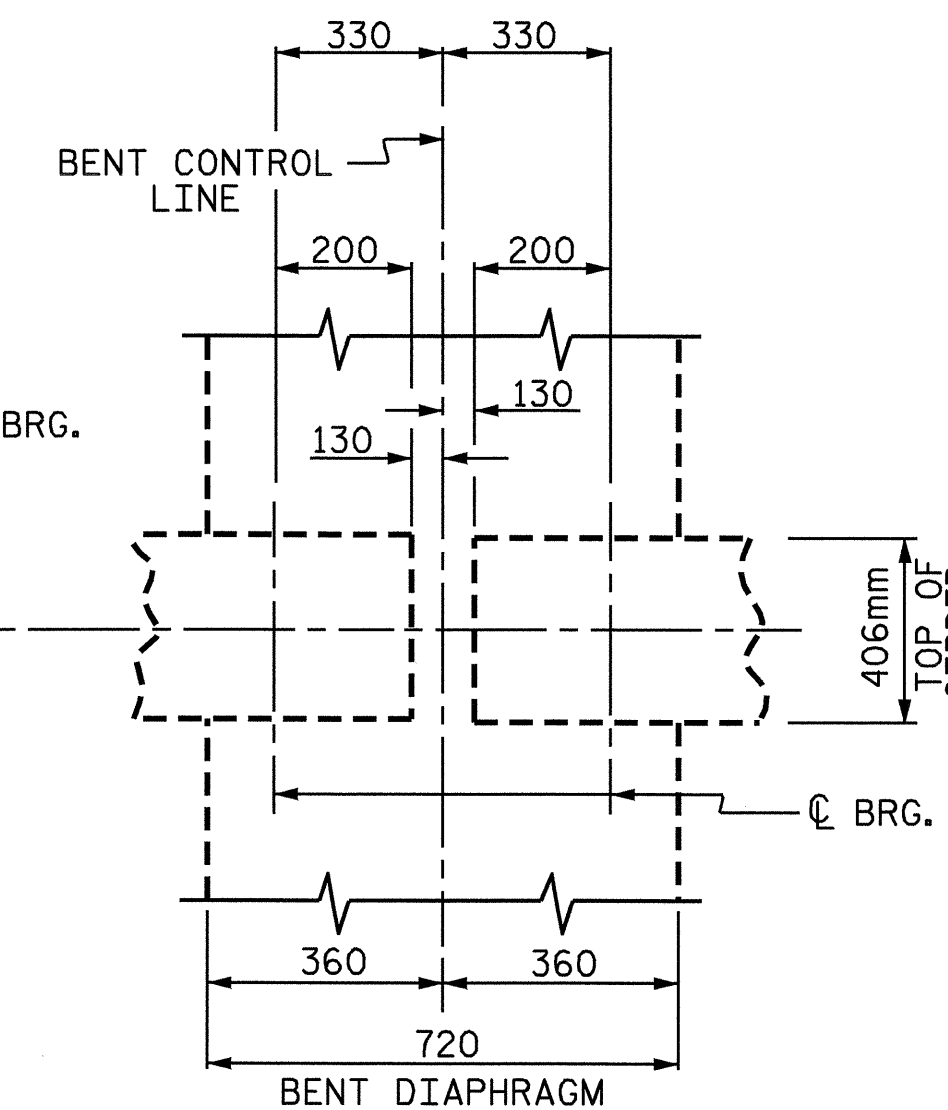


SECTION

BENT DIAPHRAGM BLOCKOUT DETAIL



END BENT DIAPHRAGM



BENT DIAPHRAGM

PROJECT NO. R-2206C
 LINCOLN-CATAWBA COUNTY
 STATION: 223+03.850 -L-

SHEET 3 OF 3

STATE OF NORTH CAROLINA
 DEPARTMENT OF TRANSPORTATION
 RALEIGH

SUPERSTRUCTURE
 TYPICAL SECTION
 DETAILS
 RIGHT LANE



9/16/04

REVISIONS						SHEET NO.
NO.	BY:	DATE:	NO.	BY:	DATE:	3-170
1			3			TOTAL SHEETS
2			4			374

DRAWN BY : PEGGY ADKINS DATE : 2-04
 CHECKED BY : T. AVERETTE DATE : 3-04

07-SEP-2004 11:37
 W:\squad\2206c\Final Plans\Str. 10\R2206C_SD_TS_10.dgn
 darutcher