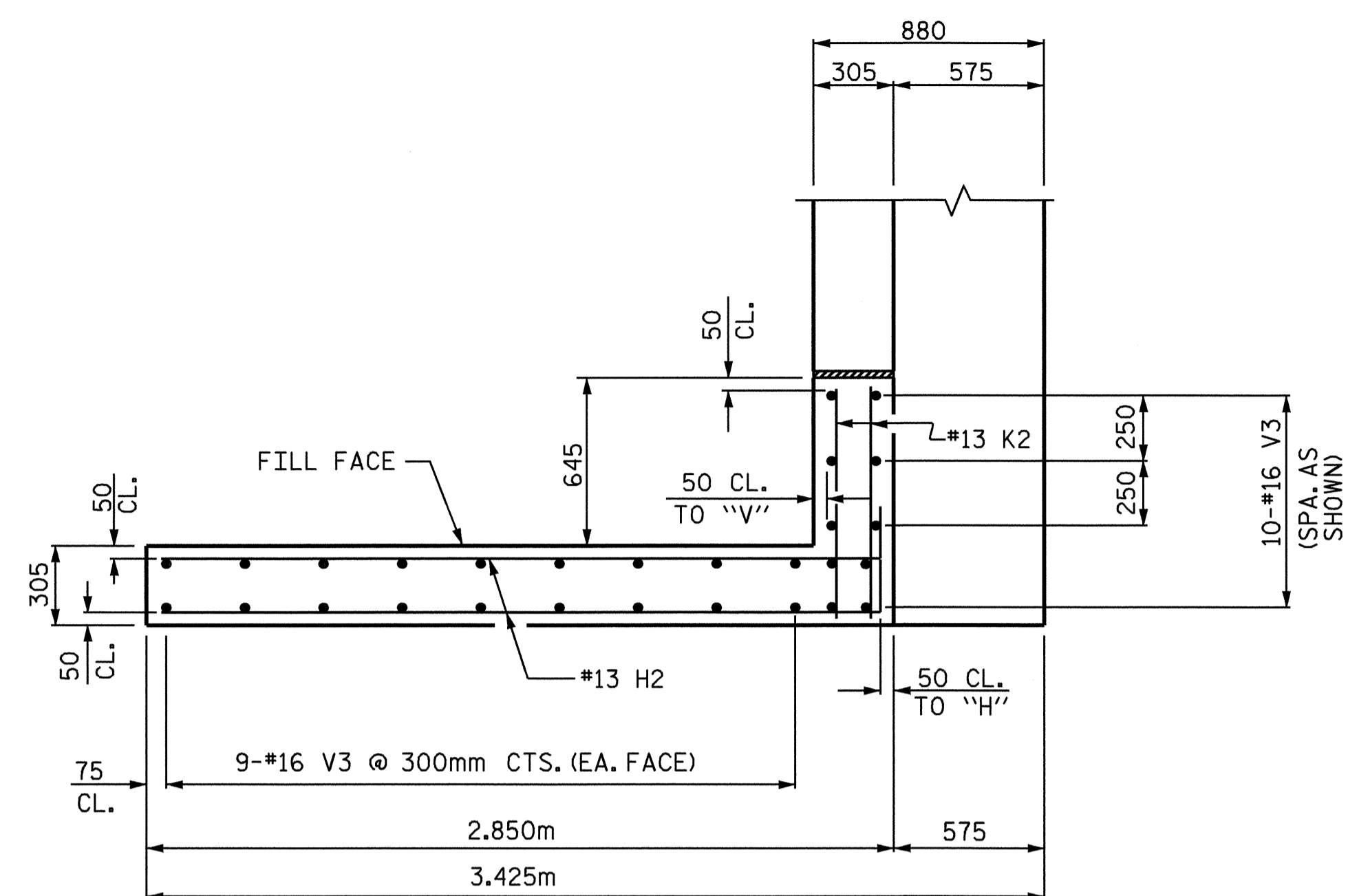
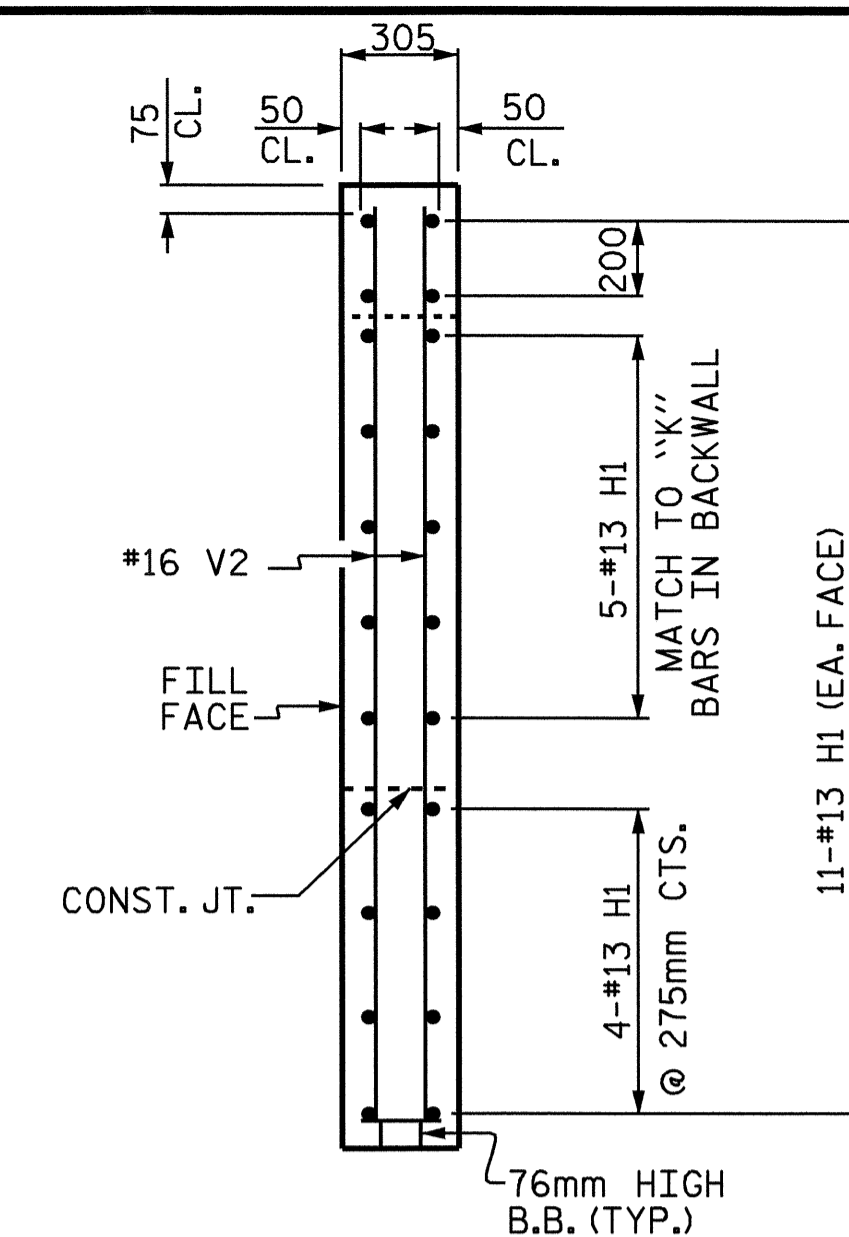


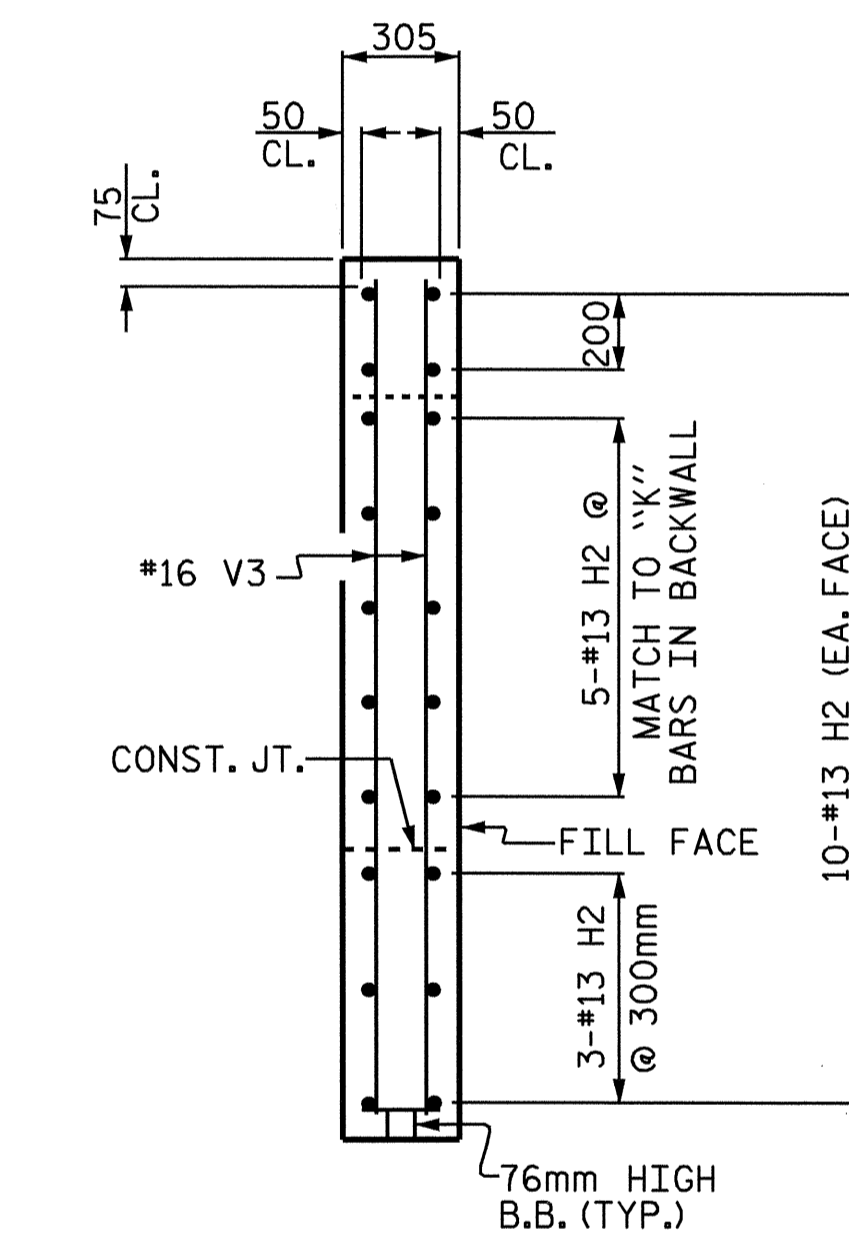
PLAN OF LEFT WING



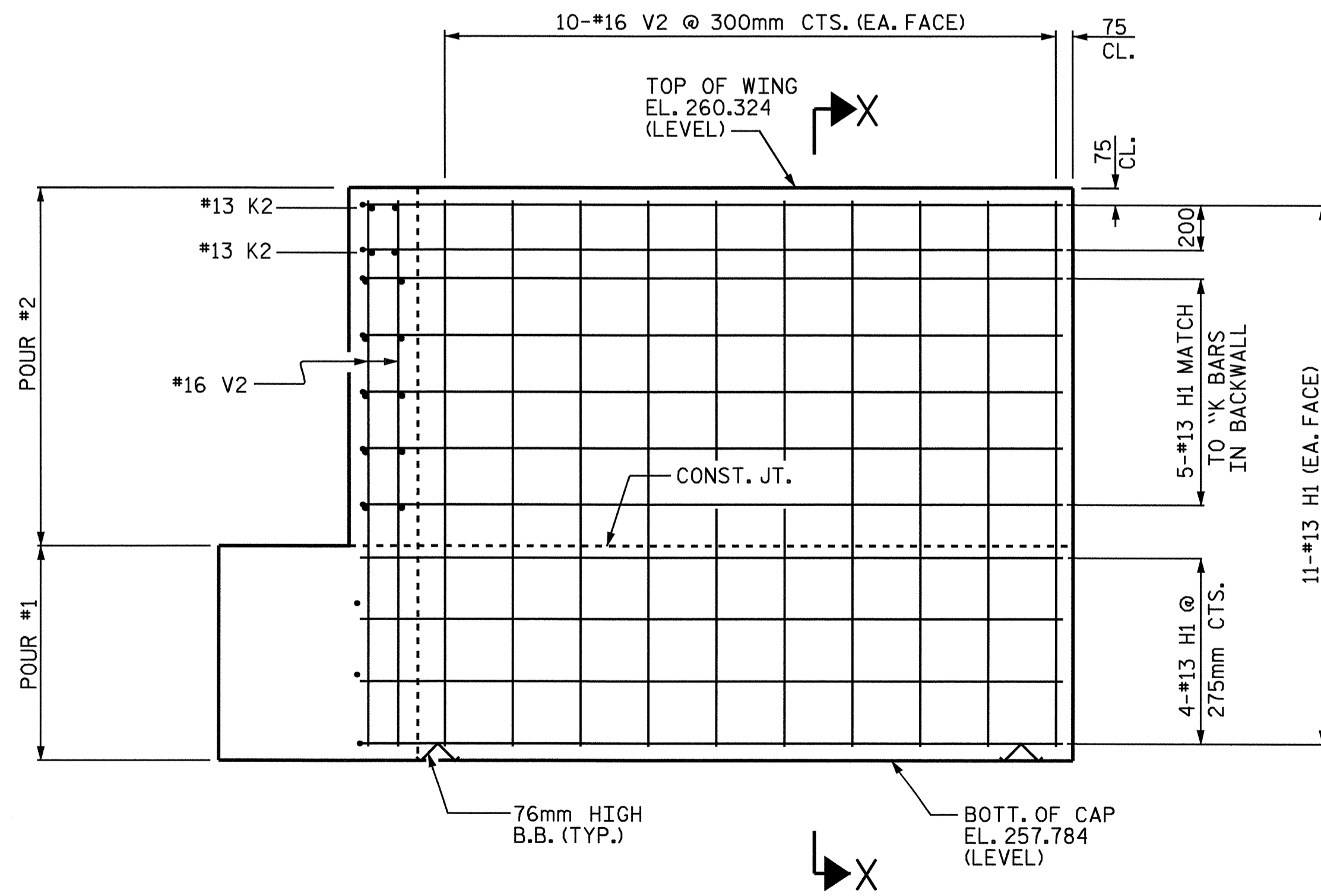
PLAN OF RIGHT WING



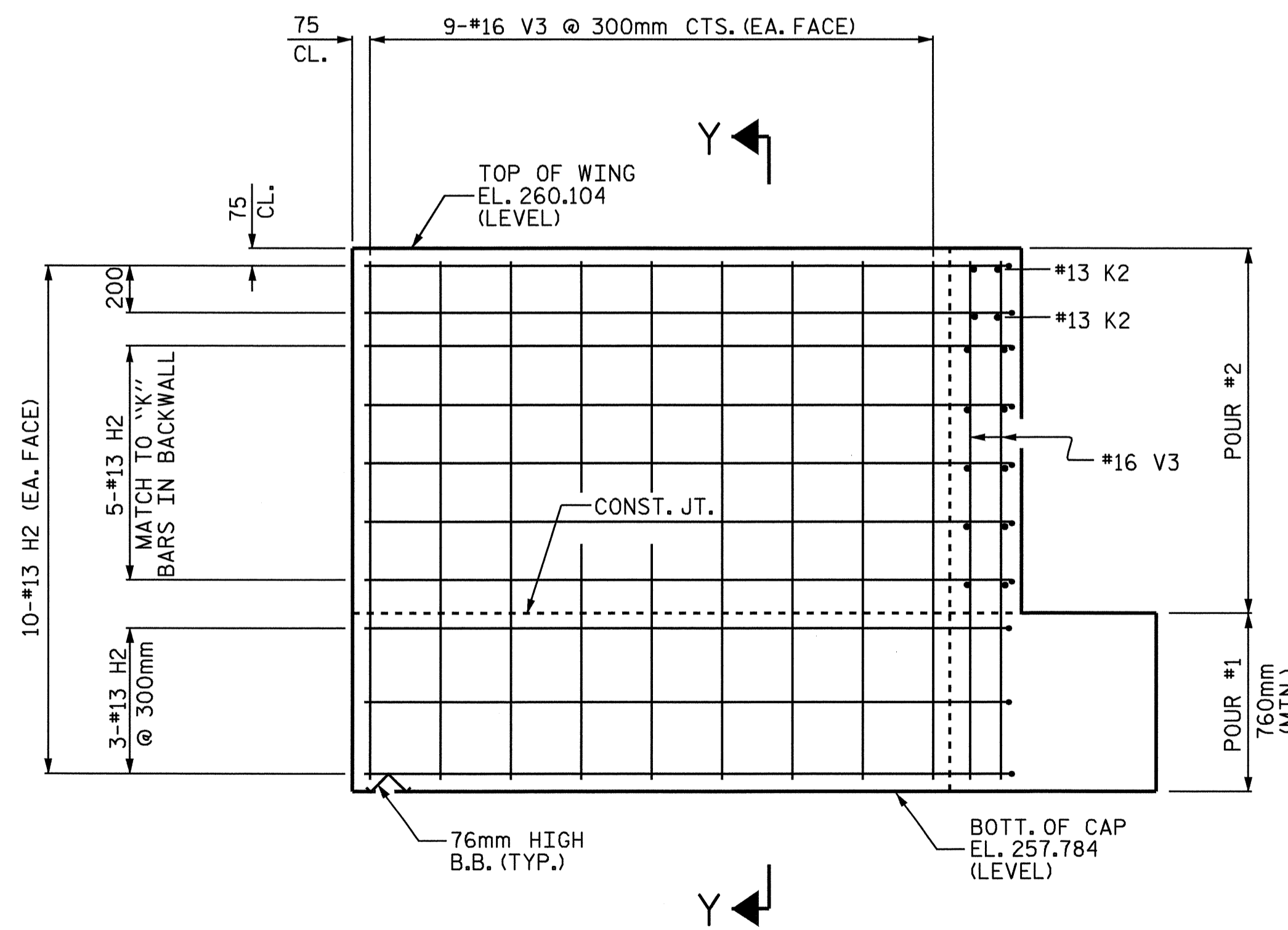
SECTION "X-X"



SECTION "Y-Y"



ELEVATION OF LEFT WING

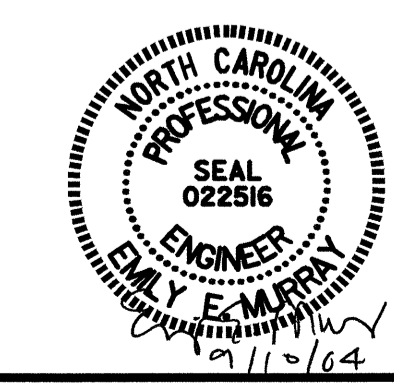


ELEVATION OF RIGHT WING

PROJECT NO. R-2206C
 LINCOLN-CATAWBA COUNTY
 STATION: 223+03.850-L-

SHEET 2 OF 3

STATE OF NORTH CAROLINA
 DEPARTMENT OF TRANSPORTATION
 RALEIGH
 SUBSTRUCTURE
 END BENT #1
 RIGHT LANE



DRAWN BY : M.D.PISO DATE : 03/2004
 CHECKED BY : P.ADKINS DATE : 07/2004

07-SEP-2004 11:02
 W:\squad\2206\Final Plans\Str. 10\2206c.sd_EBL10.dgn
 derutcher

REVISIONS			SHEET NO.		
NO.	BY:	DATE:	NO.	BY:	DATE:
1			3		
2			4		

TOTAL SHEETS: 374