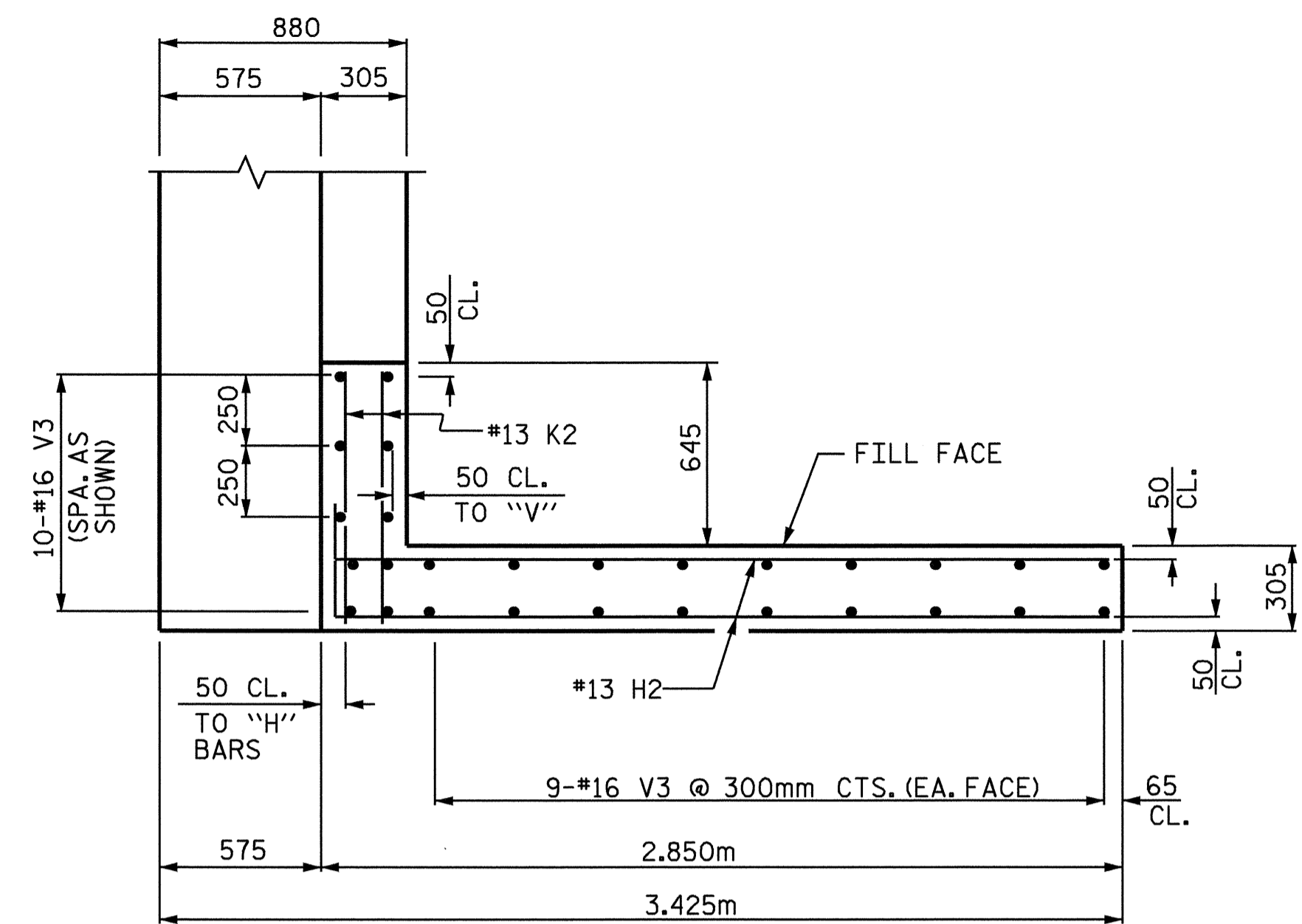
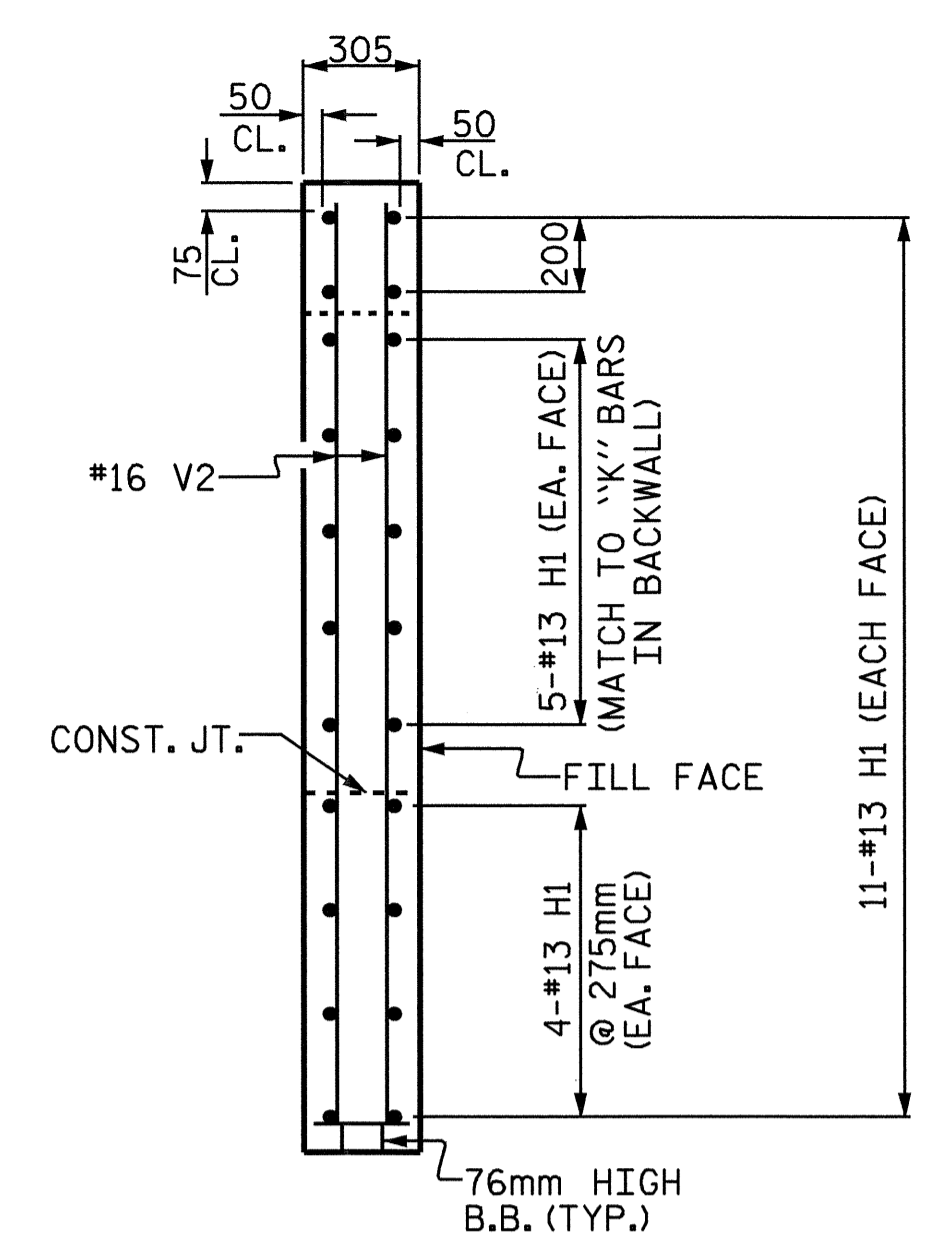


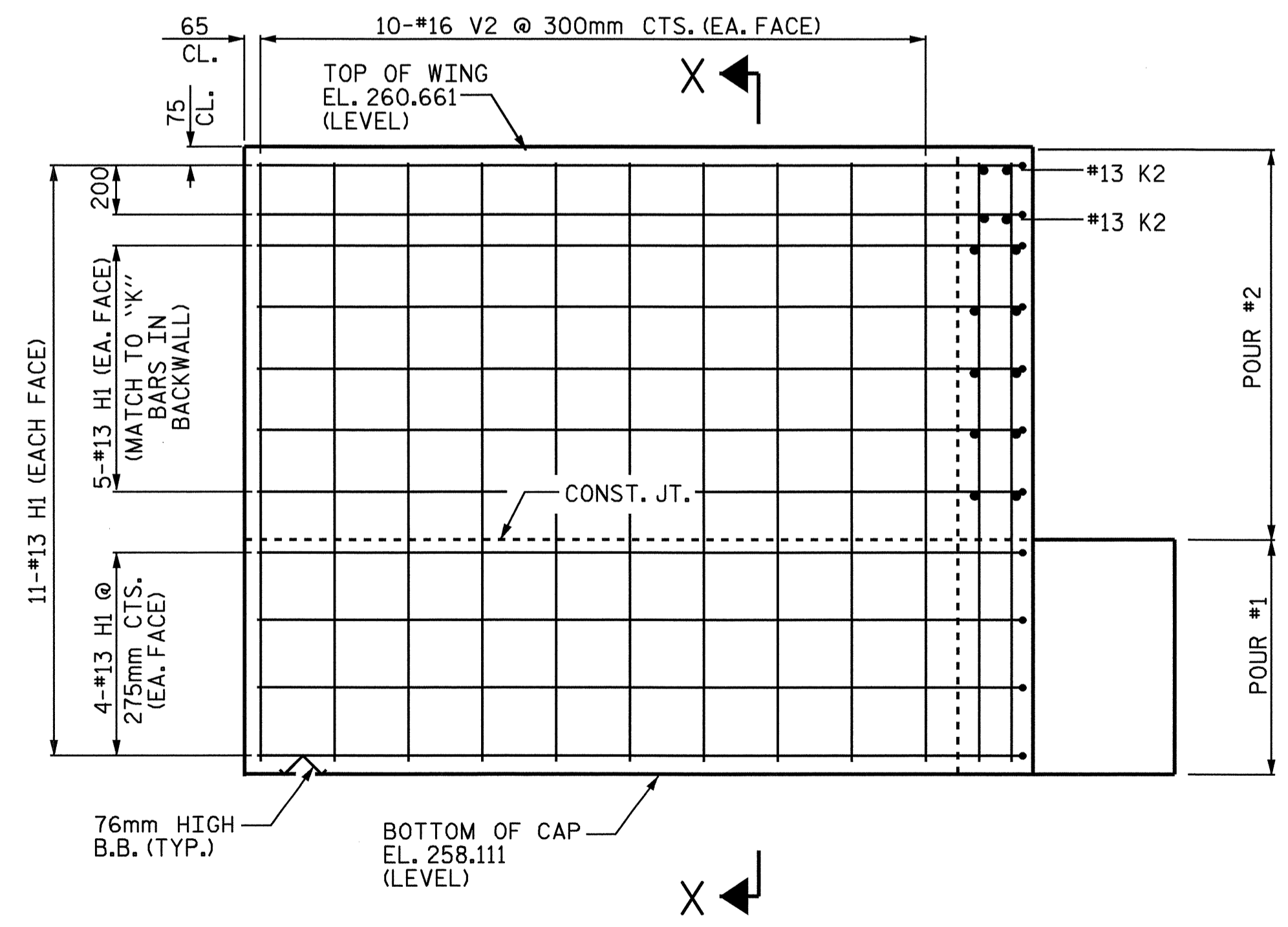
PLAN OF LEFT WING



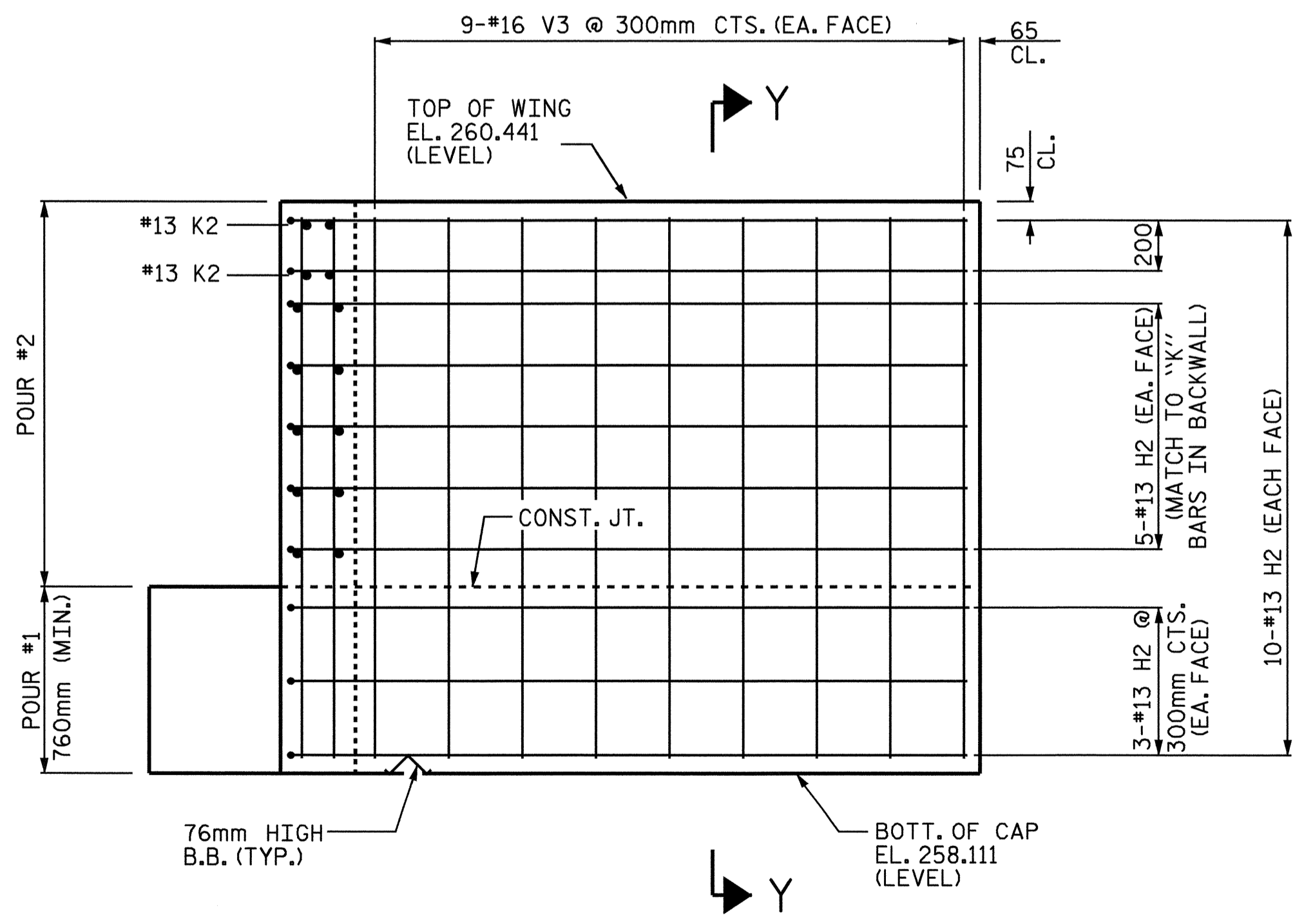
PLAN OF RIGHT WING



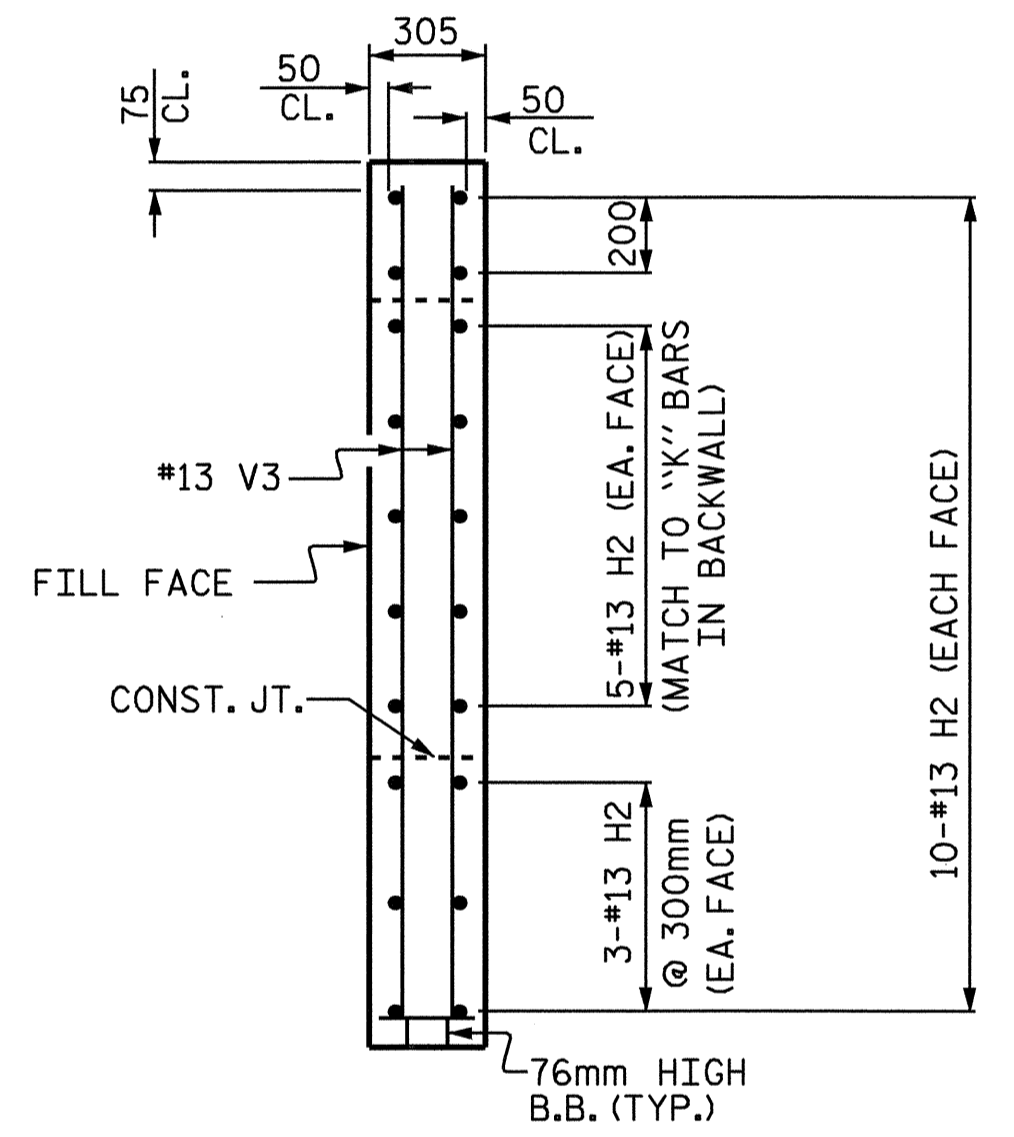
SECTION "X-X"



ELEVATION OF LEFT WING



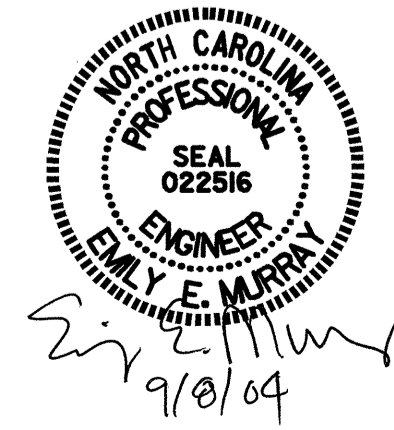
ELEVATION OF RIGHT WING



SECTION "Y-Y"

PROJECT NO. R-2206C  
 LINCOLN-CATAWBA COUNTY  
 STATION: 223+03.850-L-  
 SHEET 2 OF 3

STATE OF NORTH CAROLINA  
 DEPARTMENT OF TRANSPORTATION  
 RALEIGH  
 SUBSTRUCTURE  
 END BENT #2  
 RIGHT LANE



REVISIONS				SHEET NO.	
NO.	BY:	DATE:	NO.	BY:	DATE:
1			3		
2			4		

TOTAL SHEETS: 374

DRAWN BY : M.D.PISO DATE : 02/2004  
 CHECKED BY : P.ADKINS DATE : 07/2004