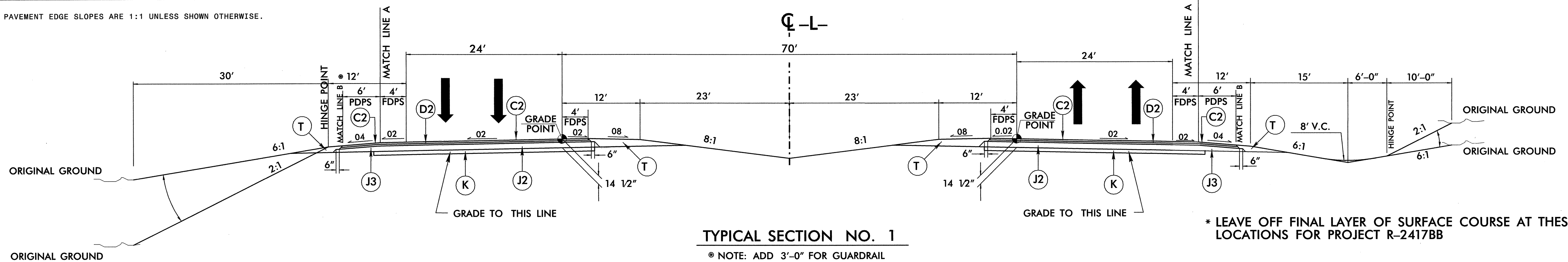
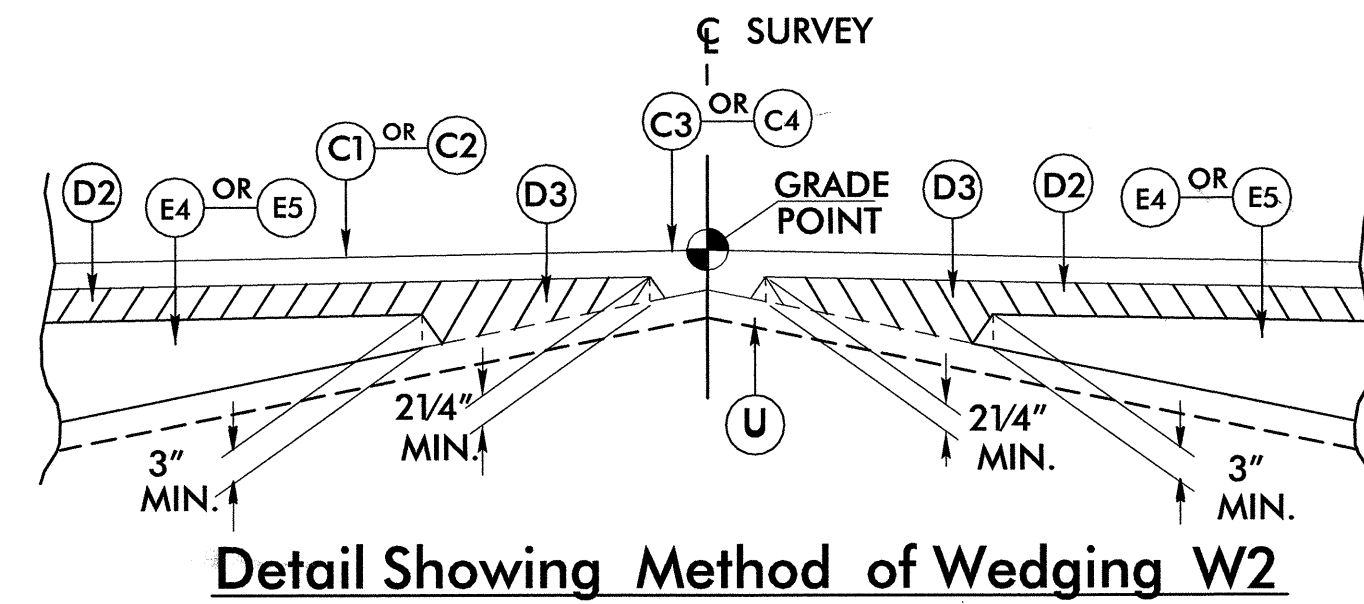
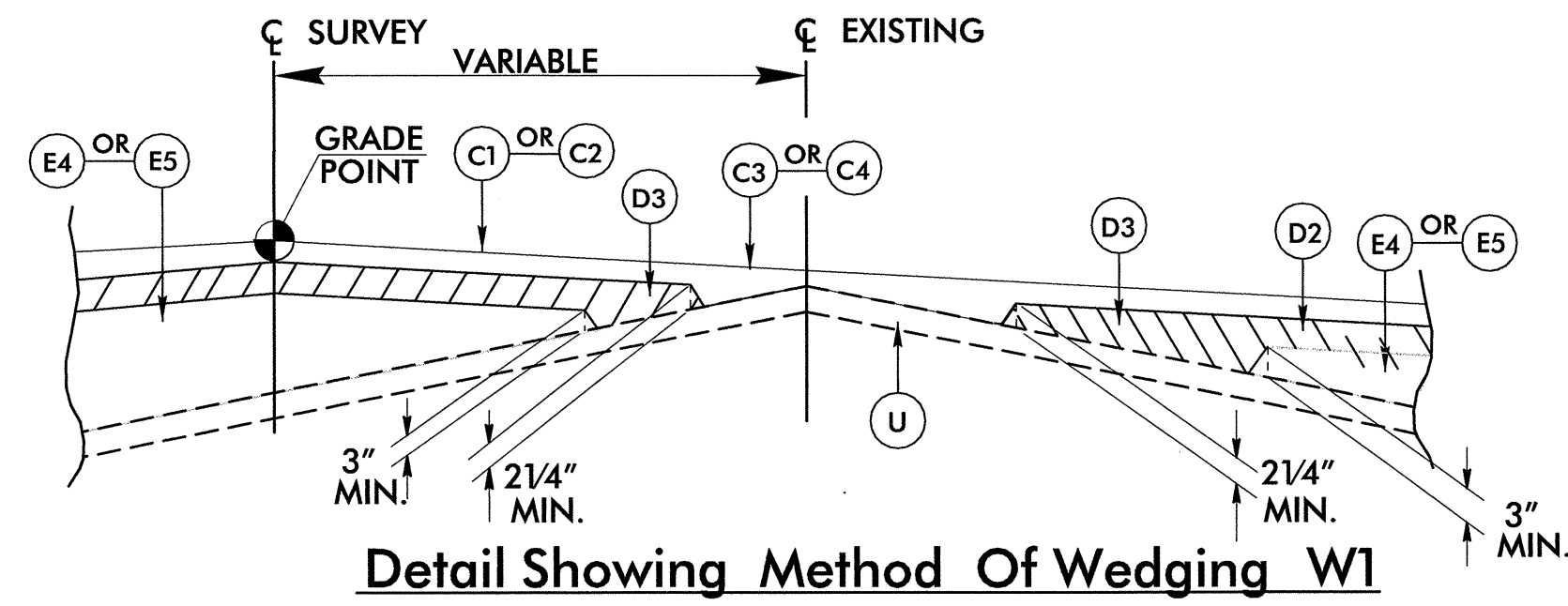


PAVEMENT SCHEDULE

C1	PROP. APPROX. 2 1/2" ASPHALT CONCRETE SURFACE COURSE, TYPE SF9.5A, AT AN AVERAGE RATE OF 137.5 LBS. PER SQ. YD. IN EACH OF TWO LAYERS.	J3	PROP. VARIABLE DEPTH AGGREGATE BASE COURSE.
C2	PROP. APPROX. 3" ASPHALT CONCRETE SURFACE COURSE, TYPE S9.5C, AT AN AVERAGE RATE OF 168 LBS. PER SQ. YD. IN EACH OF TWO LAYERS.	K	BASE TO TREATED WITH LIME TO A DEPTH OF 8", AT A RATE OF 20 LBS/YD2 AS DIRECTED BY THE ENGINEER OR BASE TO TREATED WITH CEMENT TO A DEPTH OF 7", AT A RATE OF 55 LBS/YD2 AS DIRECTED BY THE ENGINEER OR BASE TO TREATED WITH AGGREGATE AT A RATE OF 250 LBS./YD2 AND CEMENT TO A DEPTH OF 7", AT A RATE OF 55 LBS/YD2 AS DIRECTED BY THE ENGINEER
C3	PROP. VAR. DEPTH ASPHALT CONCRETE SURFACE COURSE, TYPE SF9.5A, AT AN AVERAGE RATE OF 110 LBS. PER SQ. YD. PER 1" DEPTH, TO BE PLACED IN LAYERS NOT LESS THAN 1 1/4" IN DEPTH OR GREATER THAN 1 3/4" IN DEPTH.		
C4	PROP. VAR. DEPTH ASPHALT CONCRETE SURFACE COURSE, TYPE S9.5C, AT AN AVERAGE RATE OF 112 LBS. PER SQ. YD. PER 1" DEPTH, TO BE PLACED IN LAYERS NOT LESS THAN 1 1/2" IN DEPTH OR GREATER THAN 1 3/4" IN DEPTH.		
D1	PROP. APPROX. 2 1/4" ASPHALT CONCRETE INTERMEDIATE COURSE, TYPE I19.0C, AT AN AVERAGE RATE OF 256.5 LBS. PER SQ. YD.	P	PRIME COAT AT THE RATE OF .35 GAL. PER SQ. YD.
D2	PROP. APPROX. 3 1/2" ASPHALT CONCRETE INTERMEDIATE COURSE, TYPE I19.0C, AT AN AVERAGE RATE OF 399 LBS. PER SQ. YD.	R1	2'-6" CONCRETE CURB AND GUTTER.
D3	PROP. VAR. DEPTH ASPHALT CONCRETE INTERMEDIATE COURSE, TYPE I19.0C, AT AN AVERAGE RATE OF 114 LBS. PER SQ. YD. PER 1" DEPTH, TO BE PLACED IN LAYERS NOT LESS THAN 2 1/4" IN DEPTH OR GREATER THAN 4" IN DEPTH.	R2	5" MONOLITHIC CONCRETE ISLAND (KEYED-IN)
E1	PROP. APPROX. 4" ASPHALT CONCRETE BASE COURSE, TYPE B25.0B, AT AN AVERAGE RATE OF 456 LBS. PER SQ. YD.	R3	CONCRETE VALLEY GUTTER
E2	PROP. APPROX. 4" ASPHALT CONCRETE BASE COURSE, TYPE B25.0C, AT AN AVERAGE RATE OF 456 LBS. PER SQ. YD.	R4	SHOULDER BERM GUTTER
E3	PROP. APPROX. 8" ASPHALT CONCRETE BASE COURSE, TYPE B25.0C, AT AN AVERAGE RATE OF 456 LBS. PER SQ. YD. IN EACH OF TWO LAYERS.	R5	8"x18" CONCRETE CURB
E4	PROP. VAR. DEPTH ASPHALT CONCRETE BASE COURSE, TYPE B25.0B, AT AN AVERAGE RATE OF 114 LBS. PER SQ. YD. PER 1" DEPTH, TO BE PLACED IN LAYERS NOT LESS THAN 3" IN DEPTH OR GREATER THAN 5 1/2" IN DEPTH.	T	EARTH MATERIAL.
E5	PROP. VAR. DEPTH ASPHALT CONCRETE BASE COURSE, TYPE B25.0C, AT AN AVERAGE RATE OF 114 LBS. PER SQ. YD. PER 1" DEPTH, TO BE PLACED IN LAYERS NOT LESS THAN 3" IN DEPTH OR GREATER THAN 5 1/2" IN DEPTH.	U	EXISTING PAVEMENT.
J1	PROP. 6" AGGREGATE BASE COURSE.	W1	VARIABLE DEPTH ASPHALT PAVEMENT
J2	PROP. 8" AGGREGATE BASE COURSE.	W2	VARIABLE DEPTH ASPHALT PAVEMENT

NOTE: PAVEMENT EDGE SLOPES ARE 1:1 UNLESS SHOWN OTHERWISE.



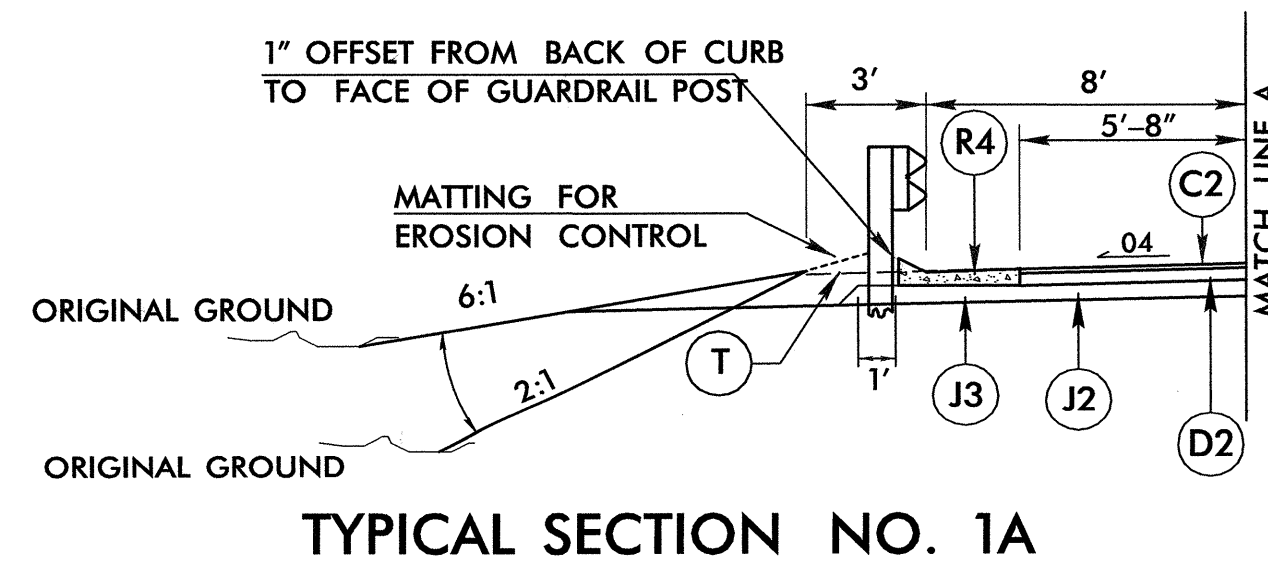
TYPICAL SECTION NO. 1

* NOTE: ADD 3'-0" FOR GUARDRAIL

USE TYPICAL SECTION NO. 1

- L- STA. 147+34.923 TO -L- STA. 147+72.000 (METRIC)
- L- STA. 484+64.47 TO -L- STA. 551+09.69
- * -L- STA. 551+09.69 TO -L- STA. 564+78.65 (BEGIN BRIDGE LT & RT)
- * -L- STA. 566+20.65 (END BRIDGE LT & RT) TO -L- STA. 574+75.98
- * -L- STA. 574+75.98 TO -L- STA. 576+28.84 (CONST.) GRADING ONLY

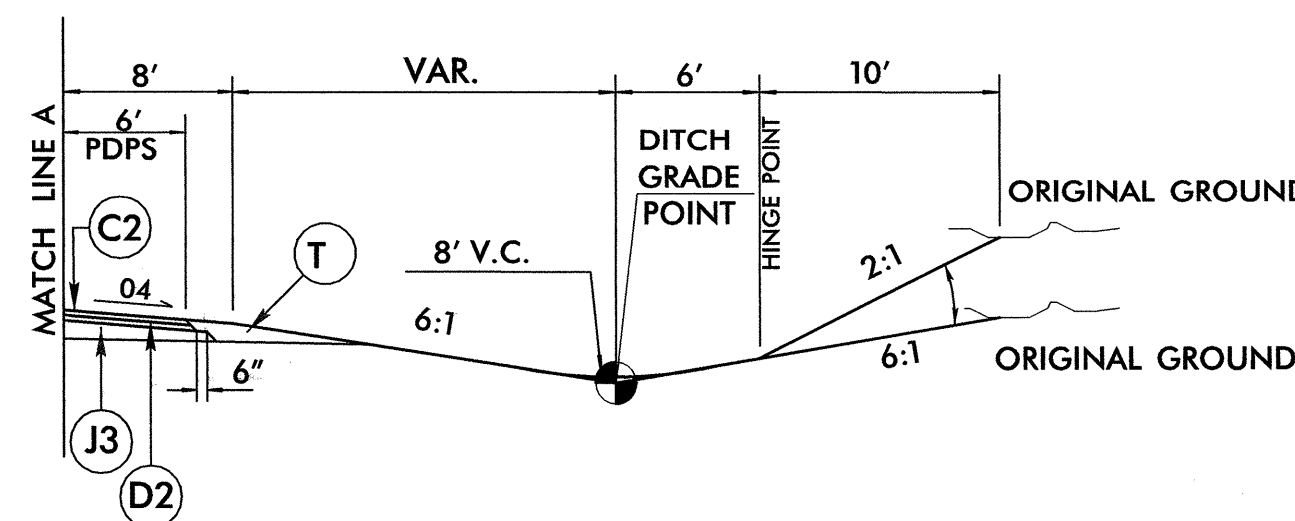
- L- 137+63.566 TO 147+34.923 RT (METRIC)
 - L- 138+14.209 TO 147+34.923 LT (METRIC)
 - RPA- 11+61.577 TO 16+06.217 (METRIC)
 - RPD- 11+32.839 TO 14+17.022 (METRIC)
- FINAL LAYER OF SURFACE COURSE TO BE APPLIED FOR PROJECT R-2417BA AT THESE LOCATIONS



TYPICAL SECTION NO. 1A

USE TYPICAL SECTION NO. 1A IN CONJUNCTION WITH TYPICAL SECTION NO. 1 & 5

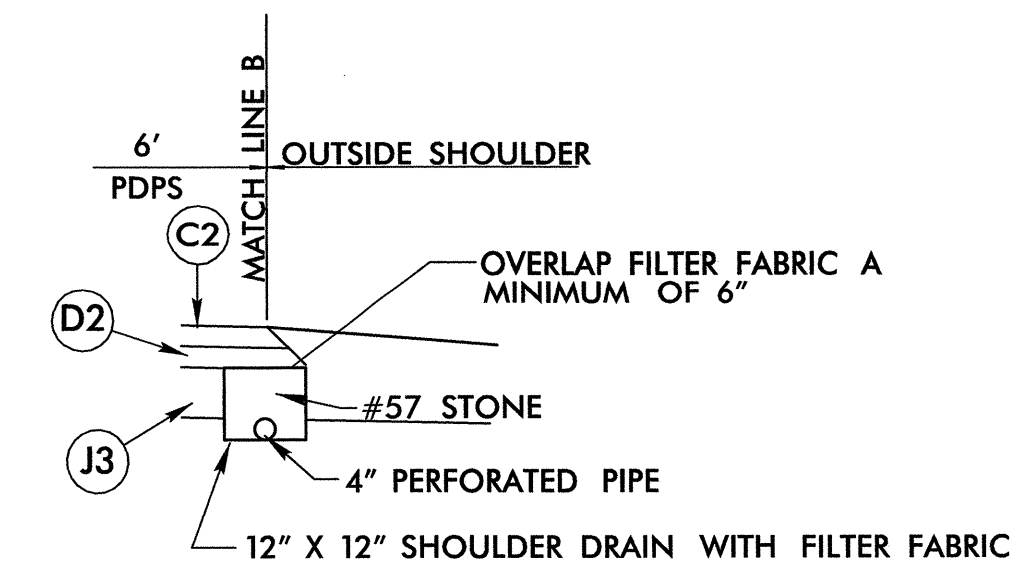
- L- STA. 499+50.00 LT TO -L- STA. 514+00.00 LT
- L- STA. 510+00.00 RT TO -L- STA. 513+50.00 RT
- L- STA. 532+90.00 RT TO -L- STA. 535+00.00 RT
- L- STA. 541+50.00 RT TO -RPC- STA. 5+50.00 RT
- L- STA. 566+44.55 RT TO -L- STA. 574+75.98 RT
- L- STA. 566+44.55 LT TO -L- STA. 574+75.98 LT



TYPICAL SECTION NO. 1B

USE TYPICAL SECTION NO. 1B IN CONJUNCTION WITH TYPICAL SECTION NO. 1

- L- STA. 515+50.00+/- LT. TO -L- STA. 516+50.00 LT.
- L- STA. 514+50.00+/- RT. TO -L- STA. 517+00.00 RT.



TYPICAL SECTION NO. 1C

USE TYPICAL SECTION NO. 1C IN CONJUNCTION WITH TYPICAL SECTION NO. 1

- L- STA. 528+90 RT TO -L- STA. 532+90 RT

PROJECT REFERENCE NO. R-2417BB	SHEET NO. 2
ROADWAY DESIGN ENGINEER	PAVEMENT DESIGN ENGINEER
<small>4915 Waters Edge Dr. Suite 295 Raleigh, N.C. 27606 Bus: 919 851 8077 Fax: 919 851 8107</small>	
<small>TRANSPORTATION PLANNING/DESIGN - BRIDGE/STRUCTURE DESIGN CIVIL/SITE DESIGN - GIS/GPS - CONSTRUCTION OBSERVATION</small>	