

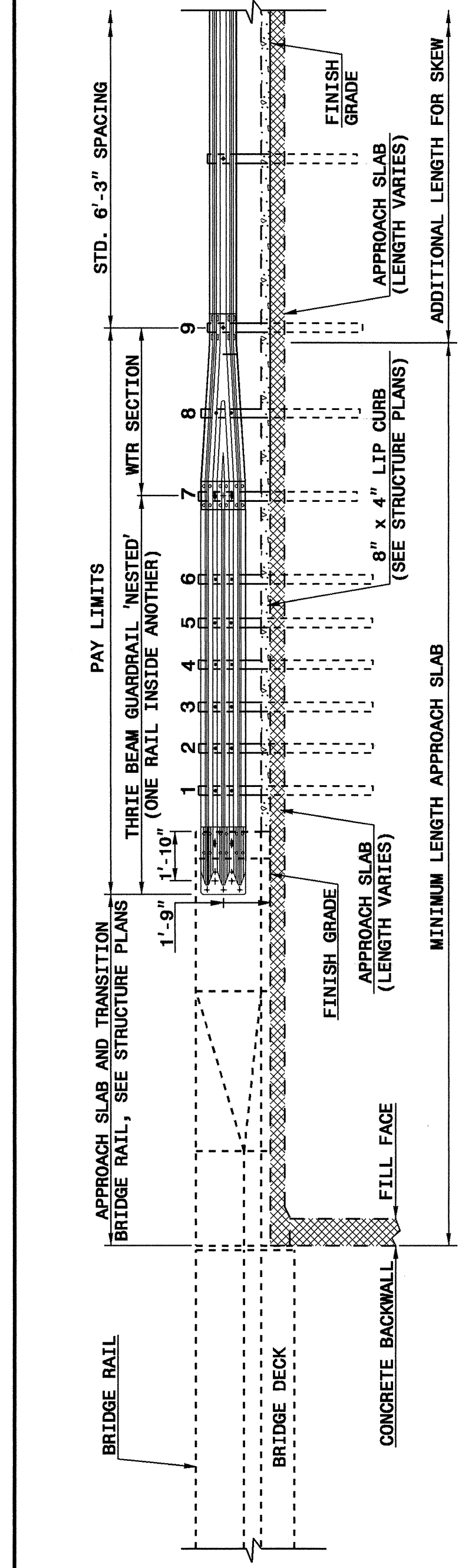
I:\APR-2004\1548
 W:\Special Details\projward\stds\02\stds to Special Details\english\862d03\0862d03.dgn
 erickward AT 05212260

5/14/99

STATE OF NORTH CAROLINA
 DEPT. OF TRANSPORTATION
 DIVISION OF HIGHWAYS
 RALEIGH, N.C.

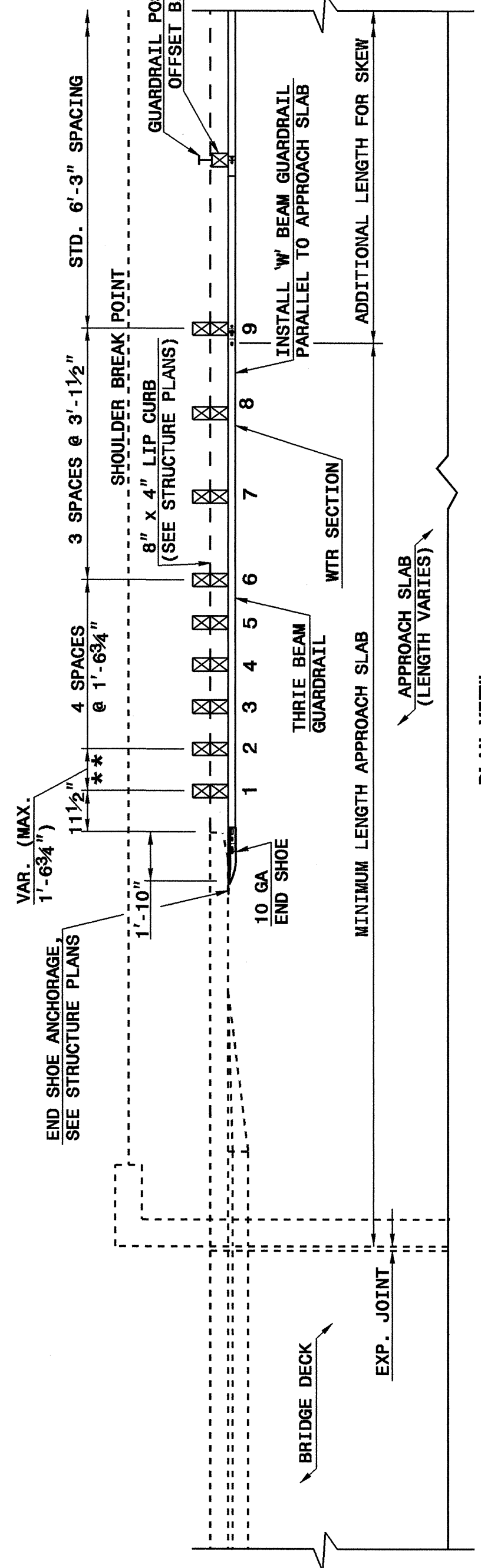
ENGLISH DETAIL DRAWING FOR
STRUCTURE ANCHOR UNITS
 GUARDRAIL ANCHOR UNIT, TYPE III
 FOR ATTACHMENT TO RAIL ON APPROACH SLAB

SHEET 3 OF 4
862D03



NOTE:
 **POST NOT REQUIRED FOR SKEW ANGLES GREATER THAN 150° OR LESS THAN 30° UNLESS OTHERWISE DIRECTED BY THE ENGINEER.
 -MEASURE GUARDRAIL HEIGHT FROM THE TOP OF ADJACENT SURFACE (SHOULDER, BERM, OR GUTTER).
 -USE NO STEEL POSTS WITHIN THE GUARDRAIL ANCHOR UNIT LIMITS.
 -LAP JOINTS IN THE DIRECTION OF TRAFFIC FLOW.
 -SEE SHEET 4 FOR POST SECTIONS 1 THRU 9.

ELEVATION



PLAN VIEW

STATE OF NORTH CAROLINA
 DEPT. OF TRANSPORTATION
 DIVISION OF HIGHWAYS
 RALEIGH, N.C.

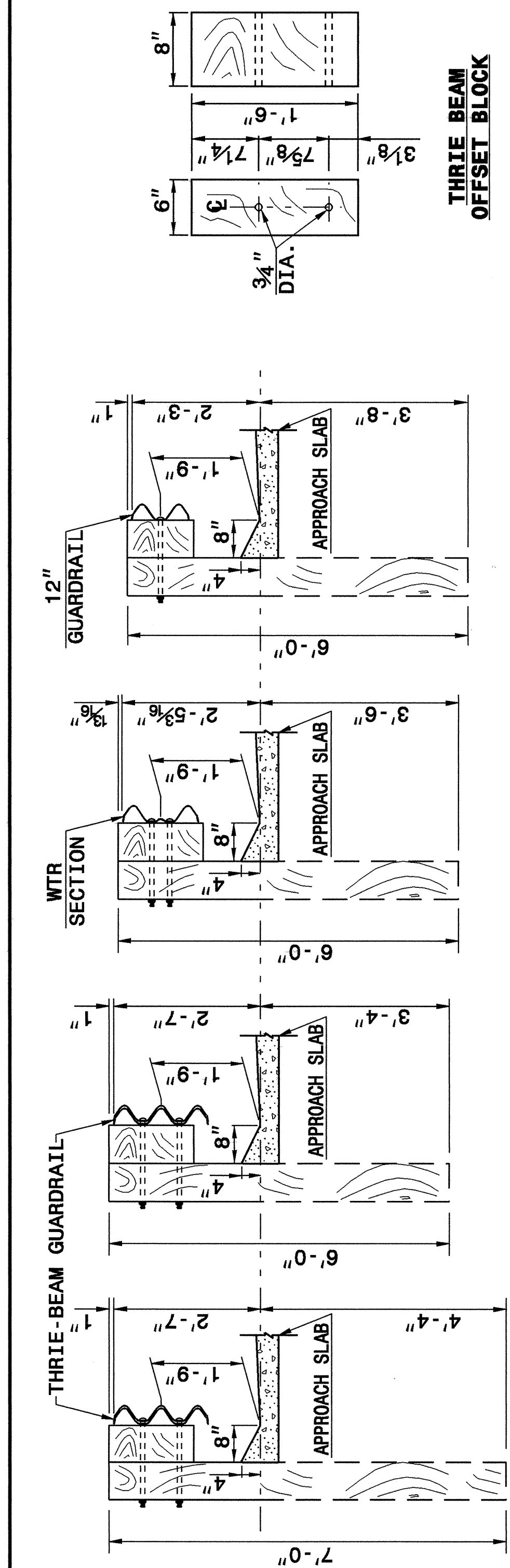
ENGLISH DETAIL DRAWING FOR
STRUCTURE ANCHOR UNITS
 GUARDRAIL ANCHOR UNIT, TYPE III
 FOR ATTACHMENT TO RAIL ON APPROACH SLAB

SHEET 3 OF 4
862D03

STATE OF NORTH CAROLINA
 DEPT. OF TRANSPORTATION
 DIVISION OF HIGHWAYS
 RALEIGH, N.C.

ENGLISH DETAIL DRAWING FOR
STRUCTURE ANCHOR UNITS
 GUARDRAIL ANCHOR UNIT, TYPE III

SHEET 4 OF 4
862D03

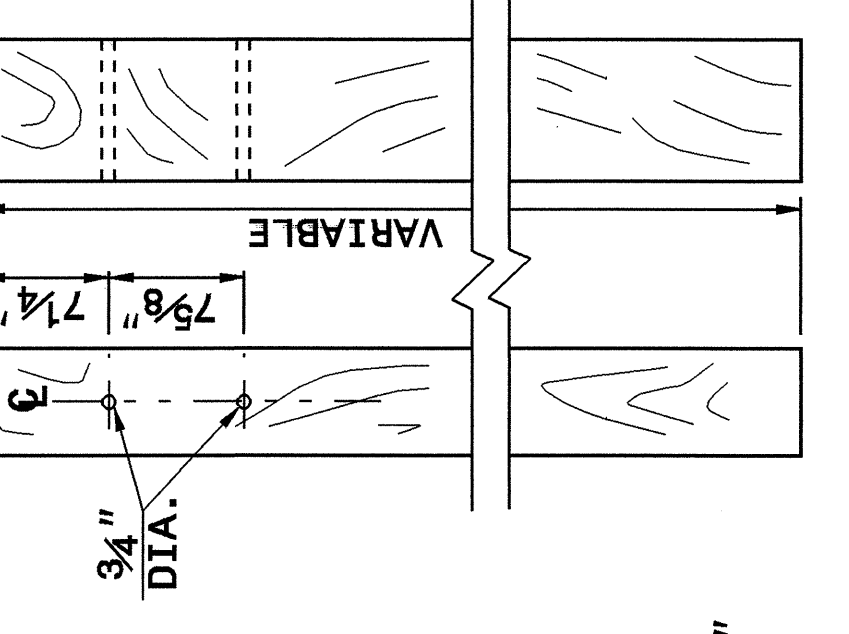
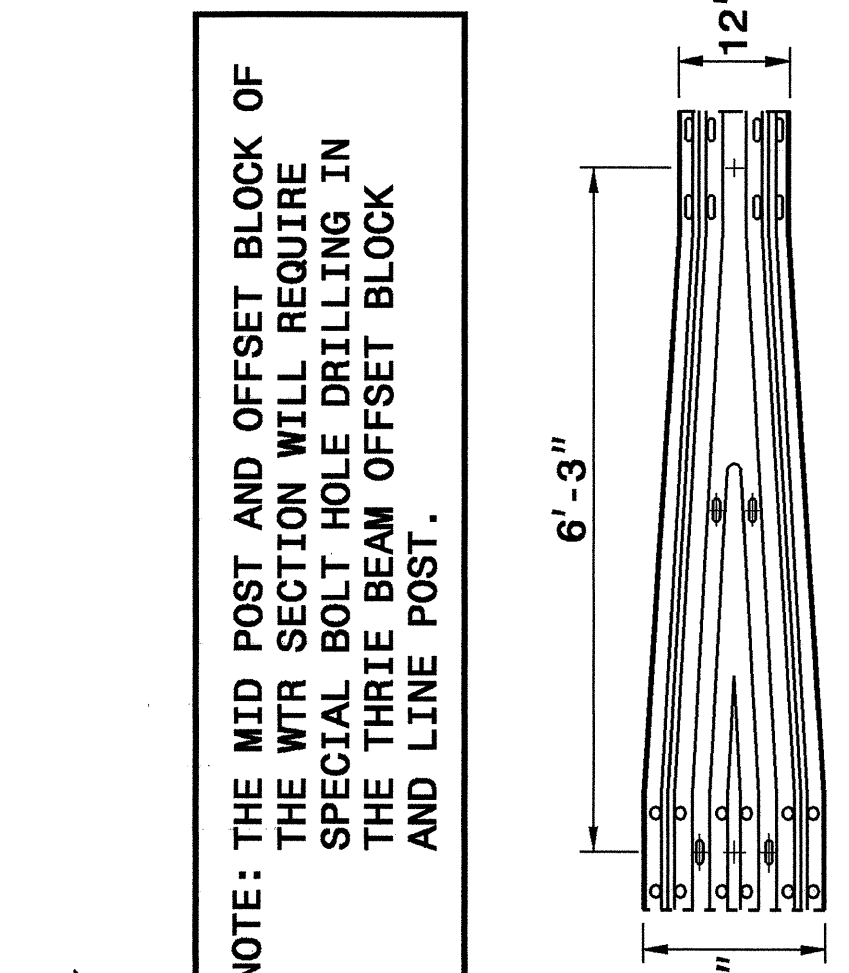
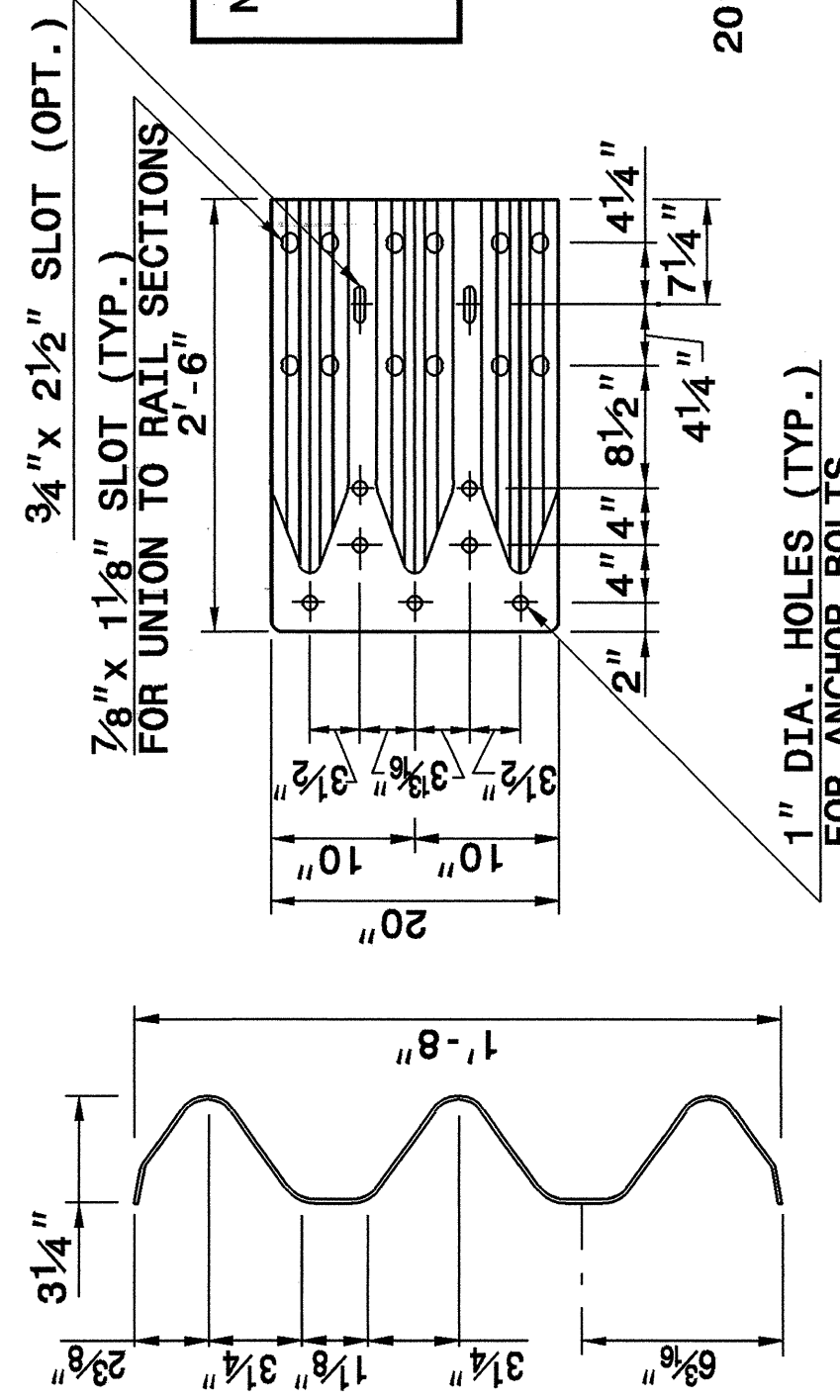


SECTION OF WTR BEAM POST 9

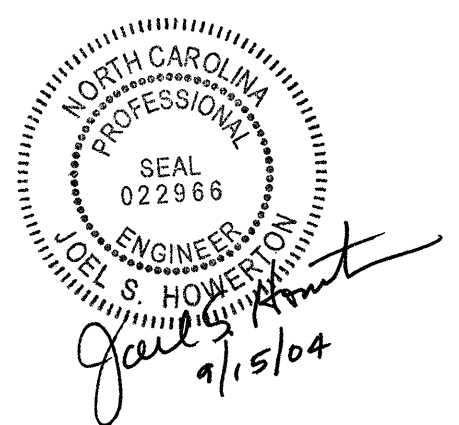
SECTION OF WTR BEAM POST 8

SECTION OF THRIR BEAM POST 7

SECTION OF THRIR BEAM POSTS 1 THRU 6



NOTE: THE MID POST AND OFFSET BLOCK OF THE WTR SECTION WILL REQUIRE SPECIAL BOLT HOLE DRILLING IN THE THRIR BEAM OFFSET BLOCK AND LINE POST.



DESIGN SERVICES UNIT
STANDARDS AND SPECIAL DESIGN
 Office 919-250-4128 FAX 919-250-4119
SEE PLATE FOR TITLE

ORIGINAL BY: 2002 STANDARDS DATE: 01-15-02
 MODIFIED BY: E.E. WARD DATE: 04-07-04
 CHECKED BY: DATE:
 FILE SPEC.: stds/02stdstodetails/english/862d03.dgn