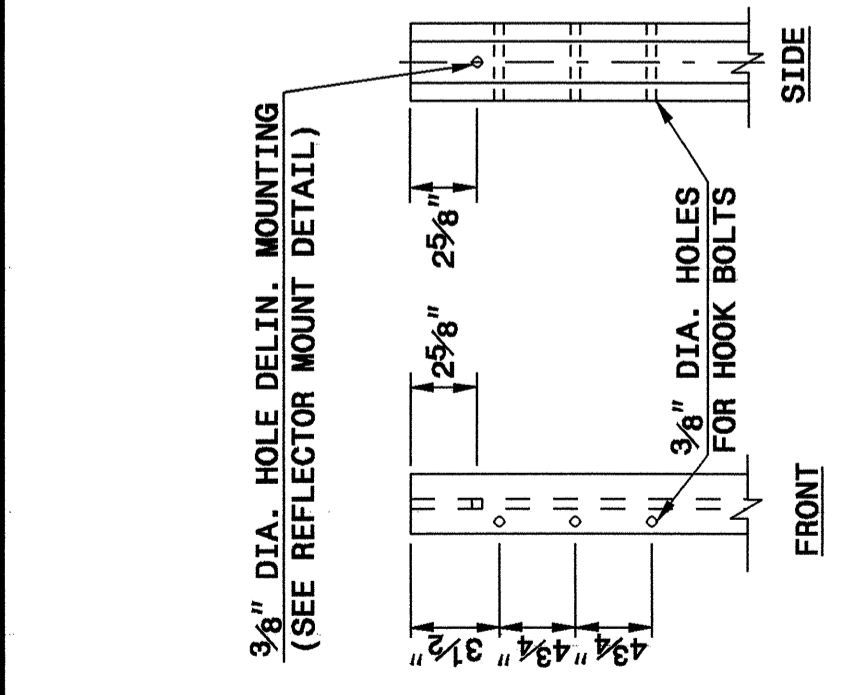


I:\AS-2004\449  
 W:\Special Details\wardstds\02\stds to Special Details\english\86501\0865d01.dgn  
 ericward At 05/14/99

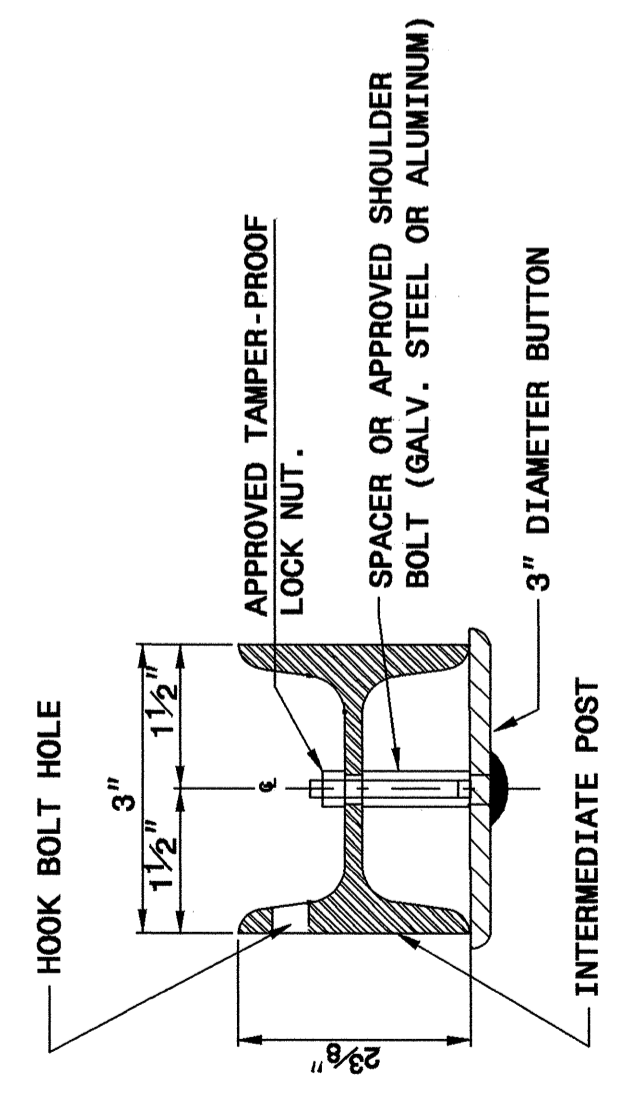
STATE OF NORTH CAROLINA  
DEPT. OF TRANSPORTATION  
DIVISION OF HIGHWAYS  
RALEIGH, N.C.

ENGLISH DETAIL DRAWING FOR  
**CABLE GUIDERAIL**  
DOUBLE FACE GUIDERAIL - POST DETAILS

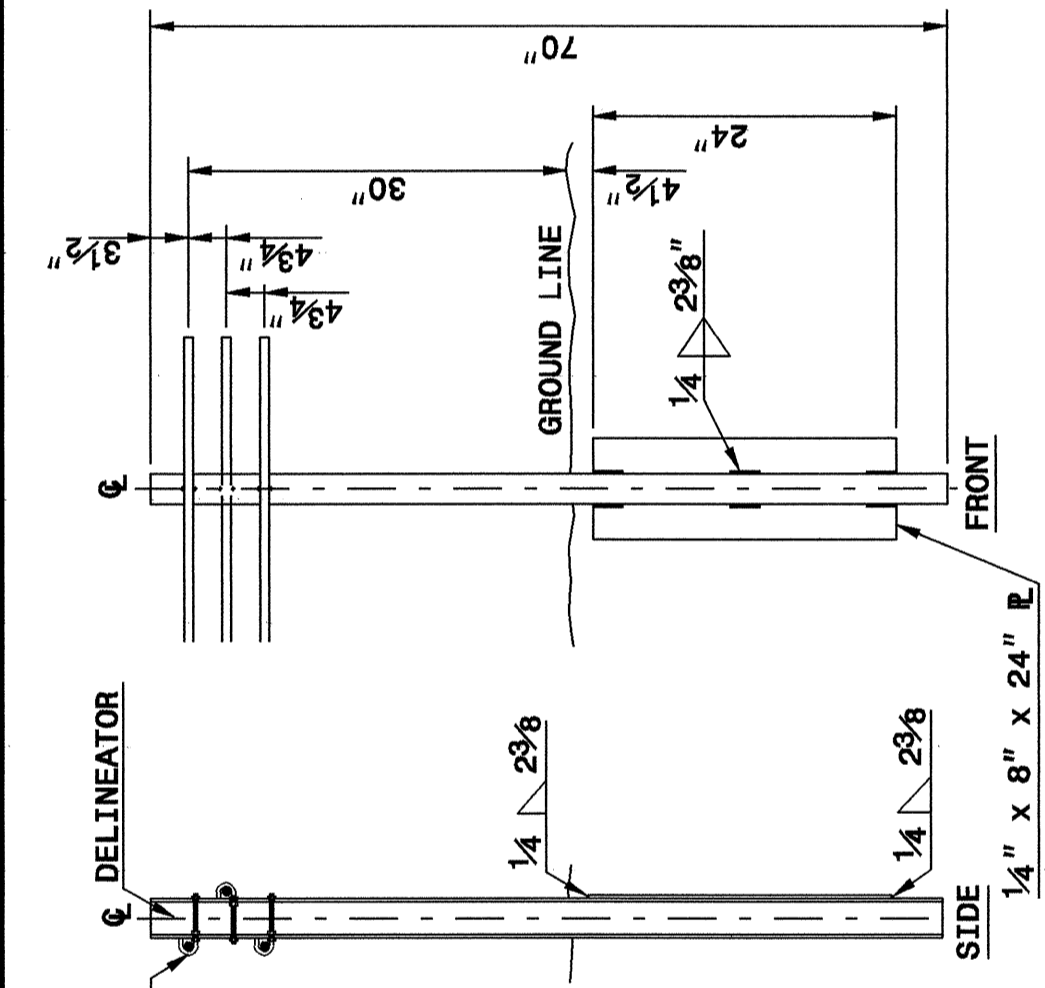
SHEET 5 OF 11  
**865D01**



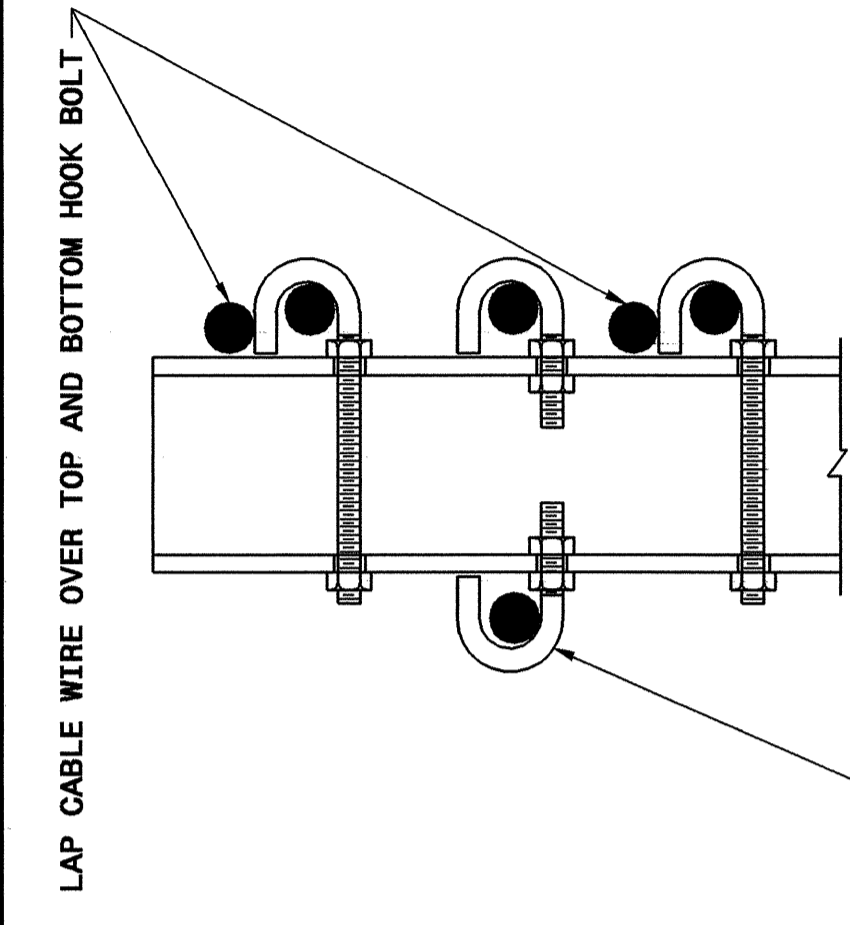
**DOUBLE FACE GUIDERAIL POST HOLE PLACEMENT DETAIL INTERMEDIATE POST**



**REFLECTOR MOUNT DETAIL PLAN VIEW**

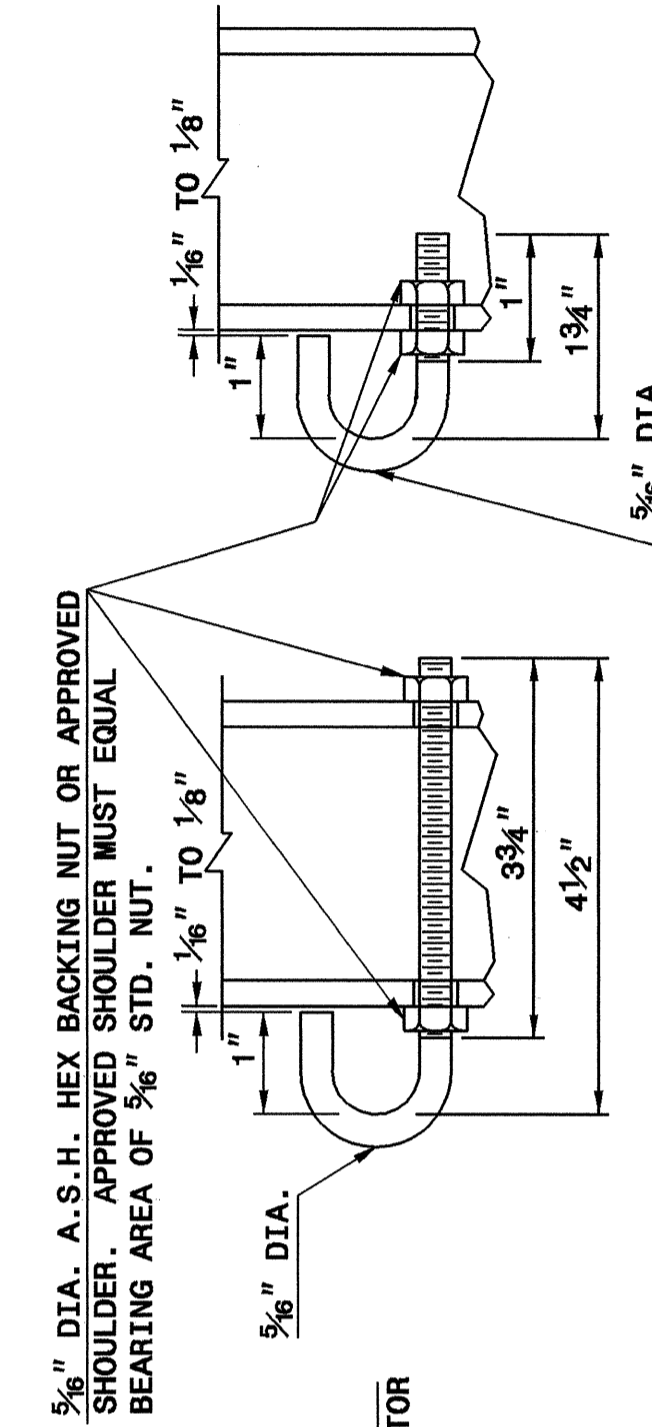


**DOUBLE FACE GUIDERAIL INTERMEDIATE POST**



THE CENTER POST IN THE INTERMEDIATE ANCHORAGE SECTION WILL HAVE CABLE WIRE ON BOTH SIDES OF THE MIDDLE STRAND REQUIRING THE USE OF TWO 1 3/4" HOOK BOLTS FOR THIS APPLICATION.

**DETAIL "A" CENTER POST INTERMEDIATE ANCHORAGE SECTION**



**HOOK BOLT (ALTERNATES)**

STATE OF NORTH CAROLINA  
DEPT. OF TRANSPORTATION  
DIVISION OF HIGHWAYS  
RALEIGH, N.C.

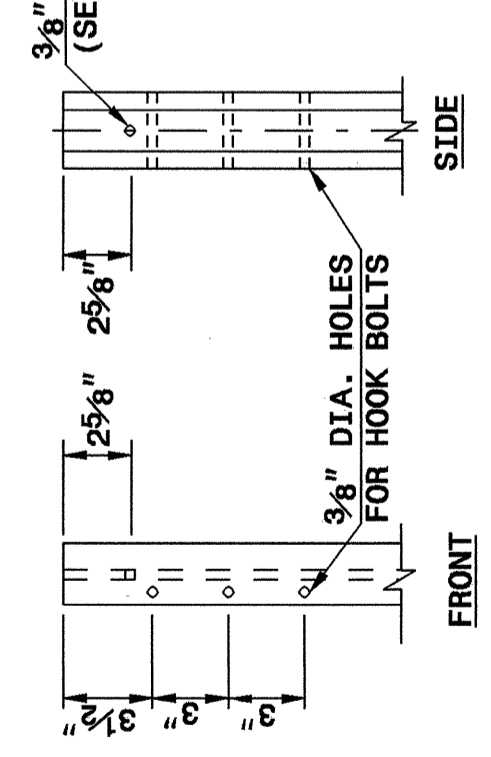
ENGLISH DETAIL DRAWING FOR  
**CABLE GUIDERAIL**  
DOUBLE FACE GUIDERAIL - POST DETAILS

SHEET 5 OF 11  
**865D01**

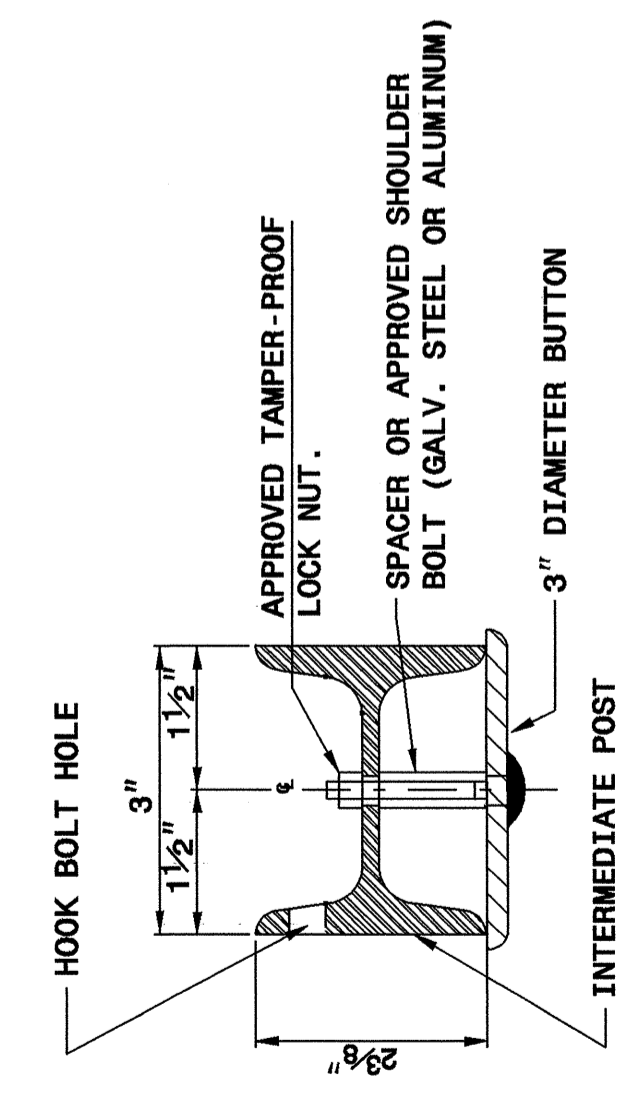
STATE OF NORTH CAROLINA  
DEPT. OF TRANSPORTATION  
DIVISION OF HIGHWAYS  
RALEIGH, N.C.

ENGLISH DETAIL DRAWING FOR  
**CABLE GUIDERAIL**  
SINGLE FACE GUIDERAIL - POST DETAILS

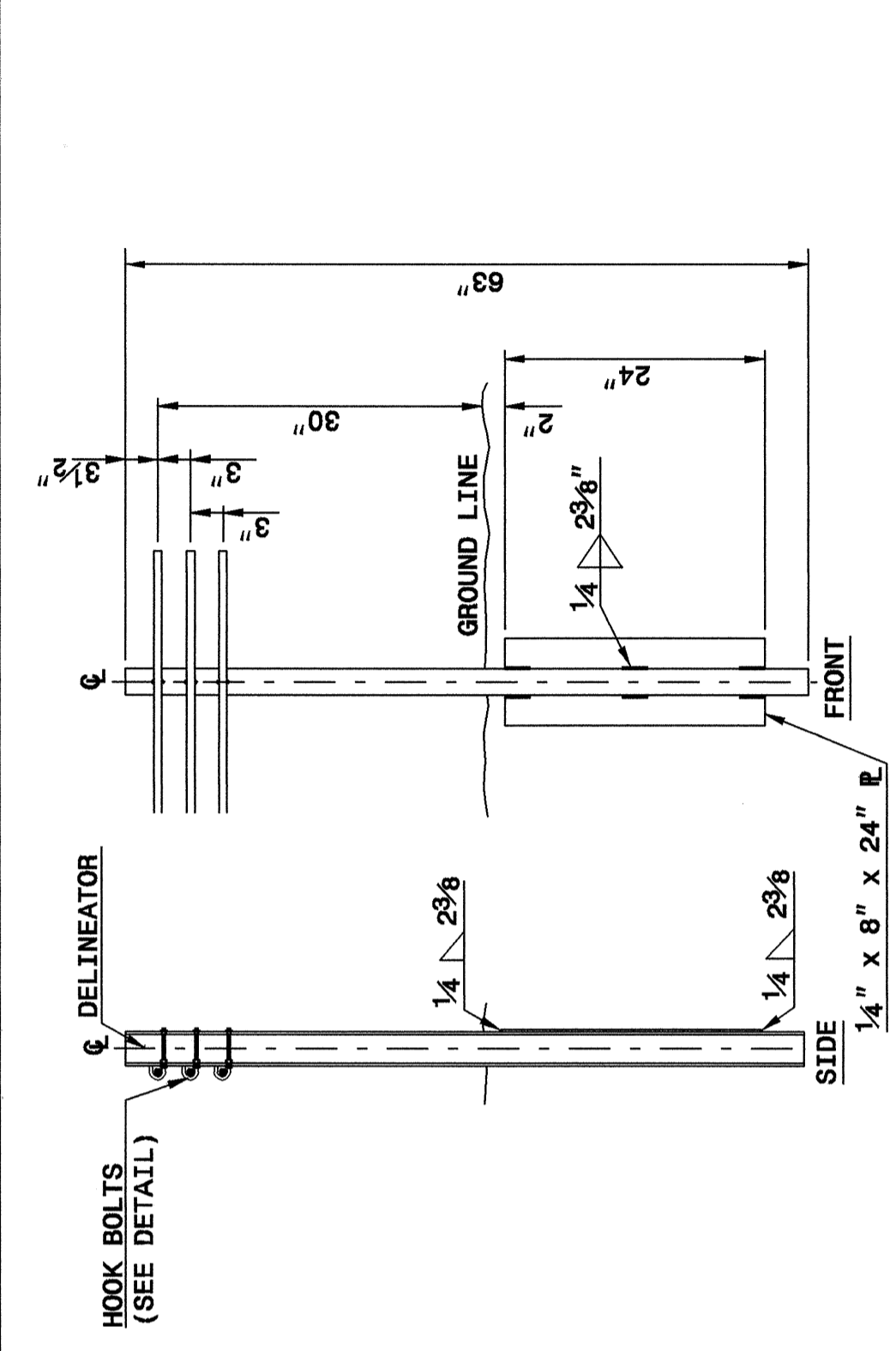
SHEET 6 OF 11  
**865D01**



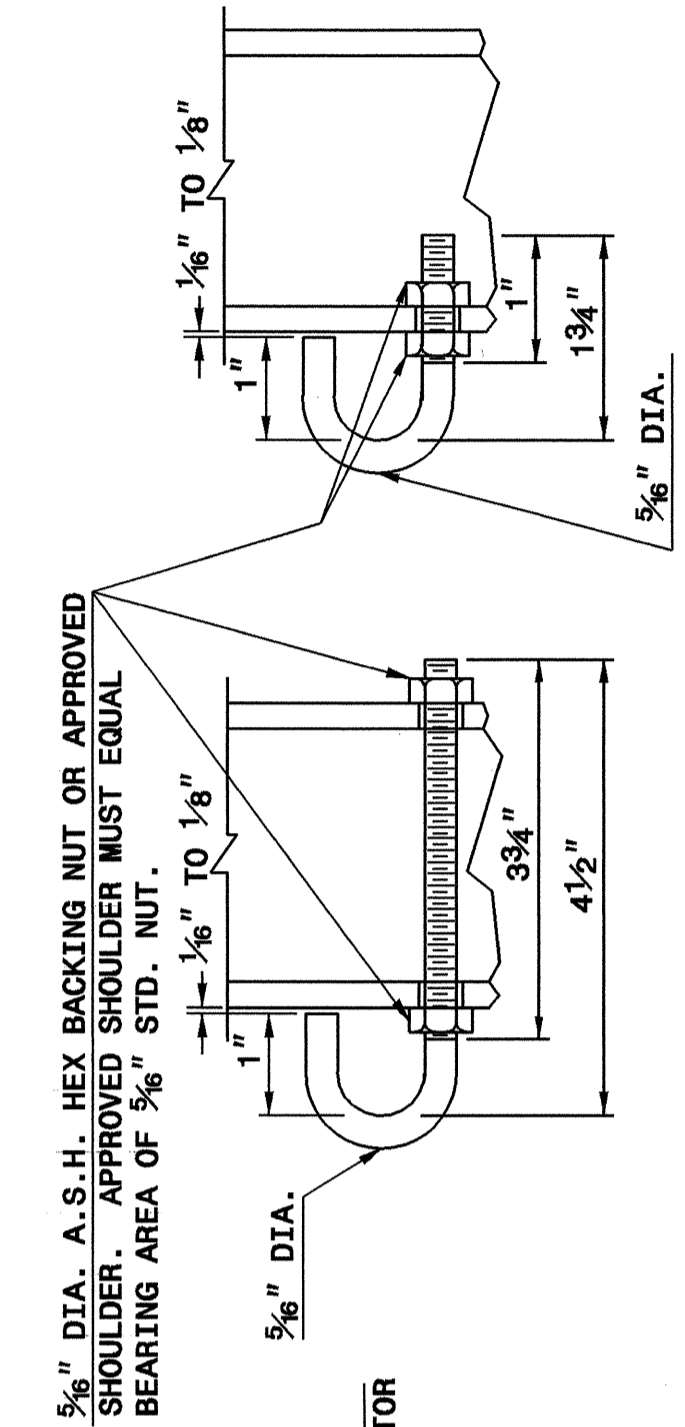
**SINGLE FACE GUIDERAIL POST HOLE PLACEMENT DETAIL**



**REFLECTOR MOUNT DETAIL PLAN VIEW**



**SINGLE FACE GUIDERAIL INTERMEDIATE POST**



**HOOK BOLT (ALTERNATES)**

STATE OF NORTH CAROLINA  
DEPT. OF TRANSPORTATION  
DIVISION OF HIGHWAYS  
RALEIGH, N.C.

ENGLISH DETAIL DRAWING FOR  
**CABLE GUIDERAIL**  
SINGLE FACE GUIDERAIL - POST DETAILS

SHEET 6 OF 11  
**865D01**

**DESIGN SERVICES UNIT  
STANDARDS AND SPECIAL DESIGN**  
Office 919-250-4128 FAX 919-250-4119

**SEE PLATE FOR TITLE**

ORIGINAL BY: 2002 STANDARDS DATE: 1-15-02  
 MODIFIED BY: E.E. WARD DATE: 4-07-04  
 CHECKED BY: DATE:  
 FILE SPEC.: /usr/std/02stds to details/english/86501/0865d01.dgn

