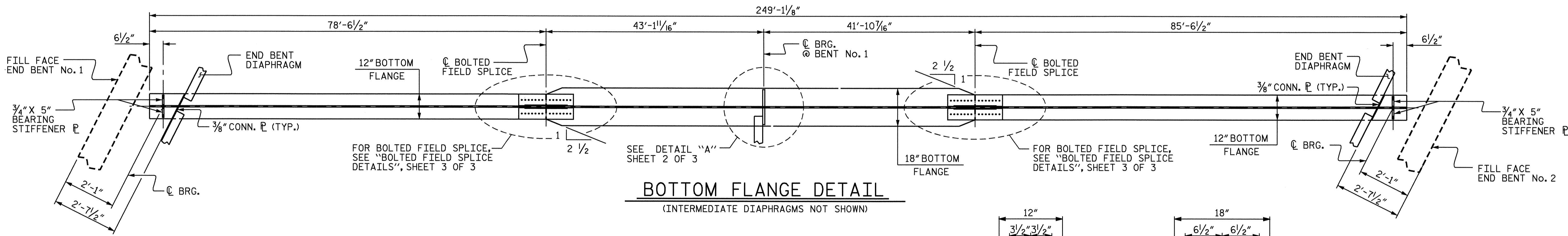
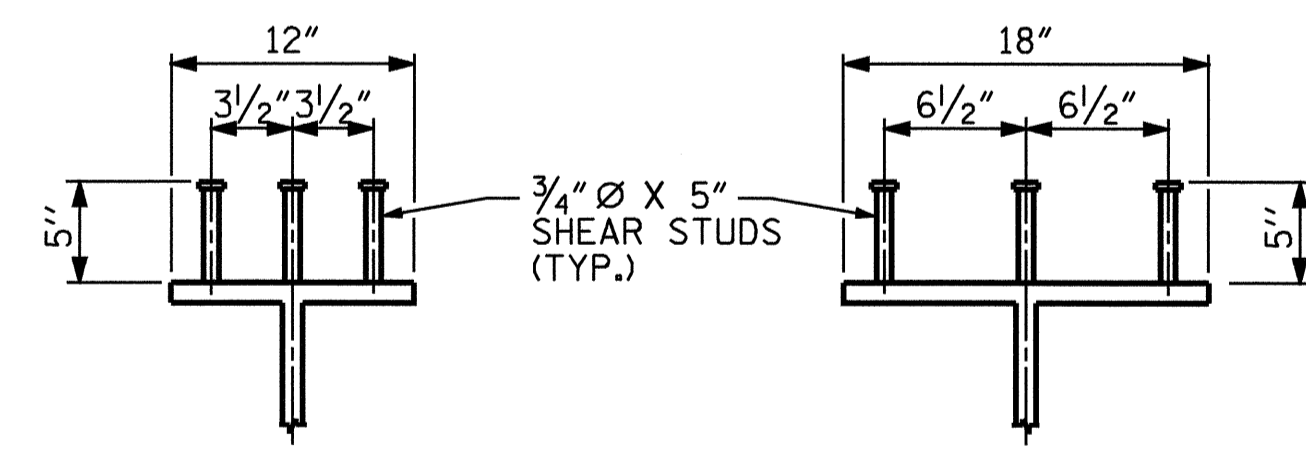


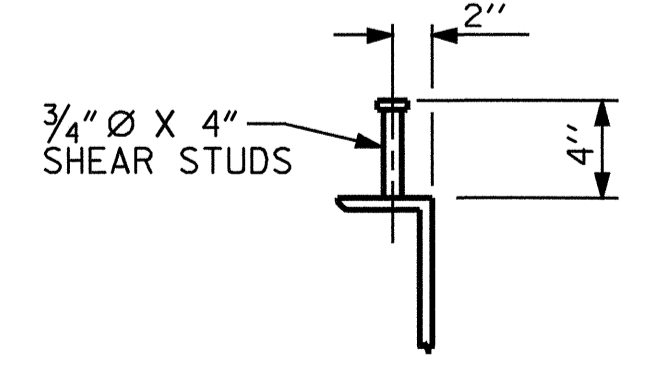
ELEVATION OF GIRDER
(INTERMEDIATE DIAPHRAGMS NOT SHOWN)



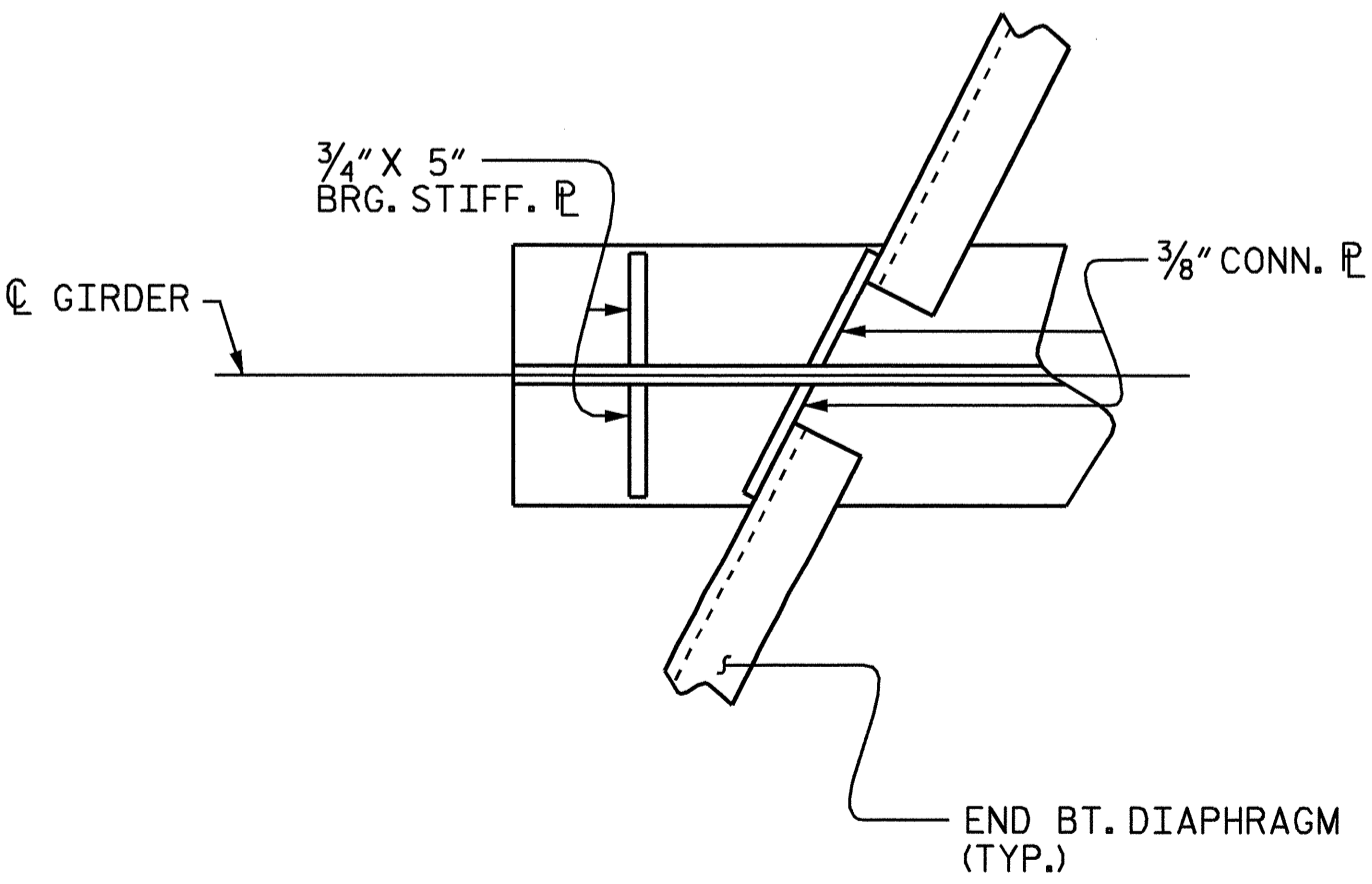
BOTTOM FLANGE DETAIL
(INTERMEDIATE DIAPHRAGMS NOT SHOWN)



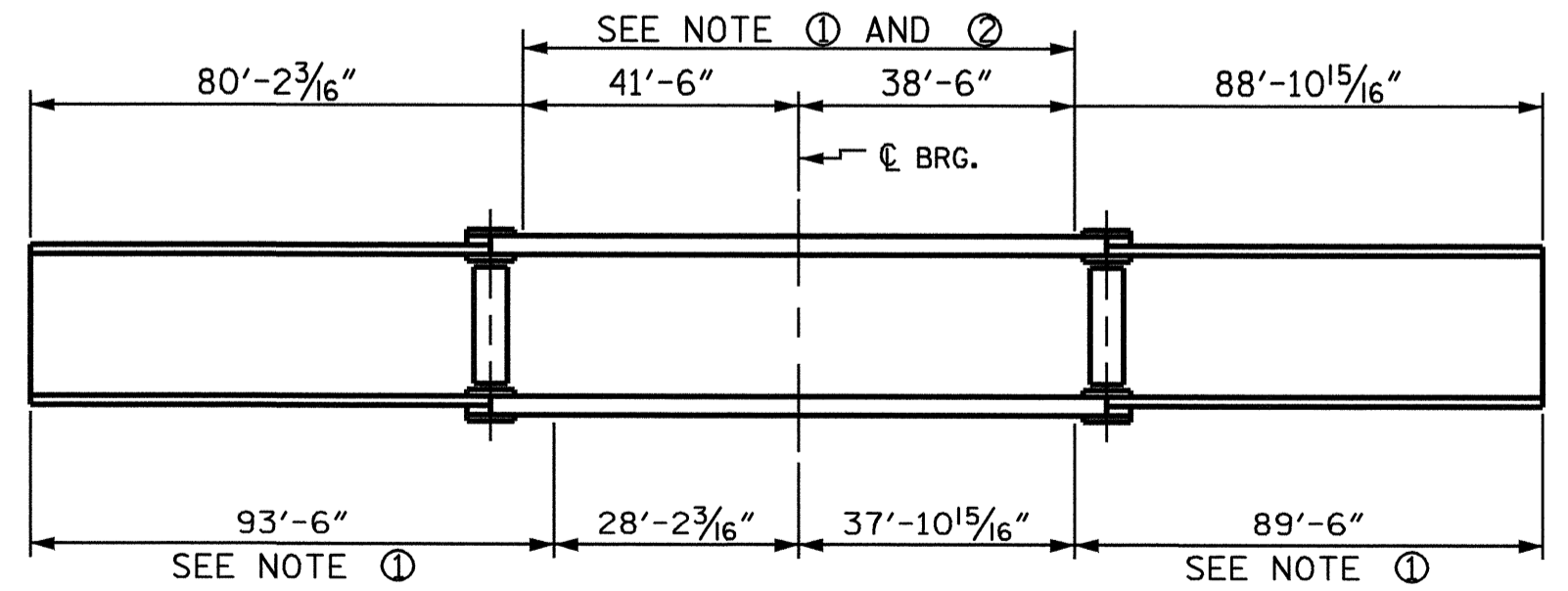
SHEAR STUD DETAILS
(TYP. EA. GIRDER)



SHEAR STUD DETAILS
(TYP. EA. END BENT DIAPHRAGM)



CONNECTOR DETAIL
(EACH END SIMILAR)



NOTE ① : CHARPY V-NOTCH TESTS ARE REQUIRED FOR ALL TOP OR BOTTOM FLANGE PLATES WHICH FALL WITHIN THESE LIMITS, ALL WEB PLATES, AND ALL SPLICE PLATES. IF A PERMITTED SHOP FLANGE SPLICE IS NOT USED, CHARPY V-NOTCH TESTS WILL BE REQUIRED FOR THE ENTIRE FLANGE PLATE. FOR CHARPY V-NOTCH TESTS, SEE ARTICLE 1072-9 OF THE STANDARD SPECIFICATIONS.

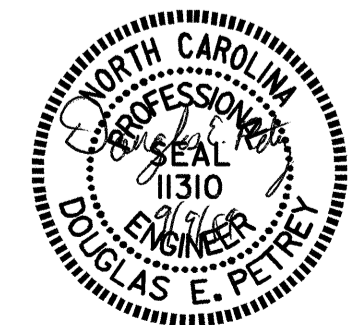
NOTE ② : NO WELDING OF FORMS OR FALSEWORK TO THE TOP FLANGE WILL BE PERMITTED IN THIS REGION

CHARPY V-NOTCH TESTS FOR CONTINUOUS PLATE GIRDERS

PROJECT NO. R-2417BB
LEE COUNTY
STATION: 519+42.20 -L-

SHEET 1 OF 3

STATE OF NORTH CAROLINA DEPARTMENT OF TRANSPORTATION RALEIGH					
SUPERSTRUCTURE STRUCTURAL STEEL DETAILS					
REVISIONS					
NO.	BY:	DATE:	NO.	BY:	DATE:
1			3		
2			4		
SHEET NO. S-9					TOTAL SHEETS 78



DRAWN BY : M. ALLEN DATE : 8/03
CHECKED BY : B.N. GRADY DATE : 11/03