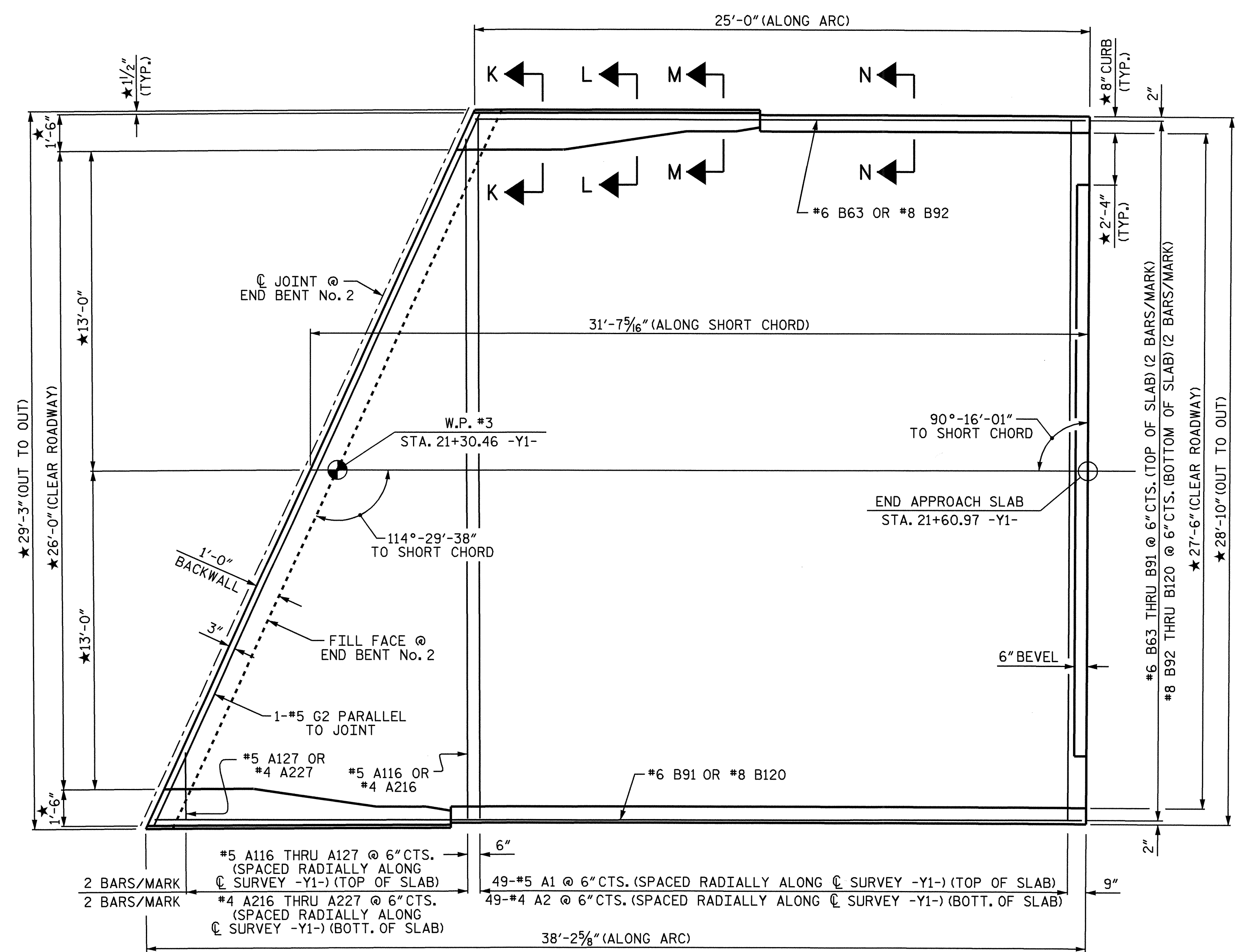
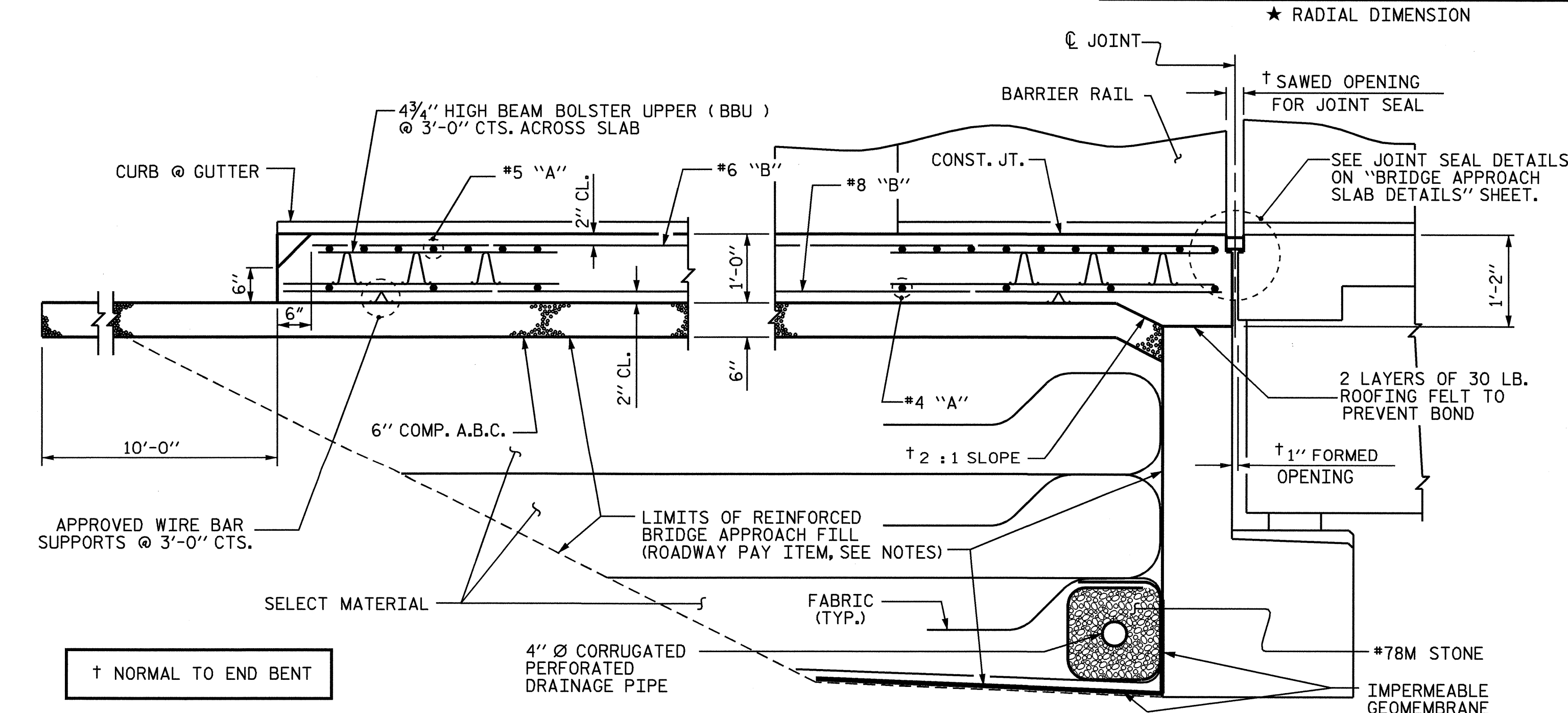


AT END BENT No. 1

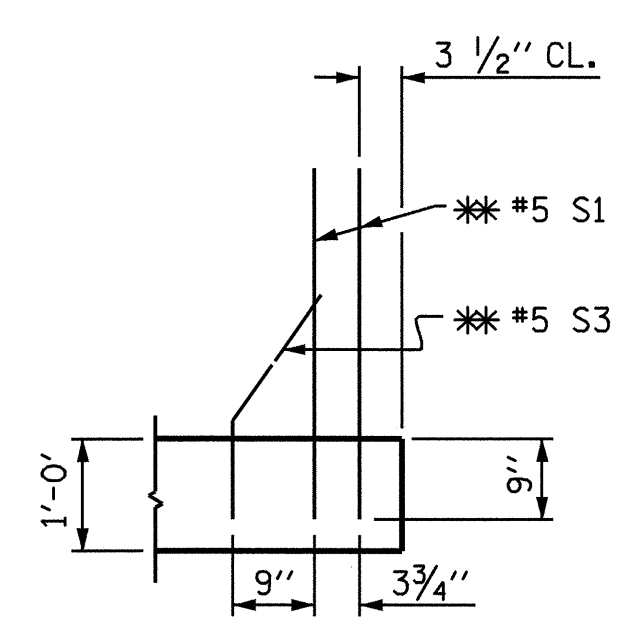


AT END BENT No. 2

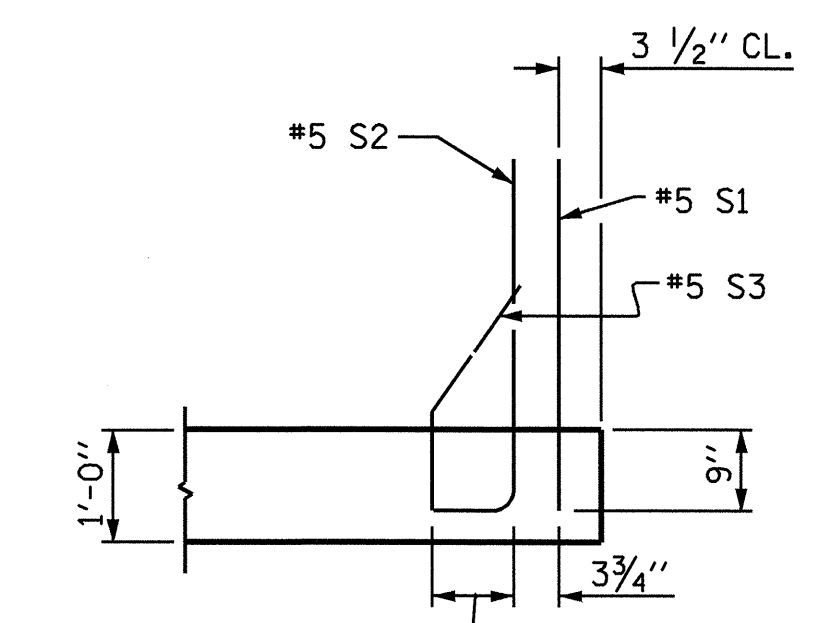
PLAN OF APPROACH SLAB



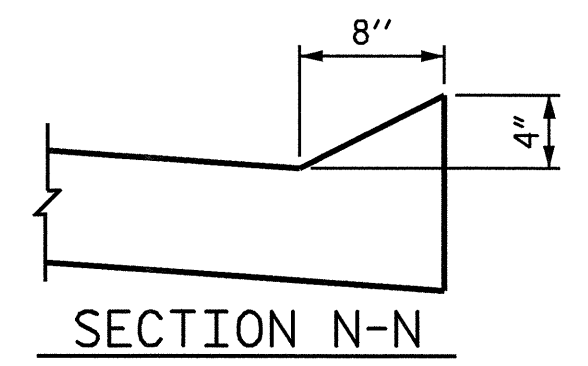
SECTION THRU SLAB



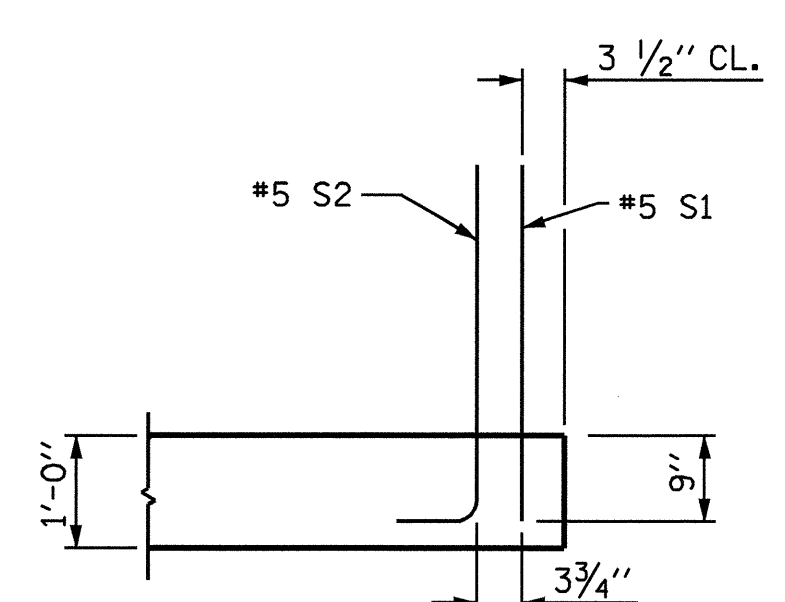
SECTION K-K  
\*\* ADHESIVELY ANCHORED



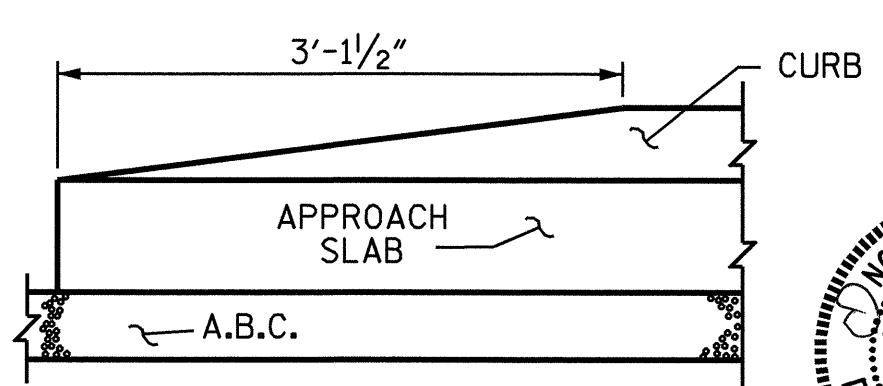
SECTION L-L  
VARIES



SECTION N-N



SECTION M-M



END OF CURB WITHOUT SHOULDER BERM GUTTER



PROJECT NO. R-2417BB  
LEE COUNTY  
STATION: 519+42.20 -L-

SHEET 1 OF 5

REVISIONS						SHEET NO.
NO.	BY:	DATE:	NO.	BY:	DATE:	S-28
1			3			TOTAL SHEETS
2			4			78

DRAWN BY: B.N. GRADY DATE: 5/04  
CHECKED BY: R.G. EMERSON DATE: 5/04