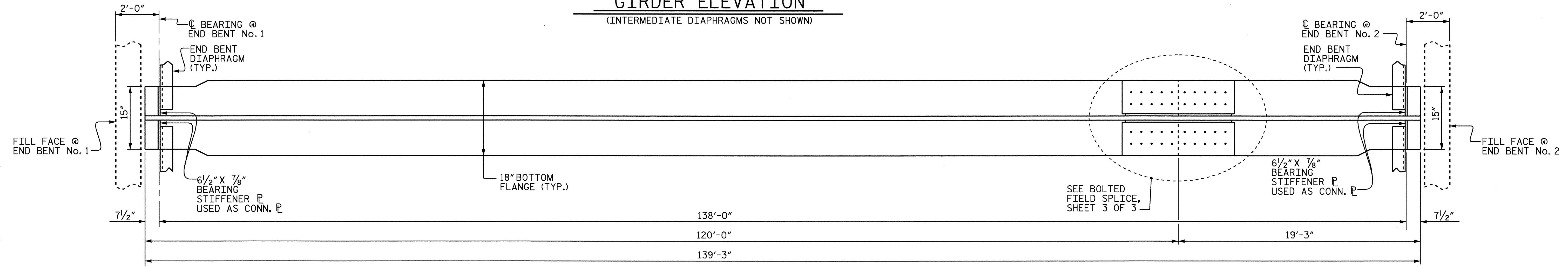


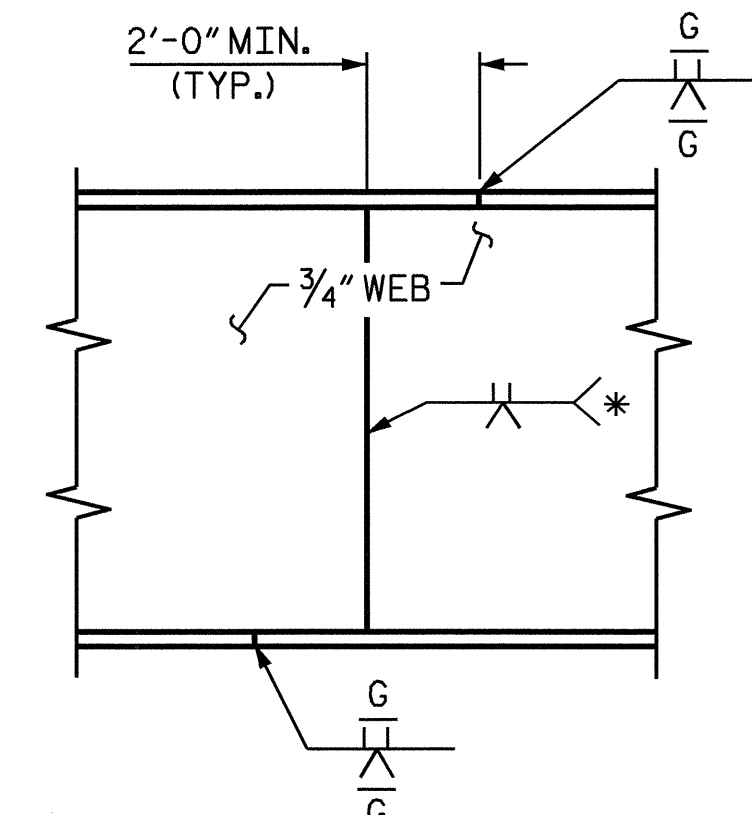
GIRDER ELEVATION

(INTERMEDIATE DIAPHRAGMS NOT SHOWN)

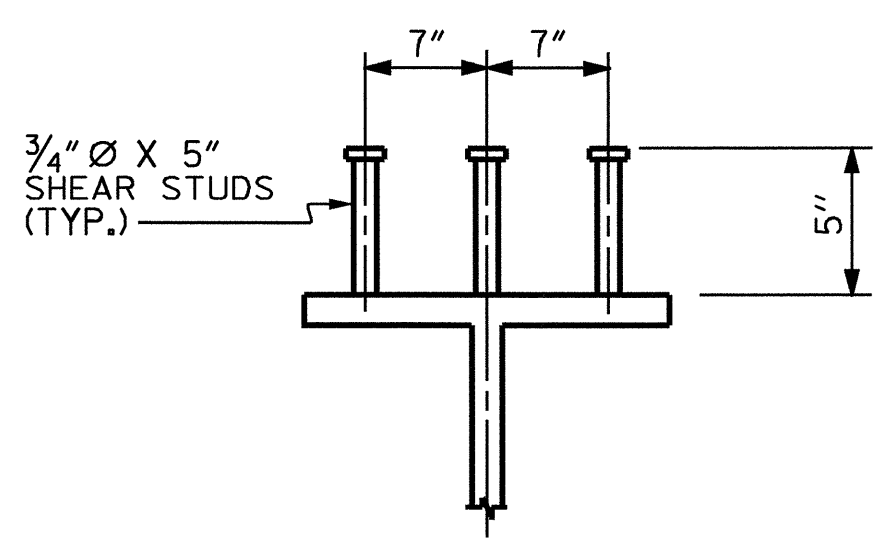


BOTTOM FLANGE DETAIL

(INTERMEDIATE DIAPHRAGMS NOT SHOWN)

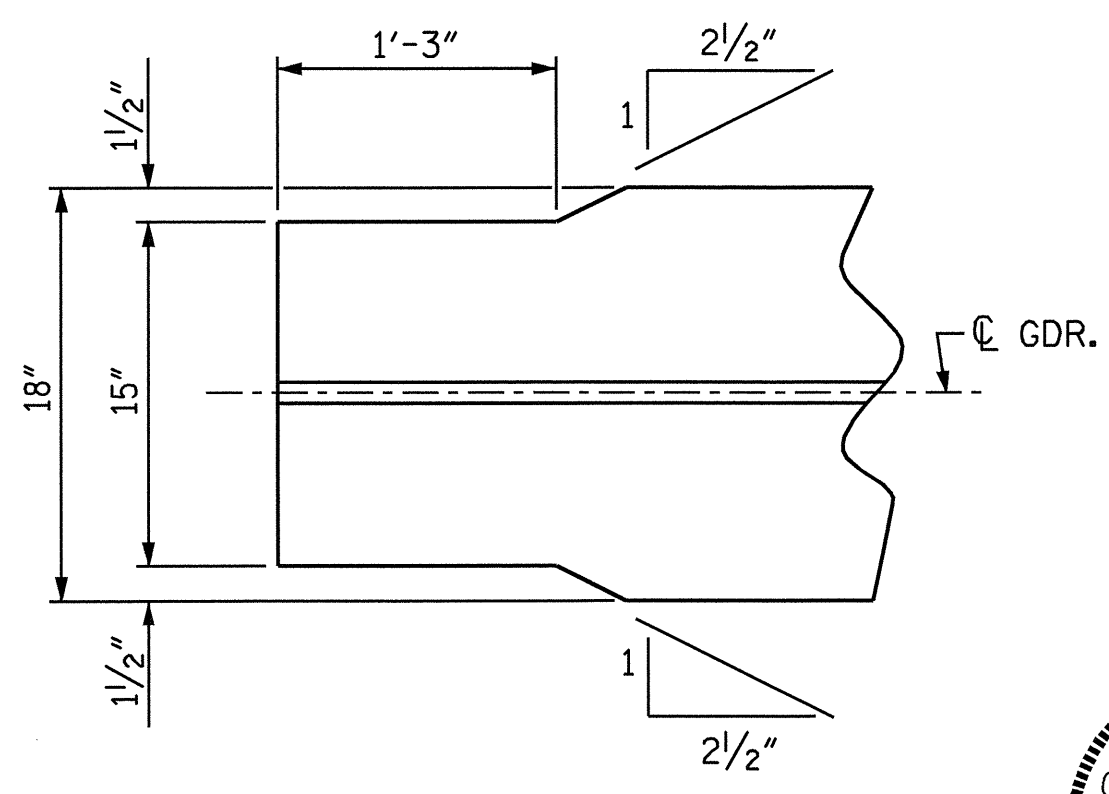


PERMISSIBLE SHOP FLANGE & WEB SPLICE



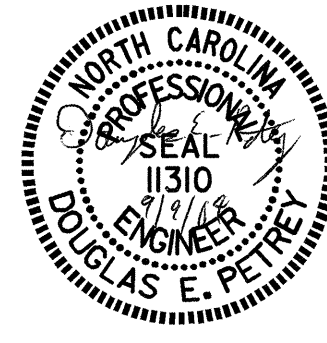
SHEAR STUD DETAILS

(TYP. EA. GIRDER)



END OF GIRDER DETAIL

(BOTTOM FLANGE ONLY)



PROJECT NO. R-2417BB
LEE COUNTY
 STATION: 565+49.40 -L-

SHEET 1 OF 3

STATE OF NORTH CAROLINA
 DEPARTMENT OF TRANSPORTATION
 RALEIGH
 SUPERSTRUCTURE
 STRUCTURAL STEEL
 DETAILS
 LEFT LANE

REVISIONS						SHEET NO.	
NO.	BY:	DATE:	NO.	BY:	DATE:	S-39	
1			3			TOTAL SHEETS 78	
2			4				

DRAWN BY: A.R.CHESSON DATE: 3-04
 CHECKED BY: B.N.GRADY DATE: 4-04

* GRIND SMOOTH AND FLUSH ON OUTSIDE OF EXTERIOR GIRDERS.