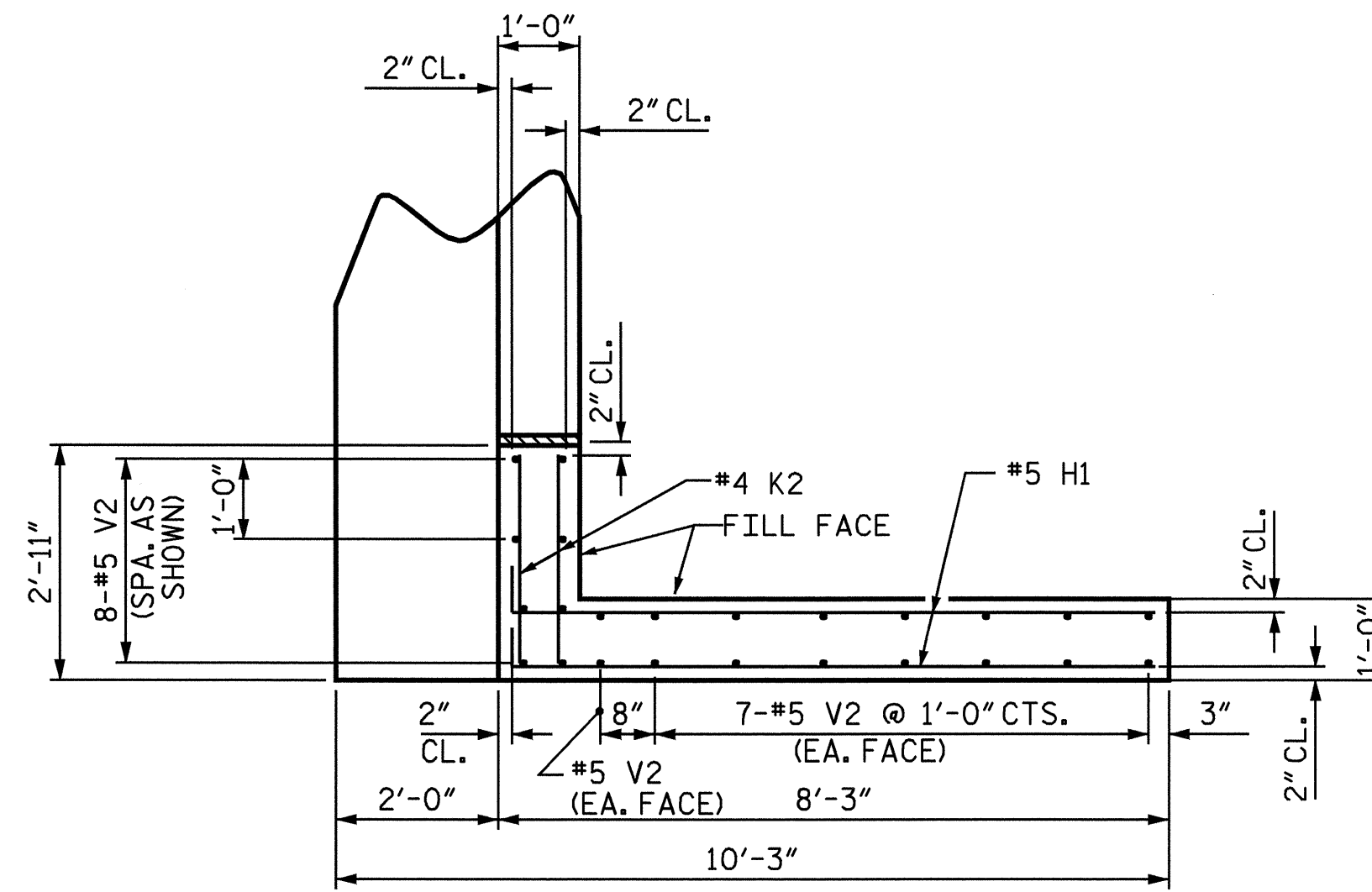
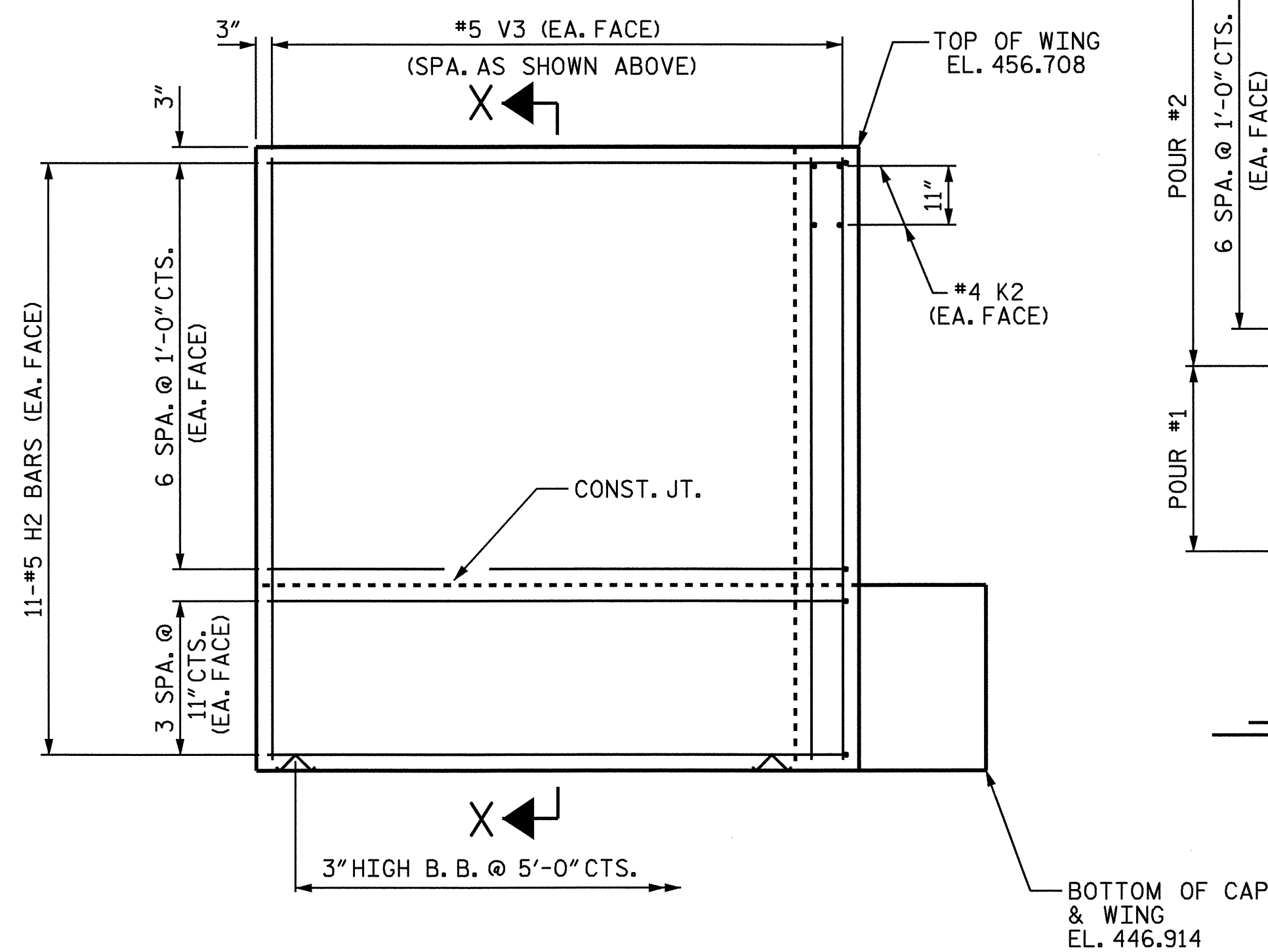


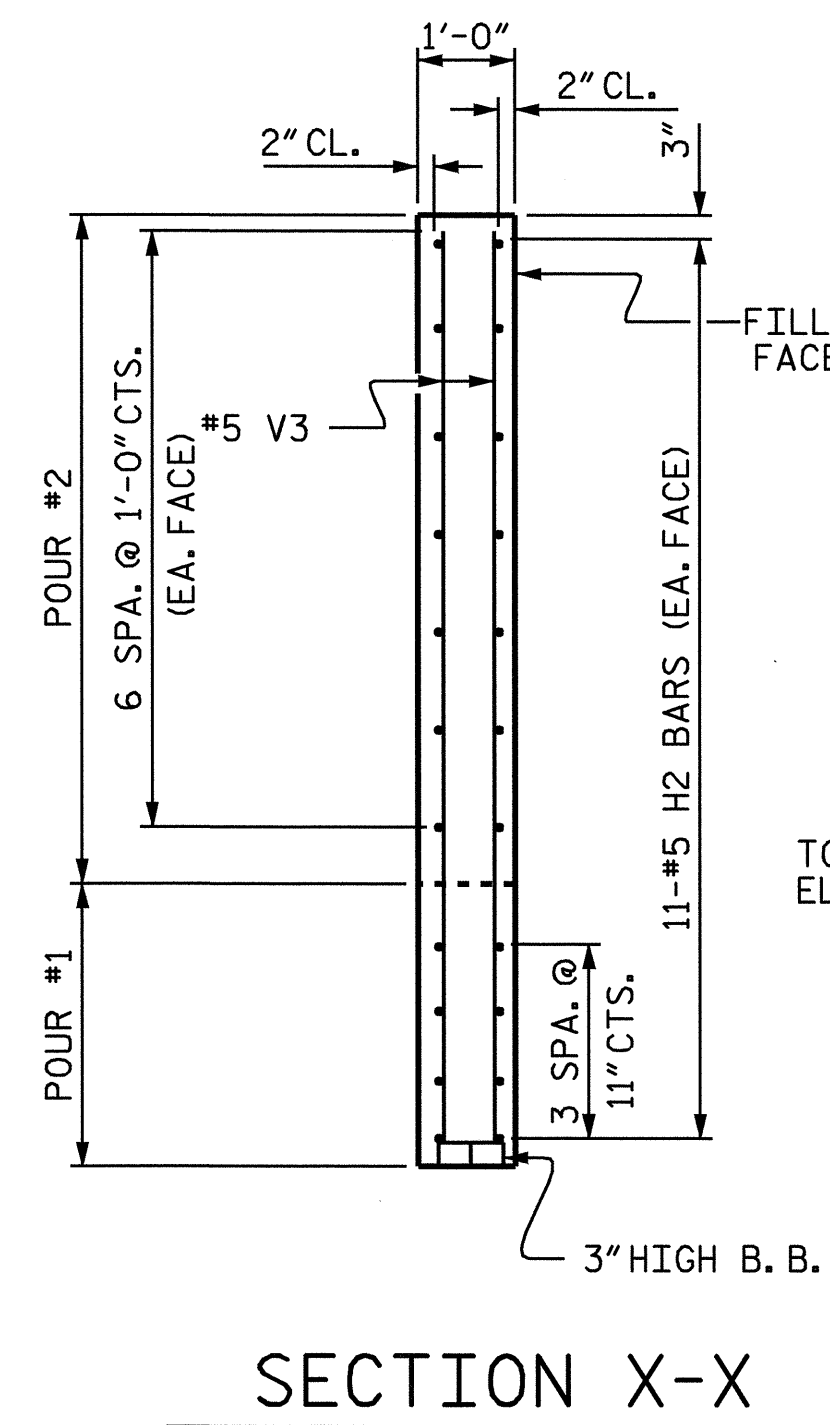
PLAN OF WING (W1)



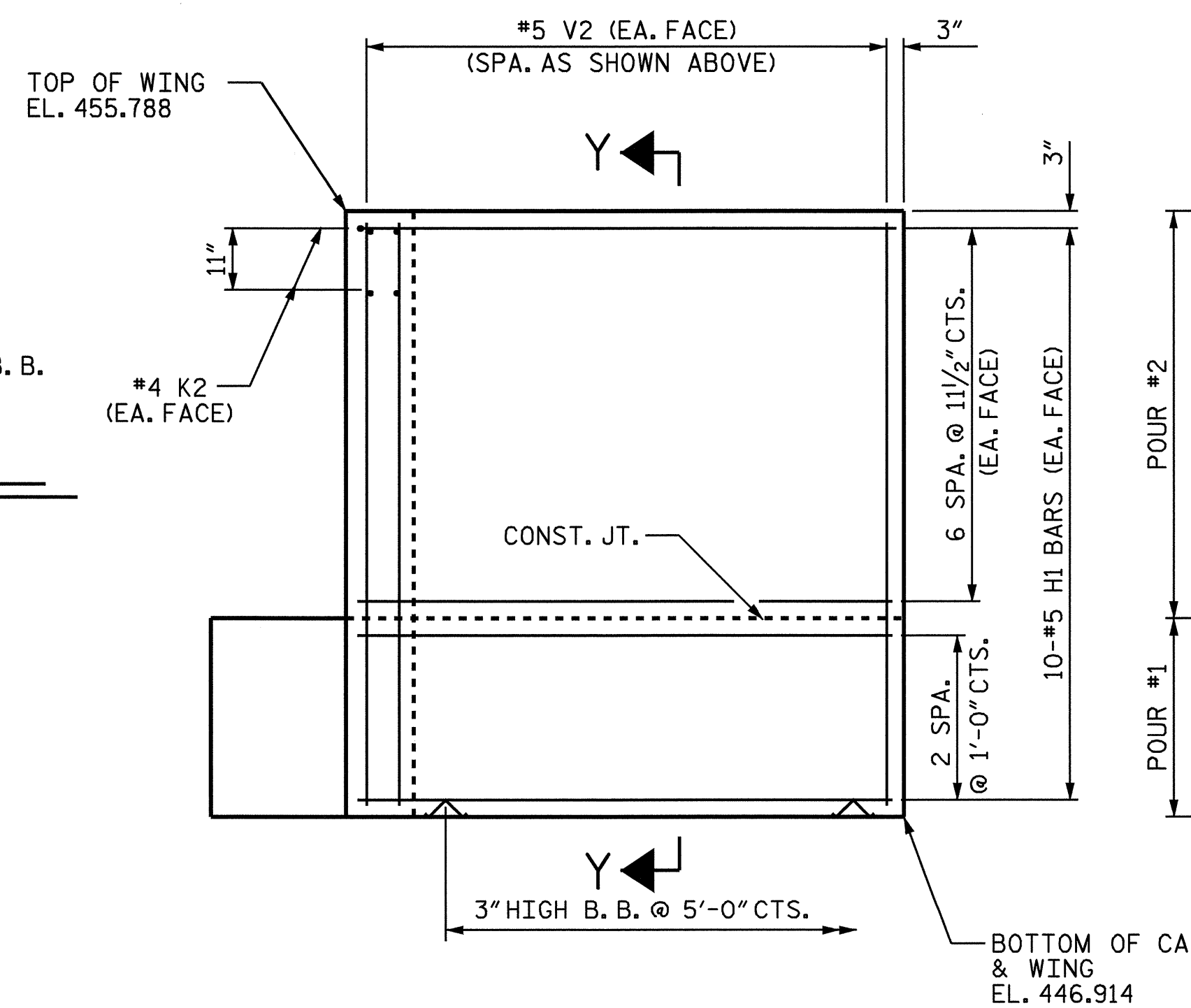
PLAN OF WING (W2)



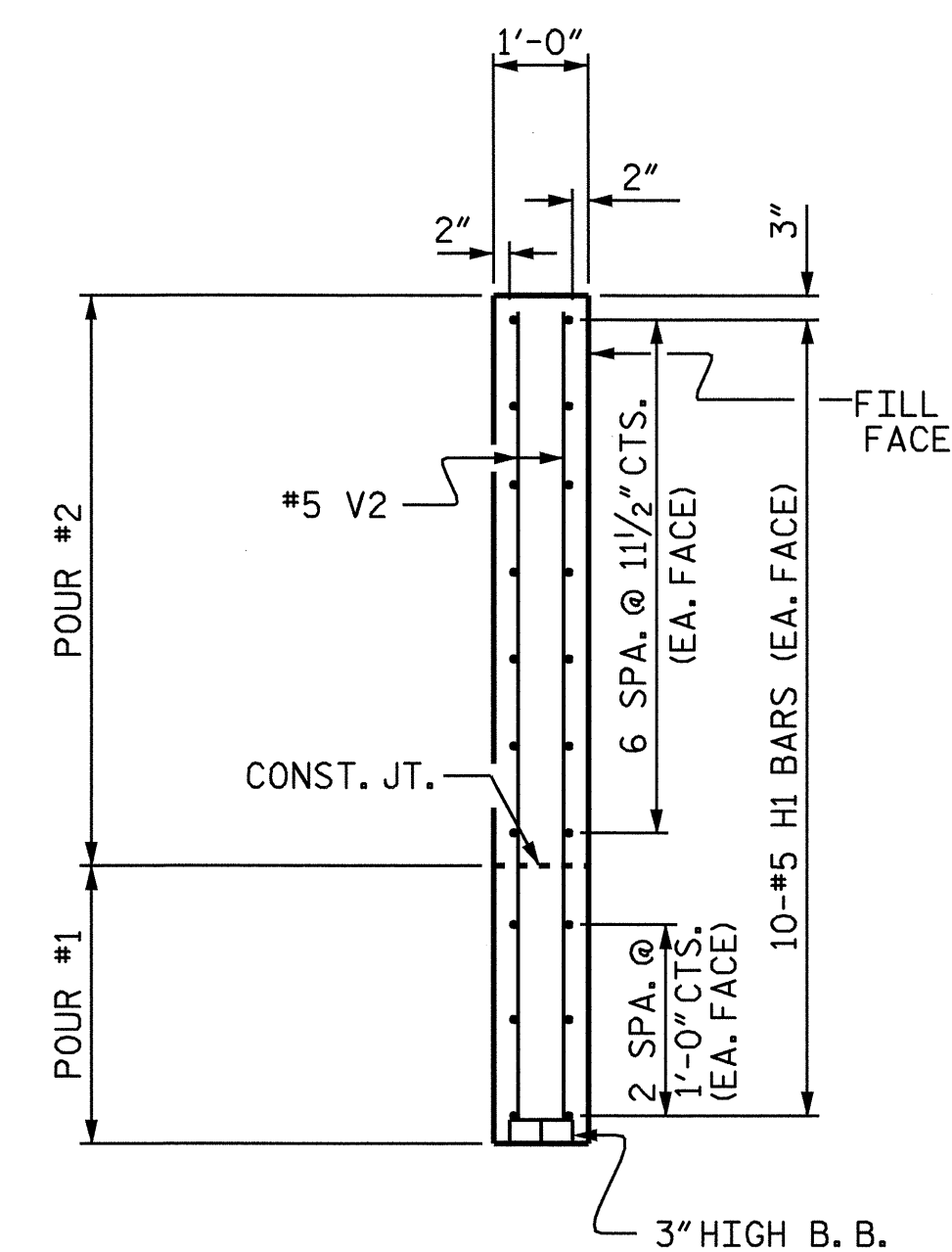
ELEVATION OF WING (W1)



SECTION X-X



ELEVATION OF WING (W2)



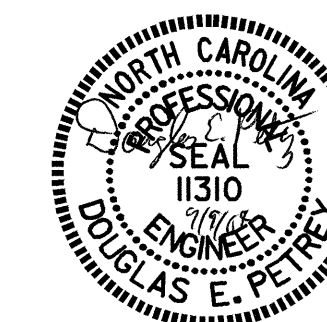
SECTION Y-Y

PROJECT NO. R-2417BB
 LEE COUNTY
 STATION: 565+49.40 -L-

SHEET 2 OF 3

STATE OF NORTH CAROLINA
 DEPARTMENT OF TRANSPORTATION
 RALEIGH

SUBSTRUCTURE
 END BENT No. 2
 RIGHT LANE



DRAWN BY: R. G. EMERSON DATE: 04/04
 CHECKED BY: A. R. CHESSON DATE: 04/04

REVISIONS						SHEET NO.	
NO.	BY:	DATE:	NO.	BY:	DATE:	S-73	
1			3			TOTAL	78
2			4				