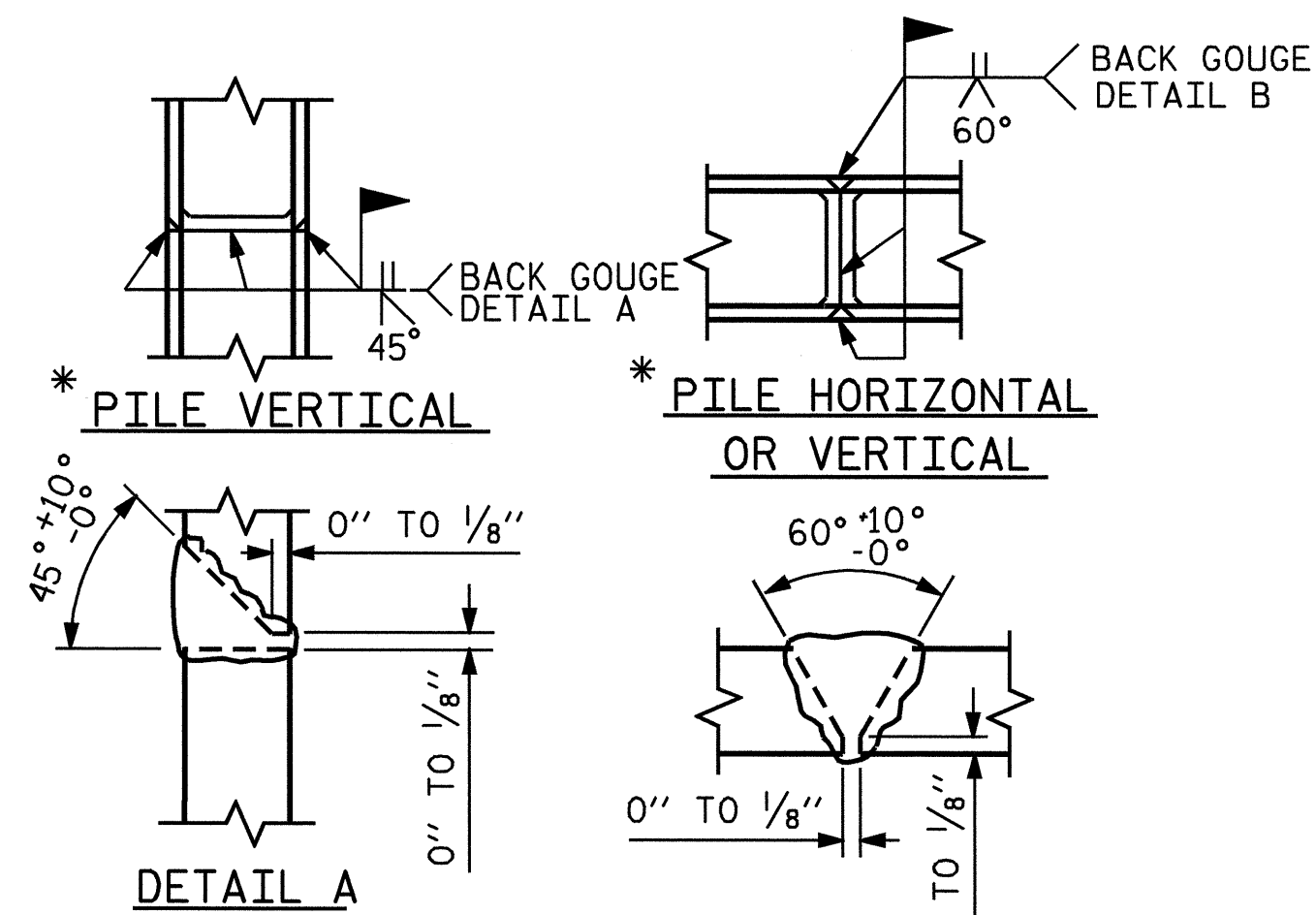


BAGGED STONE AND PIPE SHALL BE PLACED IMMEDIATELY AFTER COMPLETION OF END BENT EXCAVATION. PIPE MAY BE EITHER CONCRETE, CORRUGATED STEEL, CORRUGATED ALUMINUM ALLOY, OR CORRUGATED PLASTIC. PERFORATED PIPE WILL NOT BE ALLOWED.

BAGGED STONE SHALL REMAIN IN PLACE UNTIL THE ENGINEER DIRECTS THAT IT BE REMOVED. THE CONTRACTOR SHALL REMOVE AND DISPOSE OF SILT ACCUMULATIONS AT BAGGED STONE WHEN SO DIRECTED BY THE ENGINEER. BAGS SHALL BE REMOVED AND REPLACED WHENEVER THE ENGINEER DETERMINES THAT THEY HAVE DETERIORATED AND LOST THEIR EFFECTIVENESS.

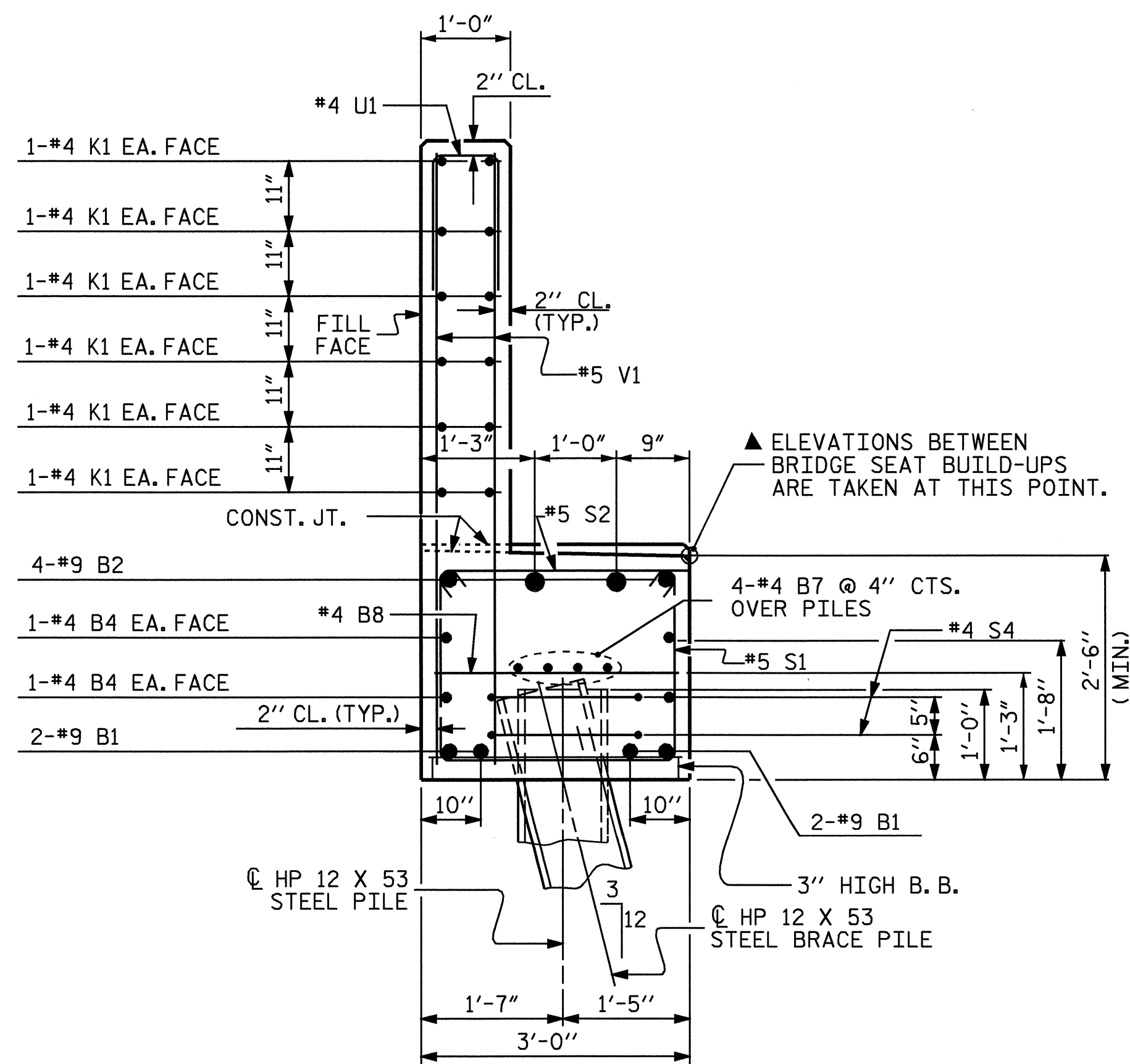
NO SEPARATE PAYMENT WILL BE MADE FOR THIS WORK AND THE ENTIRE COST OF THIS WORK SHALL BE INCLUDED IN THE UNIT CONTRACT PRICE BID FOR THE SEVERAL PAY ITEMS.

TEMPORARY DRAINAGE AT END BENT

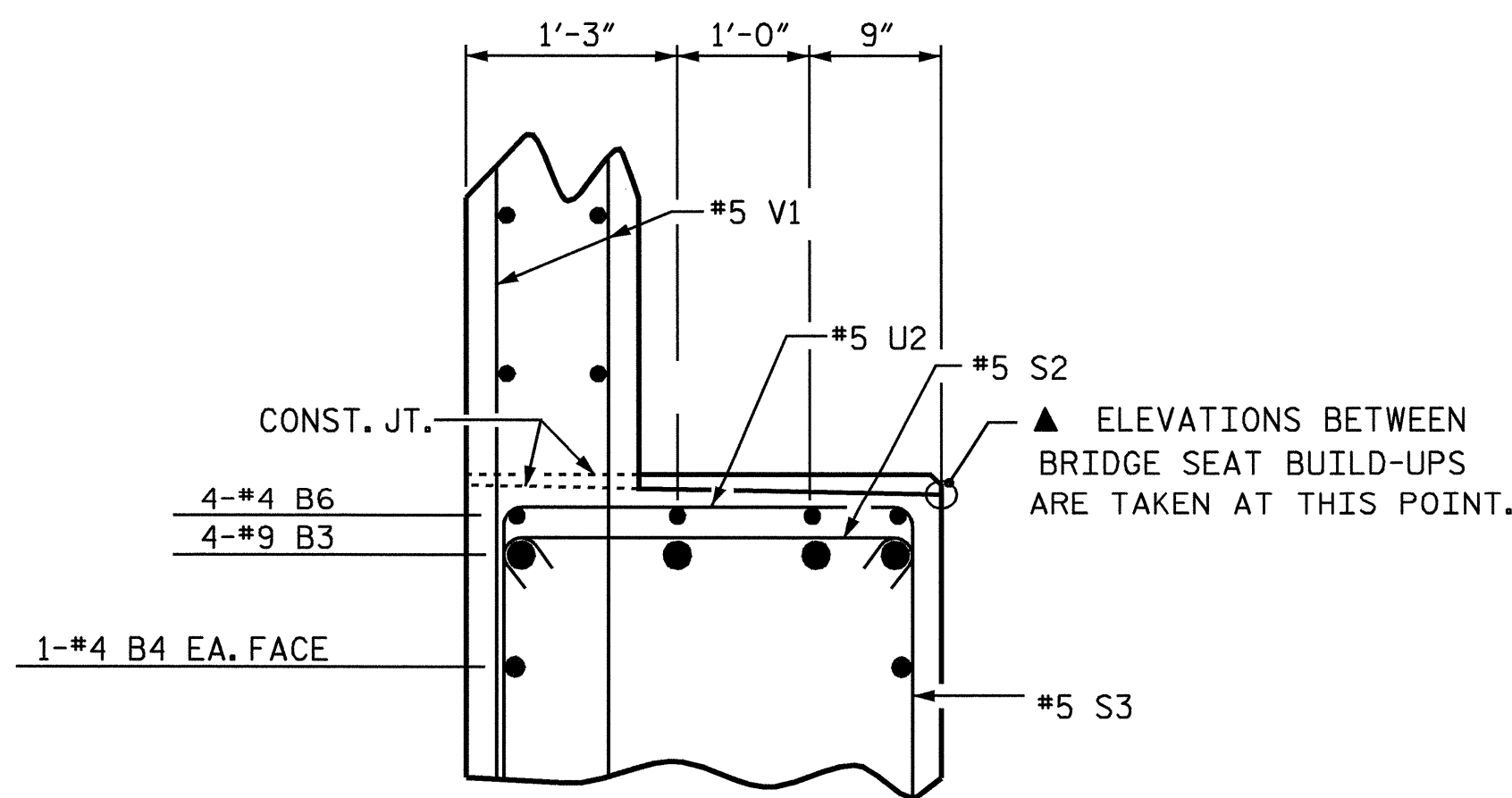


* POSITION OF PILE DURING WELDING. DETAIL B

PILE SPLICE DETAILS

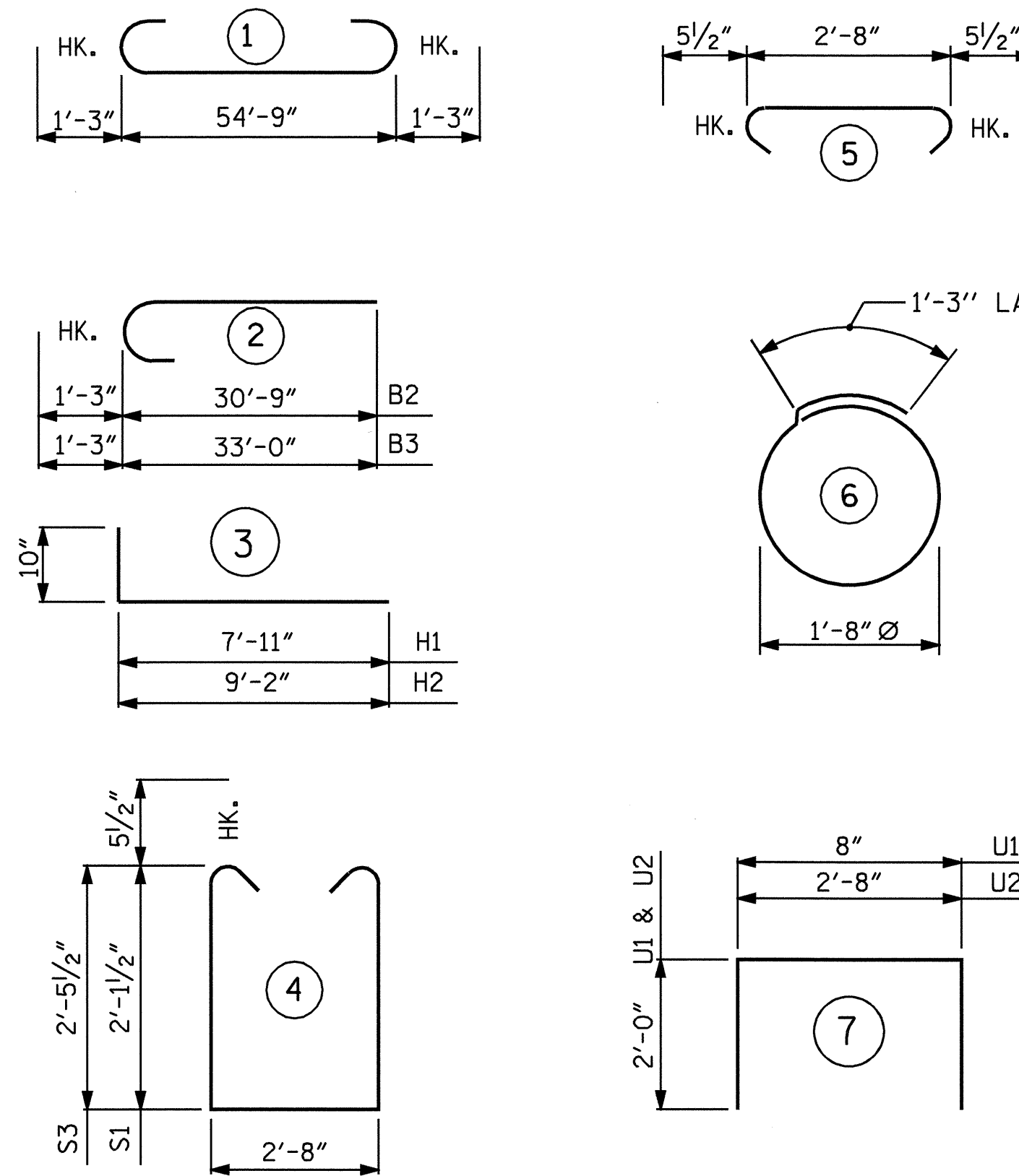


SECTION A-A



PARTIAL SECTION B-B

BAR TYPES



ALL BAR DIMENSIONS ARE OUT TO OUT.

BILL OF MATERIAL

END BENT No. 2					
BAR NO	SIZE	TYPE	LENGTH	WEIGHT	
B1	4	9	1	57'-3"	779
B2	4	9	2	32'-0"	435
B3	4	9	2	34'-3"	466
B4	8	4	STR	28'-8"	153
B5	8	4	STR	2'-6"	13
B6	4	4	STR	16'-0"	43
B7	8	4	STR	28'-8"	153
B8	17	4	STR	2'-8"	30
H1	20	5	3	8'-9"	183
H2	22	5	3	10'-0"	229
K1	24	4	STR	28'-8"	460
K2	8	4	STR	2'-7"	14
S1	27	5	4	7'-10"	221
S2	68	5	5	3'-7"	254
S3	41	5	4	8'-6"	363
S4	24	4	6	6'-6"	104
U1	50	4	7	4'-8"	156
U2	17	4	7	6'-8"	76
V1	100	5	STR	7'-3"	756
V2	24	5	STR	8'-6"	213
V3	26	5	STR	9'-5"	255
REINFORCING STEEL				5356	LBS.
CLASS A CONCRETE BREAKDOWN					
POUR #1 (CAP & LOWER WINGS)				19.7	C.Y.
POUR #2 (BACKWALL & UPPER WINGS)				14.7	C.Y.
TOTAL CLASS A CONCRETE				34.4	C.Y.
HP 12 X 53 STEEL PILES					
No. 12				720	LIN. FT.

PROJECT NO. R-2417BB
LEE COUNTY
 STATION: 565+49.40 -L-

SHEET 3 OF 3

STATE OF NORTH CAROLINA
 DEPARTMENT OF TRANSPORTATION
 RALEIGH

SUBSTRUCTURE
 END BENT No. 2
 RIGHT LANE



DRAWN BY : R. G. EMERSON DATE : 04/04
 CHECKED BY : A. R. CHESSON DATE : 04/04

REVISIONS					
NO.	BY:	DATE:	NO.	BY:	DATE:
1			3		
2			4		

SHEET NO. S-74
 TOTAL SHEETS 78