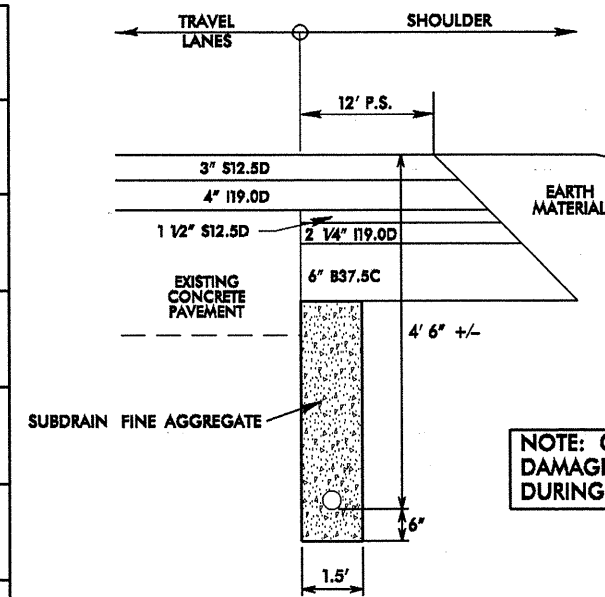


PAVEMENT SCHEDULE

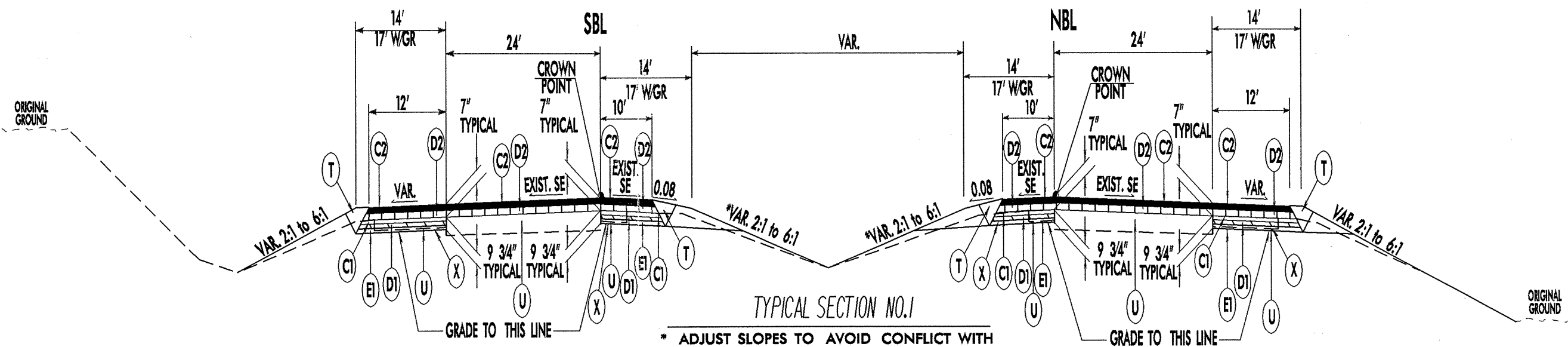
C1	PROP. APPROX. 1 1/2" ASPHALT CONCRETE SURFACE COURSE, TYPE S12.5D, AT AN AVERAGE RATE OF 168 LBS. PER SQ. YD.	E1	PROP. APPROX. 6" ASPHALT CONCRETE BASE COURSE, TYPE B37.5C, AT AN AVERAGE RATE OF 684 LBS. PER SQ. YD.
C2	PROP. APPROX. 3" ASPHALT CONCRETE SURFACE COURSE TYPE S12.5D, AT AN AVERAGE RATE OF 168 LBS. PER SQ. YD. IN EACH OF TWO LAYERS.	J1	PROP. 7" AGGREGATE BASE COURSE.
C3	PROP. VAR. DEPTH ASPHALT CONCRETE SURFACE COURSE, TYPE S12.5D, AT AN AVERAGE RATE OF 112 LBS. PER SQ. YD. PER 1" DEPTH, TO BE PLACED IN LAYERS NOT LESS THAN 1 1/4" IN DEPTH OR GREATER THAN 1 3/4" IN DEPTH.	P1	PRIME COAT AT THE RATE OF .50 GAL. PER SQ. YD.
D1	PROP. APPROX. 2 1/4" ASPHALT CONCRETE INTERMEDIATE COURSE, TYPE 119.0D, AT AN AVERAGE RATE OF 256.5 LBS. PER SQ. YD.	T	EARTH MATERIAL.
D2	PROP. APPROX. 4" ASPHALT CONCRETE INTERMEDIATE COURSE, TYPE 119.0D, AT AN AVERAGE RATE OF 456 LBS. PER SQ. YD.	U	EXISTING PAVEMENT.
D3	PROP. VAR. DEPTH ASPHALT CONCRETE INTERMEDIATE COURSE, TYPE 119.0D, AT AN AVERAGE RATE OF 114 LBS. PER SQ. YD. PER 1" DEPTH, TO BE PLACED IN LAYERS NOT LESS THAN 2 1/4" IN DEPTH OR GREATER THAN 4" IN DEPTH.	X	PROP. APPROX. 9 3/4" MILLING (SEE MILLING DETAIL)



NOTE: CARE SHALL BE TAKEN TO AVOID DAMAGING EXISTING SHOULDER DRAINS DURING CONSTRUCTION.

UNDER DRAIN DETAIL
USE IN CONJUNCTION WITH TYPICAL SECTION NO.1
LOCATION TO BE DETERMINED BY THE ENGINEER.

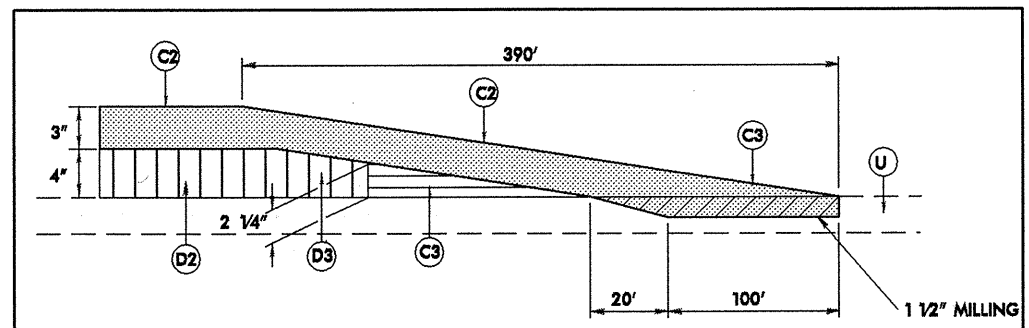
NOTE: PAVEMENT EDGE SLOPES ARE 1:1 UNLESS SHOWN OTHERWISE.



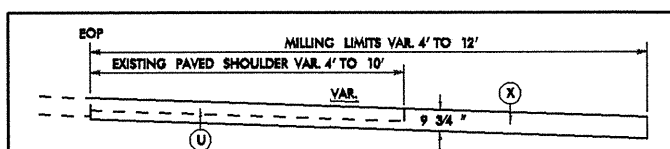
TYPICAL SECTION NO.1

* ADJUST SLOPES TO AVOID CONFLICT WITH EXISTING UTILITY POLES AT INTERCHANGES.

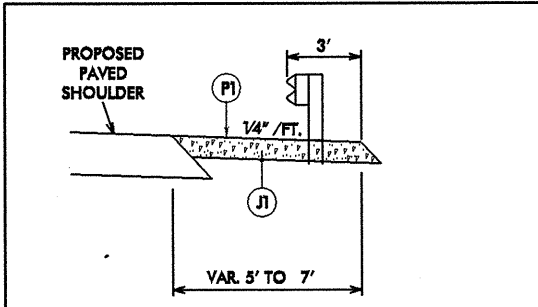
* NOTE: 6:1 MINIMUM SLOPES IN 60' MEDIANS WITH EXISTING CABLE GUIDE RAIL. ADJUST MEDIAN DI'S AS DIRECTED BY THE ENGINEER.



DETAIL OF PAVEMENT FEATHERING
USE IN CONJUNCTION WITH TYPICAL SECTION NO.1 AT ALL BRIDGES AND AT ALL TIE INS AS DIRECTED BY THE ENGINEER



DETAIL SHOWING MILLING
AT MEDIAN AND OUTSIDE SHOULDERS UNDERCUT WHERE DIRECTED BY THE ENGINEER



DETAIL OF ABC @ STEEL BEAM GUARDRAIL
USE IN CONJUNCTION WITH TYPICAL SECTION NO.1 FOR ALL STEEL BEAM GUARDRAIL LOCATIONS AT MEDIAN AND OUTSIDE SHOULDERS

25-AUG-2004 10:55 AM 1:3605.dwg - typ.dgn

PROJECT REFERENCE NO. 1-3605	SHEET NO. 2
ROADWAY DESIGN ENGINEER	PAVEMENT DESIGN ENGINEER