

14-APR-2004 14:19
 W:\Special Details\stds\stds\02:stds to Special Details\english\86501\0865d01.dgn
 reviewed At DS212260

5/14/99

STATE OF
 NORTH CAROLINA
 DEPT. OF TRANSPORTATION
 DIVISION OF HIGHWAYS
 RALEIGH, N.C.

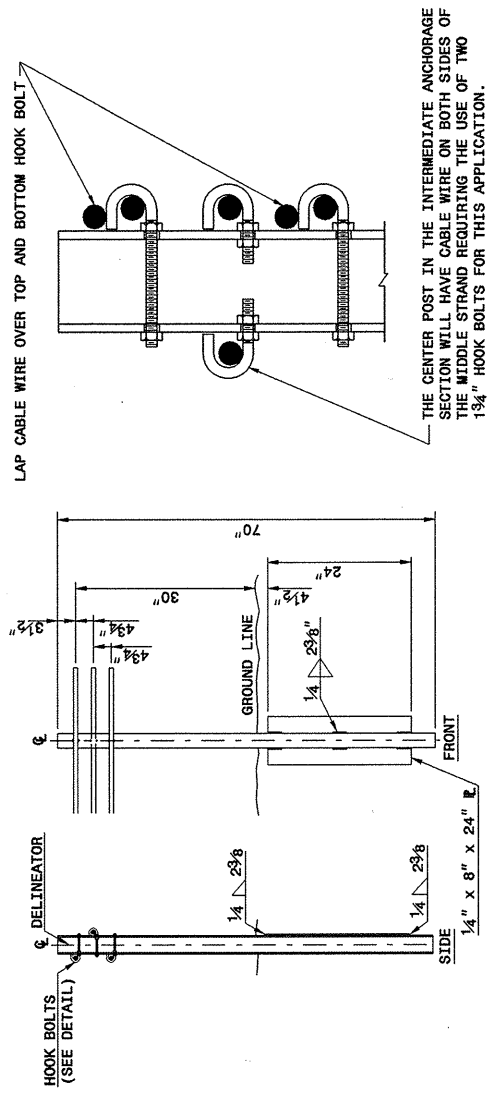
ENGLISH DETAIL DRAWING FOR
CABLE GUIDERAIL
 DOUBLE FACE GUIDERAIL - POST DETAILS

SHEET 5 OF 11
865D01

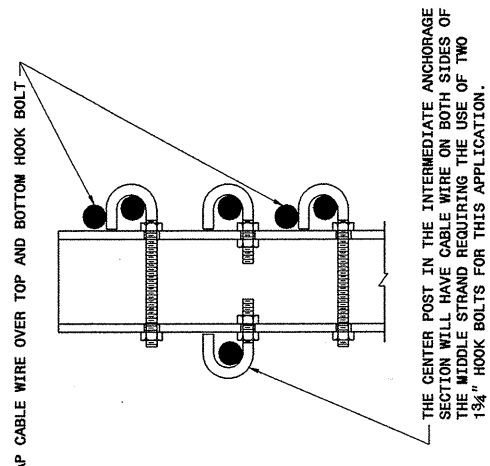
STATE OF
 NORTH CAROLINA
 DEPT. OF TRANSPORTATION
 DIVISION OF HIGHWAYS
 RALEIGH, N.C.

ENGLISH DETAIL DRAWING FOR
CABLE GUIDERAIL
 DOUBLE FACE GUIDERAIL - POST DETAILS

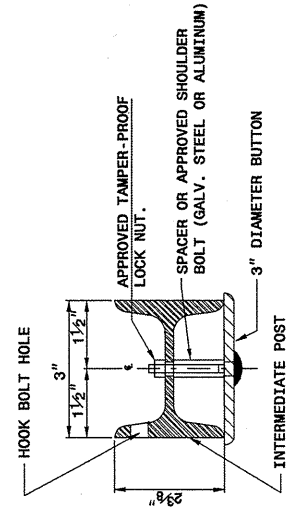
SHEET 5 OF 11
865D01



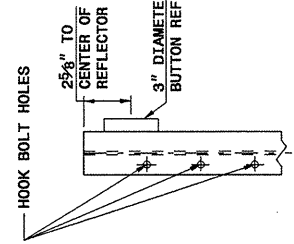
**DOUBLE FACE GUIDERAIL
 INTERMEDIATE POST**



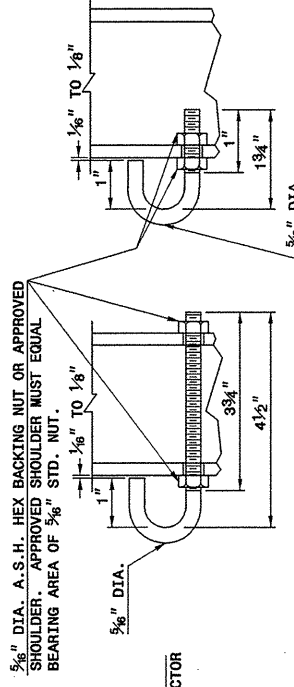
**DETAIL "A" CENTER POST
 INTERMEDIATE ANCHORAGE SECTION**



**REFLECTOR MOUNT DETAIL
 PLAN VIEW**



**REFLECTOR MOUNT DETAIL
 ELEVATION VIEW**



HOOK BOLT (ALTERNATES)

STATE OF
 NORTH CAROLINA
 DEPT. OF TRANSPORTATION
 DIVISION OF HIGHWAYS
 RALEIGH, N.C.

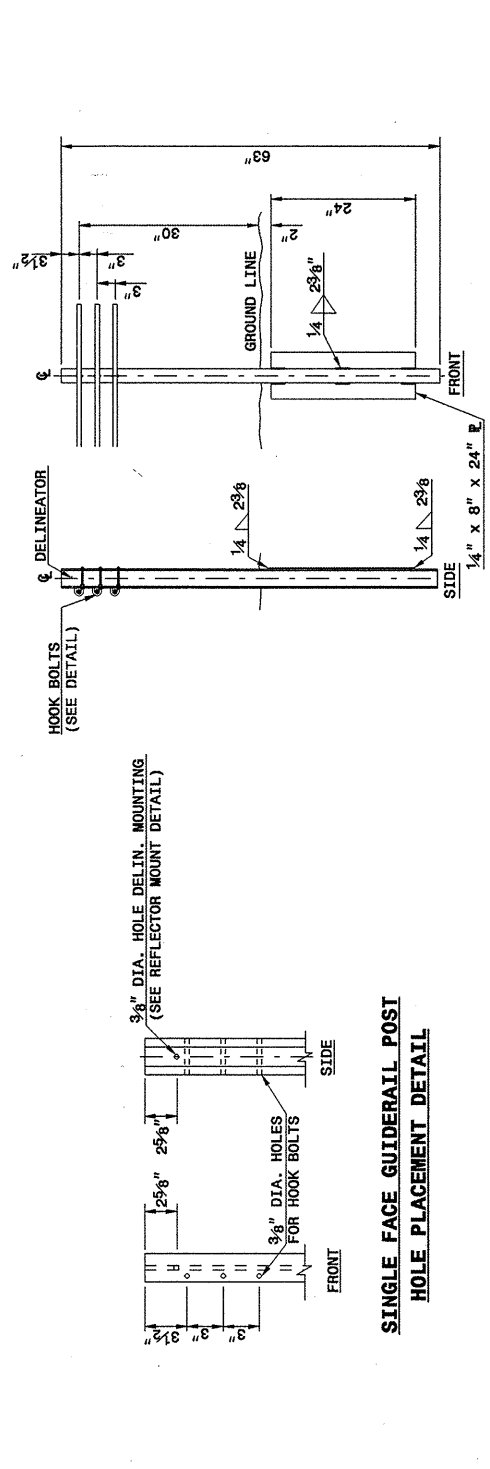
ENGLISH DETAIL DRAWING FOR
CABLE GUIDERAIL
 SINGLE FACE GUIDERAIL - POST DETAILS

SHEET 6 OF 11
865D01

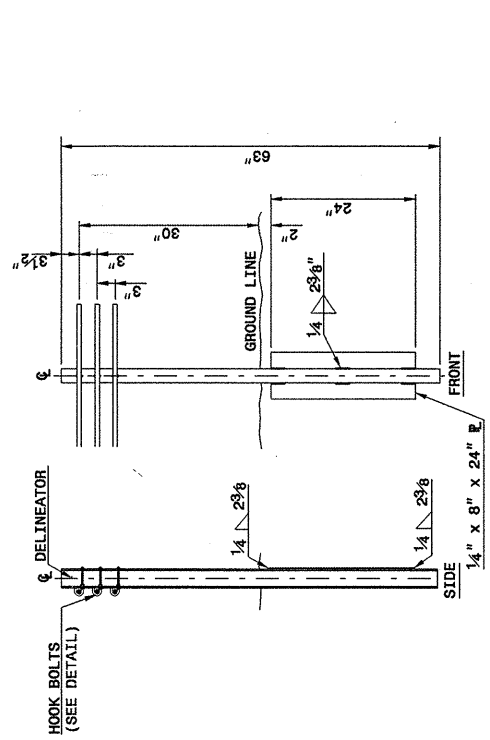
STATE OF
 NORTH CAROLINA
 DEPT. OF TRANSPORTATION
 DIVISION OF HIGHWAYS
 RALEIGH, N.C.

ENGLISH DETAIL DRAWING FOR
CABLE GUIDERAIL
 SINGLE FACE GUIDERAIL - POST DETAILS

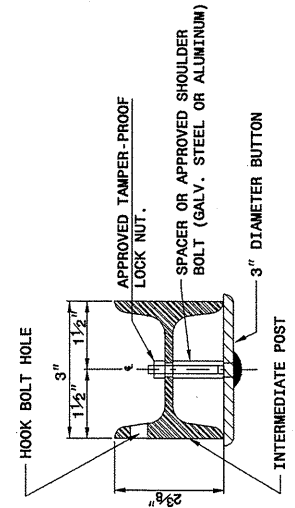
SHEET 6 OF 11
865D01



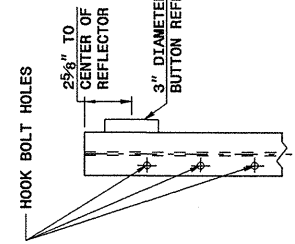
**SINGLE FACE GUIDERAIL
 INTERMEDIATE POST**



HOOK BOLT (ALTERNATES)



**REFLECTOR MOUNT DETAIL
 PLAN VIEW**



**REFLECTOR MOUNT DETAIL
 ELEVATION VIEW**

**DESIGN SERVICES UNIT
 STANDARDS AND SPECIAL DESIGN**
 Office 919-250-4128 FAX 919-250-4119

SEE PLATE FOR TITLE

ORIGINAL BY: 2002 STANDARDS DATE: 1-15-02
 MODIFIED BY: E.E. WARD DATE: 4-07-04
 CHECKED BY: DATE:
 FILE SPEC.: /usr/std/02stds to details/english/86501/0865d01.dgn