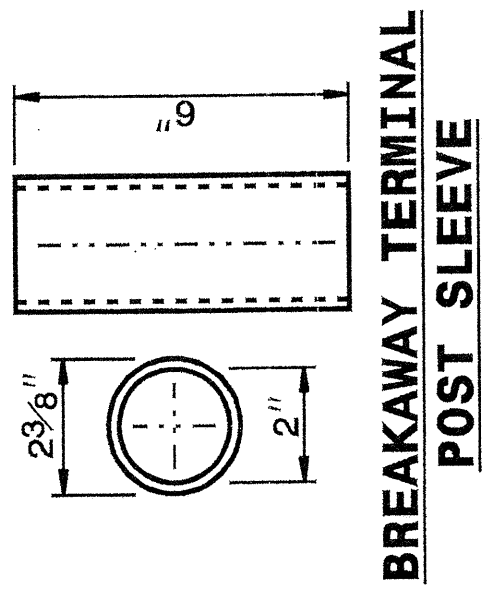


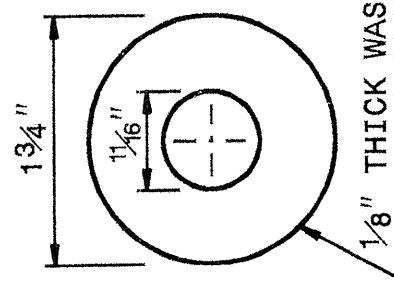
STATE OF
 NORTH CAROLINA
 DEPT. OF TRANSPORTATION
 DIVISION OF HIGHWAYS
 RALEIGH, N.C.

ENGLISH DETAIL DRAWING FOR
GUARDRAIL INSTALLATION

SHEET 5 OF 7
862D02

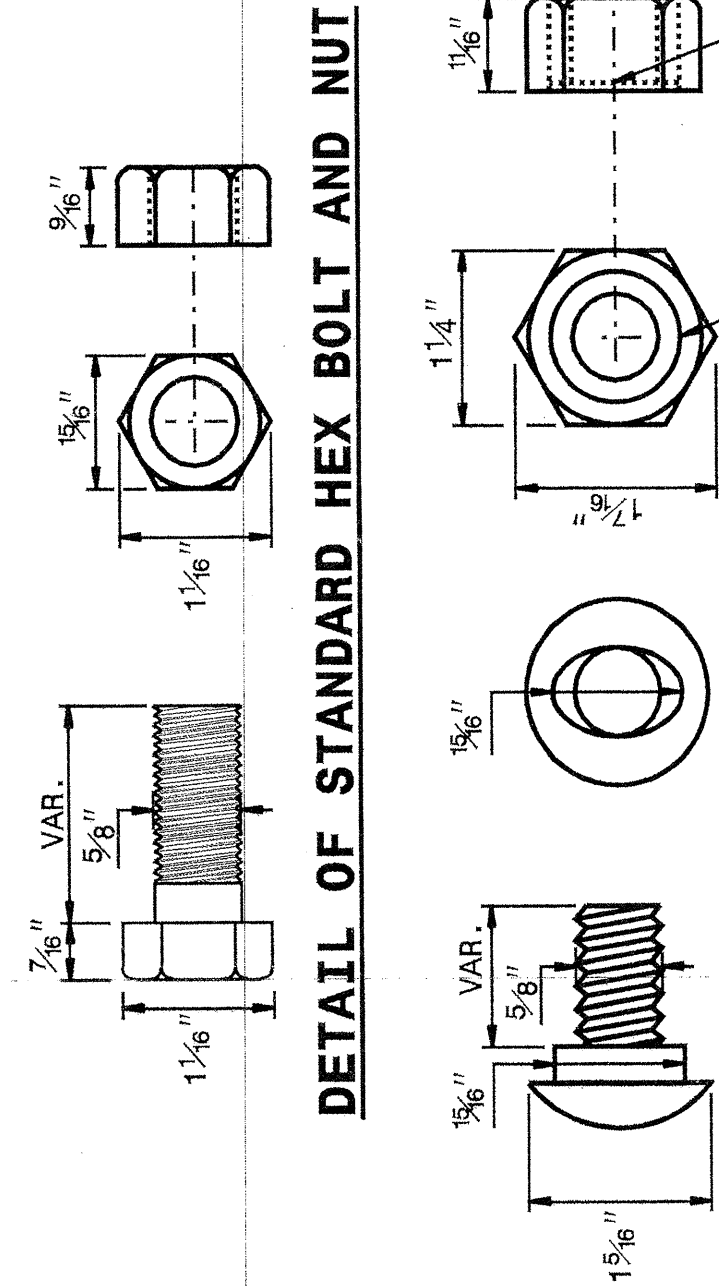


**BREAKAWAY TERMINAL
 POST SLEEVE**



DETAIL OF STANDARD WASHER

STANDARD WASHER: TYPICAL USE UNDER NUT WITH WOOD POST

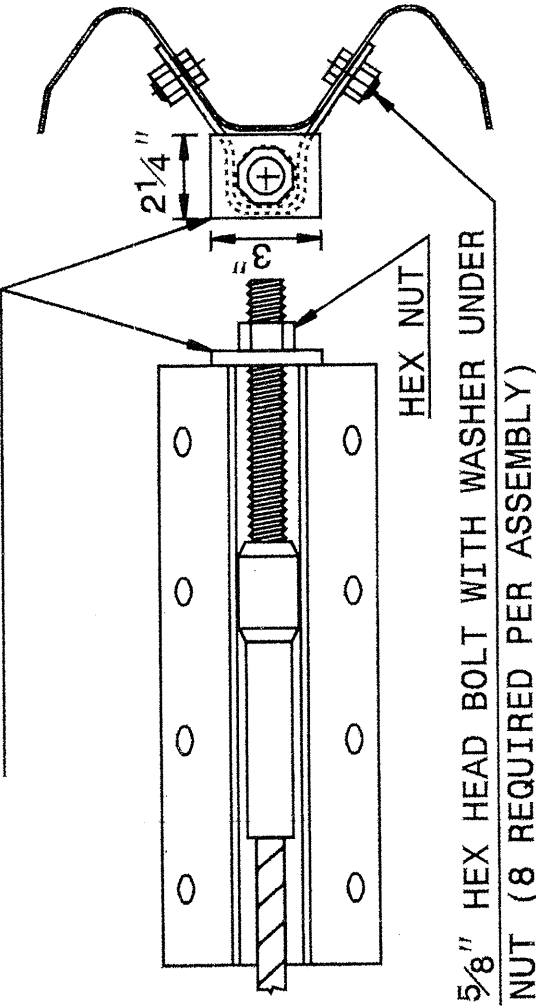


DETAIL OF STANDARD HEX BOLT AND NUT

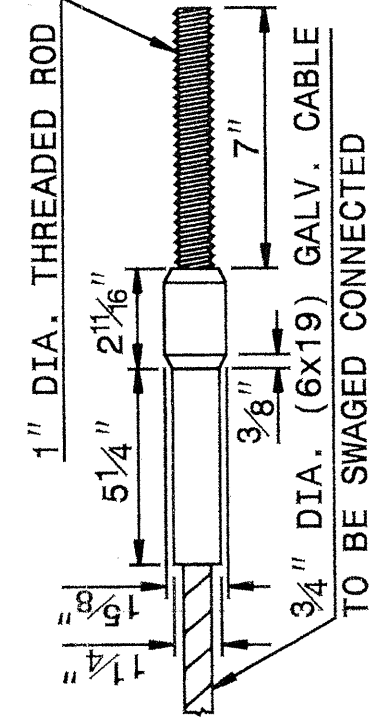
DETAIL OF BUTTON HEAD BOLT AND NUT

SYSTEM PARTS

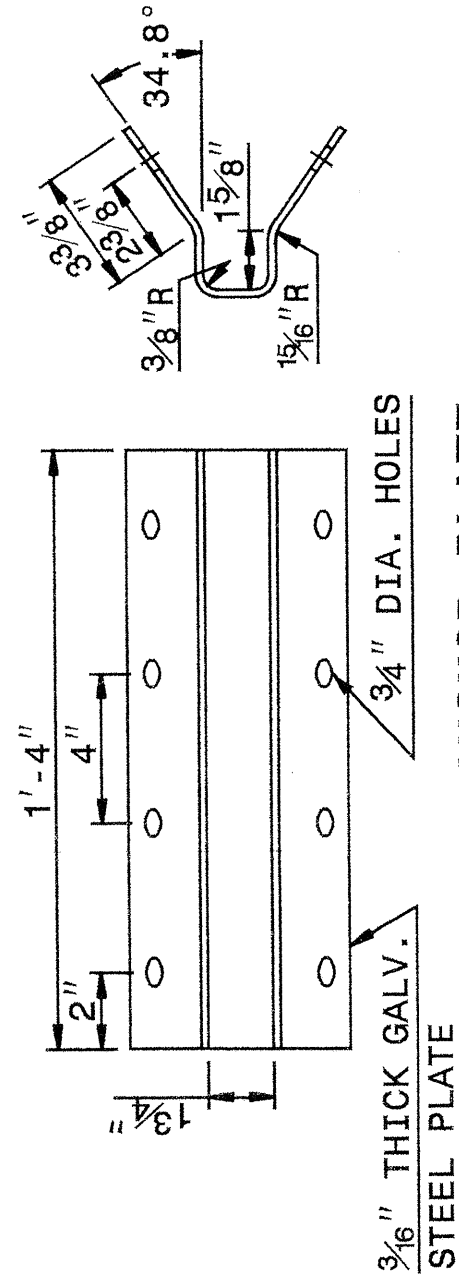
3/8" THICK END PLATE
 WITH 1 1/8" DIA. HOLE
 CENTERED IN PLATE.
 END PLATE TO BE WELDED
 TO ANCHOR PLATE.



ANCHOR PLATE ASSEMBLY



SWAGED CABLE



ANCHOR PLATE

CABLE ASSEMBLY

SHEET 5 OF 7
862D02

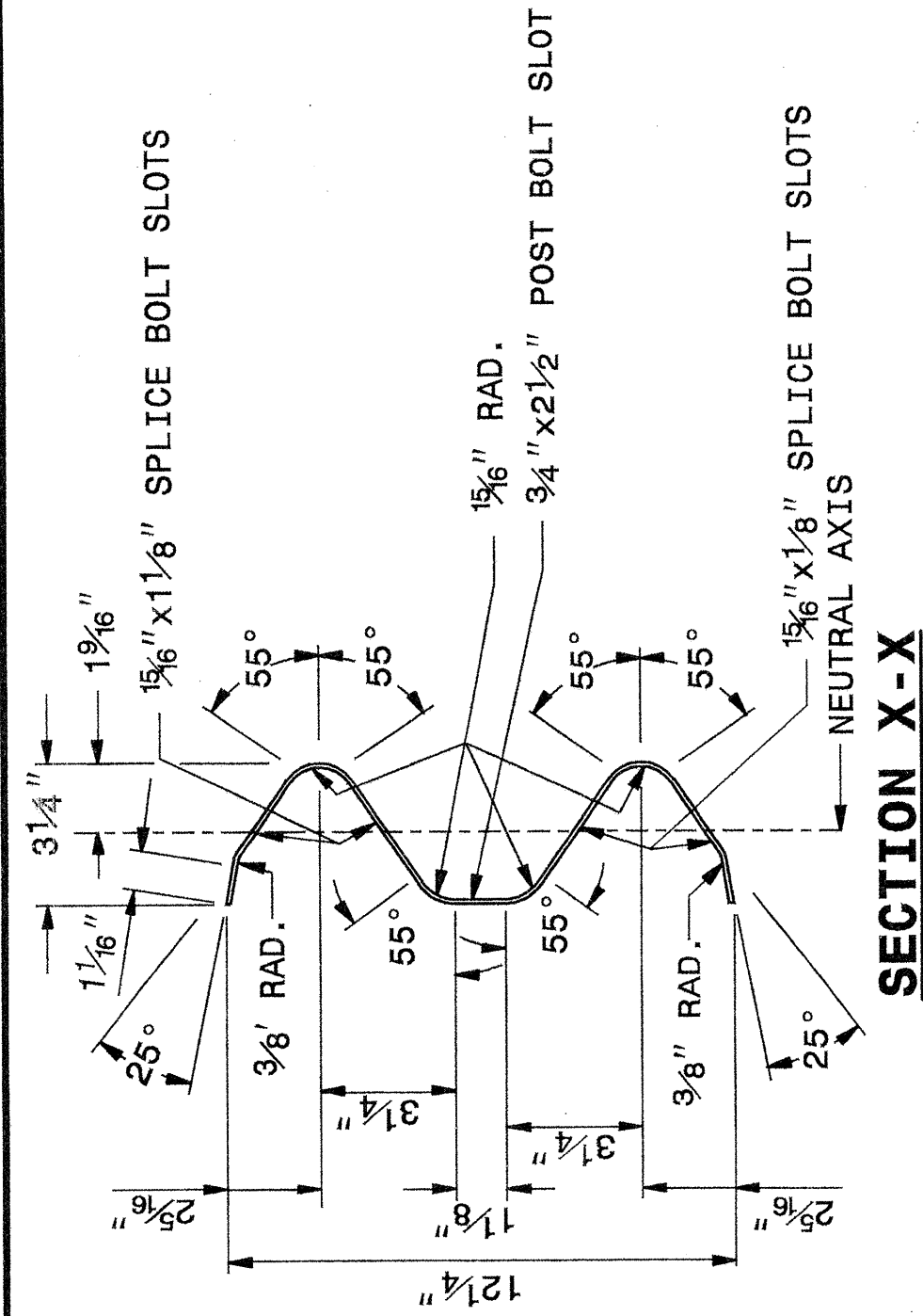
ENGLISH DETAIL DRAWING FOR
GUARDRAIL INSTALLATION

STATE OF
 NORTH CAROLINA
 DEPT. OF TRANSPORTATION
 DIVISION OF HIGHWAYS
 RALEIGH, N.C.

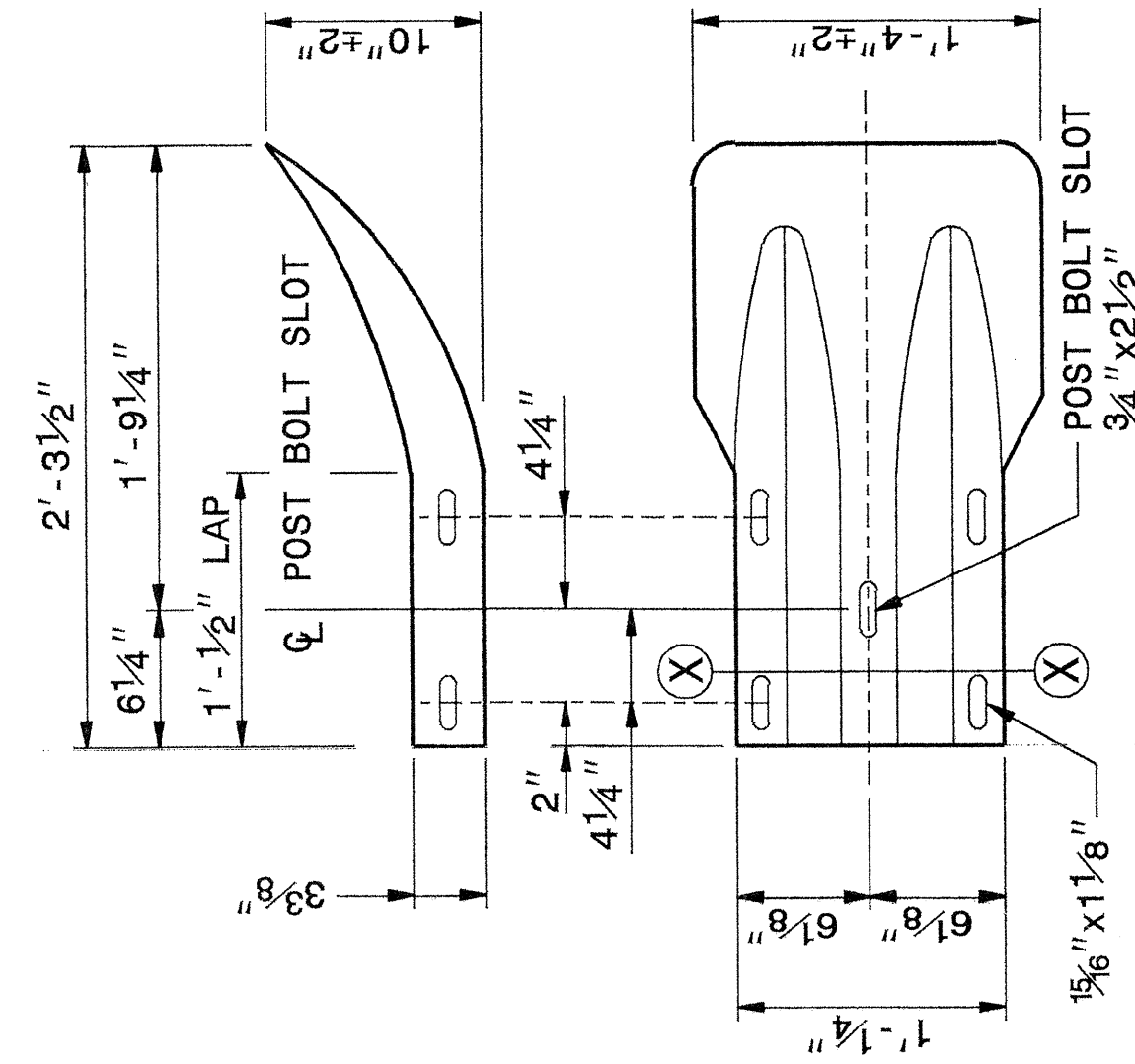
STATE OF
 NORTH CAROLINA
 DEPT. OF TRANSPORTATION
 DIVISION OF HIGHWAYS
 RALEIGH, N.C.

ENGLISH DETAIL DRAWING FOR
GUARDRAIL INSTALLATION

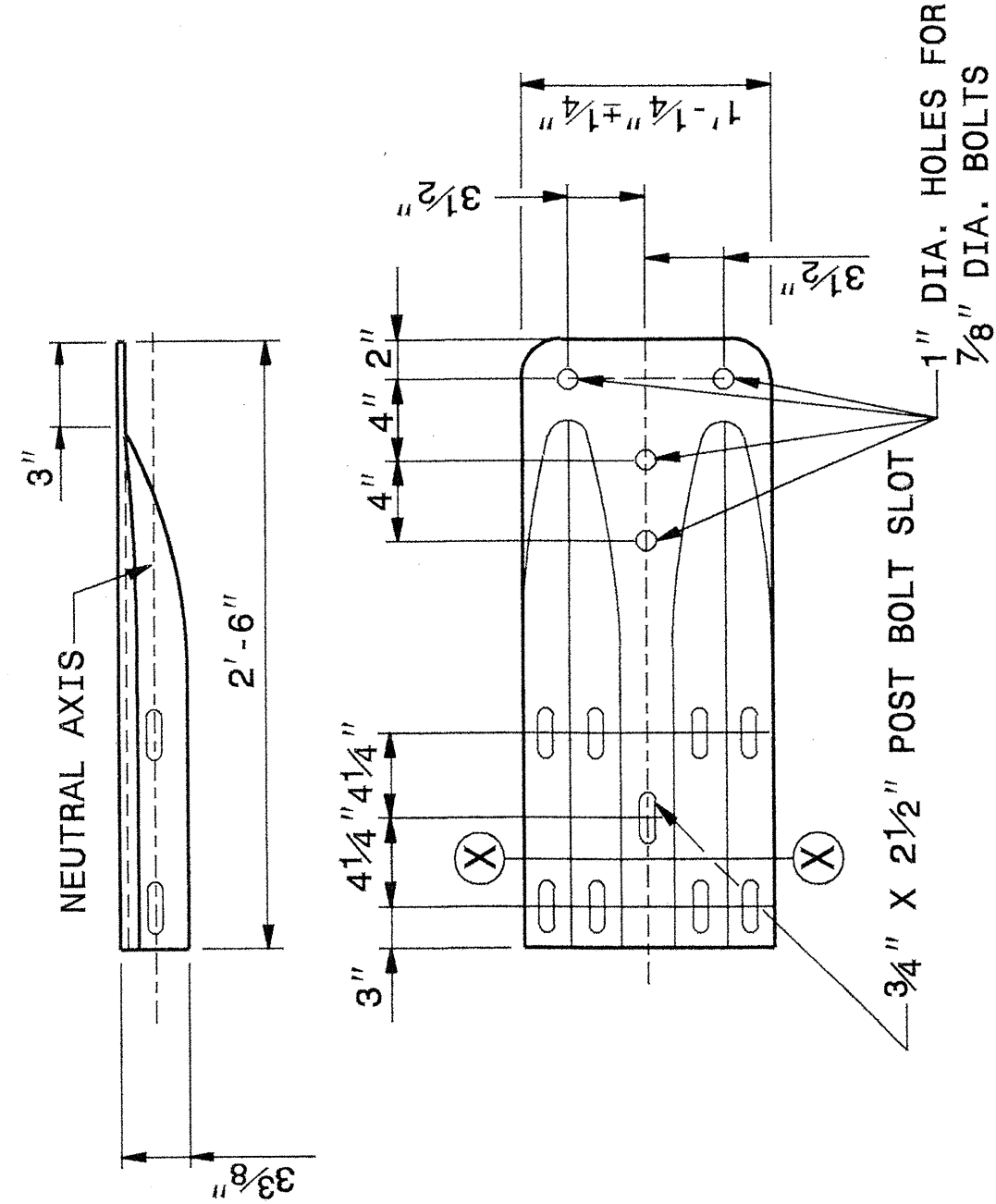
SHEET 6 OF 7
862D02



SECTION X-X



TERMINAL END SECTION



TYPICAL END SHOE

SYSTEM PARTS - GENERAL USE

SHEET 6 OF 7
862D02

DESIGN SERVICES UNIT
 STANDARDS AND SPECIAL DESIGN
 Office 919-250-4128 FAX 919-250-4119

SEE PLATE FOR TITLE

ORIGINAL BY: 2002 STD.862.02 DATE:
 MODIFIED BY: E. E. WARD DATE: 02-09-03
 CHECKED BY: C. H. HARRIS DATE: 5-03
 FILE SPEC.: /usr/std/02todetd/eng1ish/862d02/862d02.dgn

