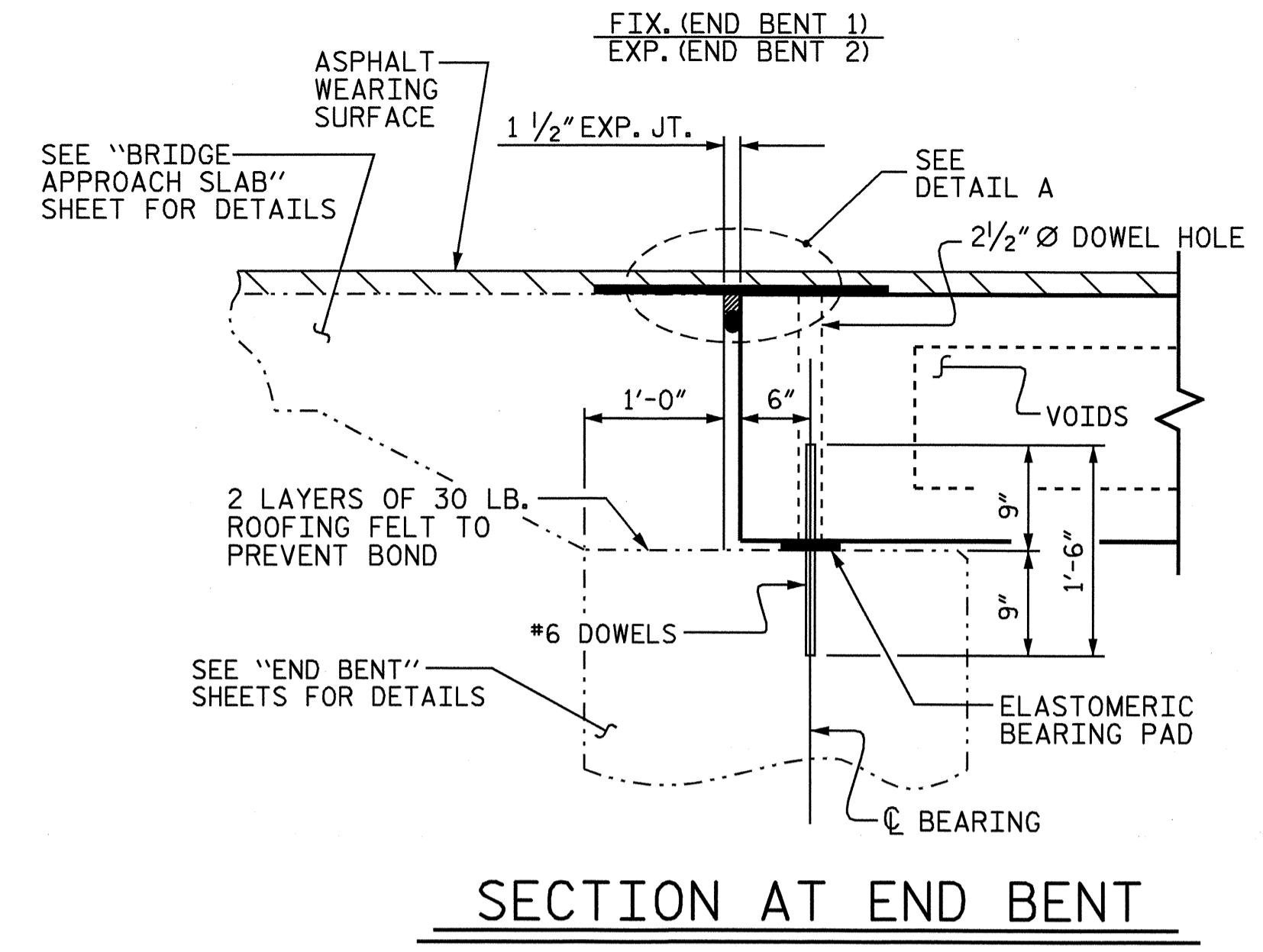
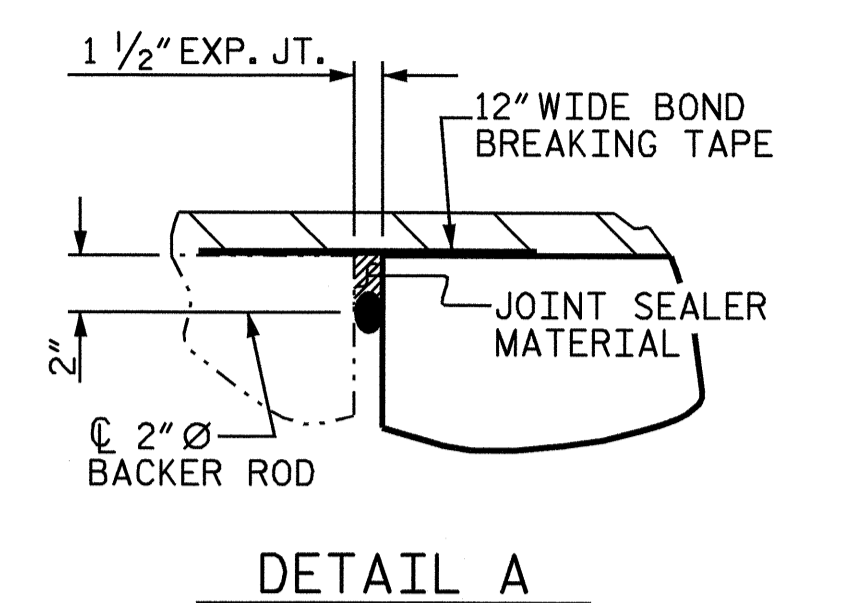


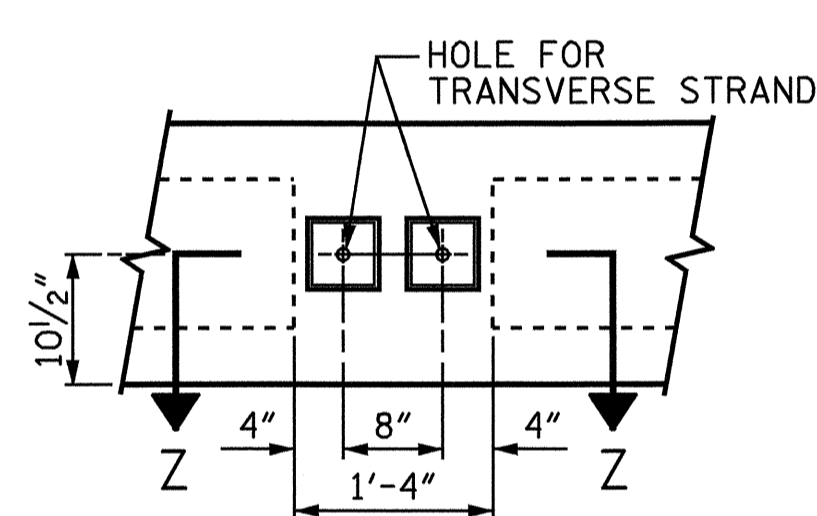
TYPICAL SECTION



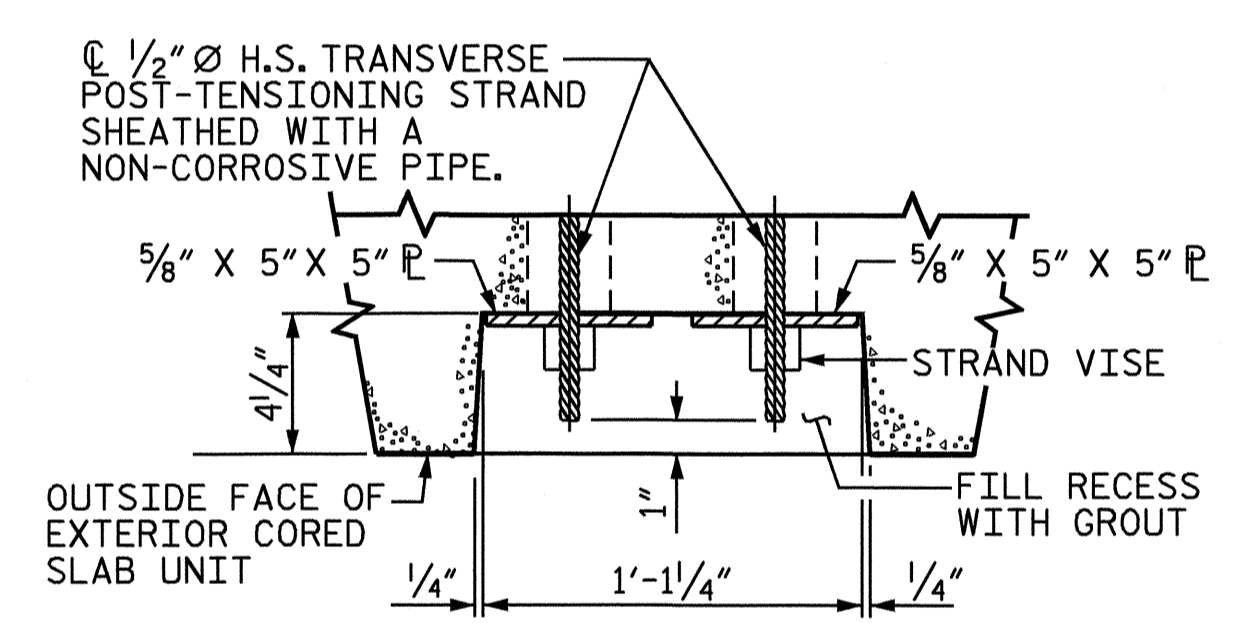
SECTION AT END BENT



DETAIL A

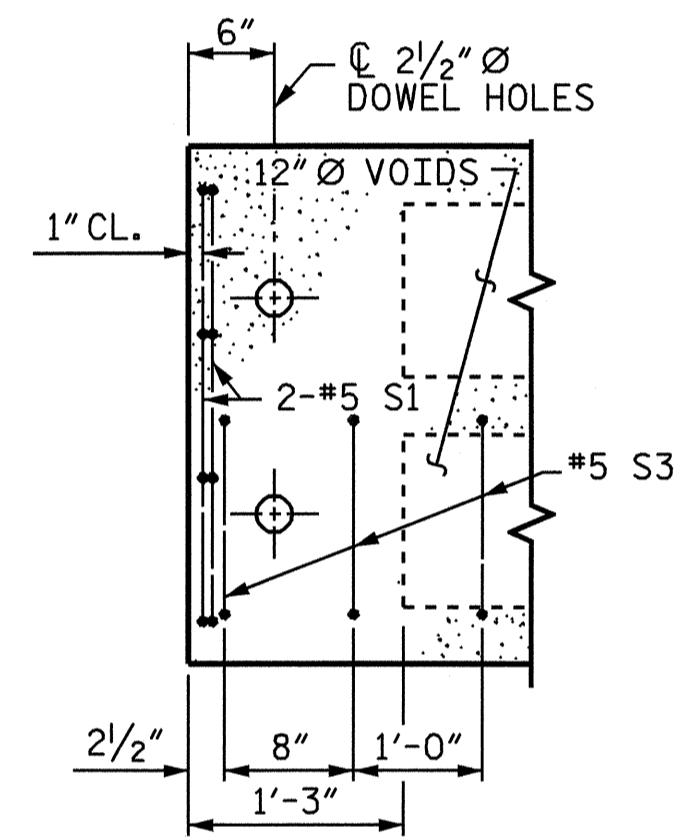


ELEVATION VIEW C-C



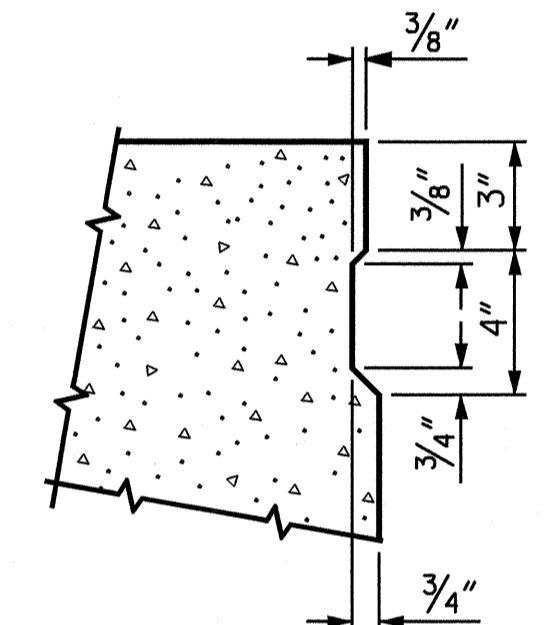
SECTION Z-Z

GROUTED RECESS AT END OF POST-TENSIONED STRAND - CORED SLAB UNITS



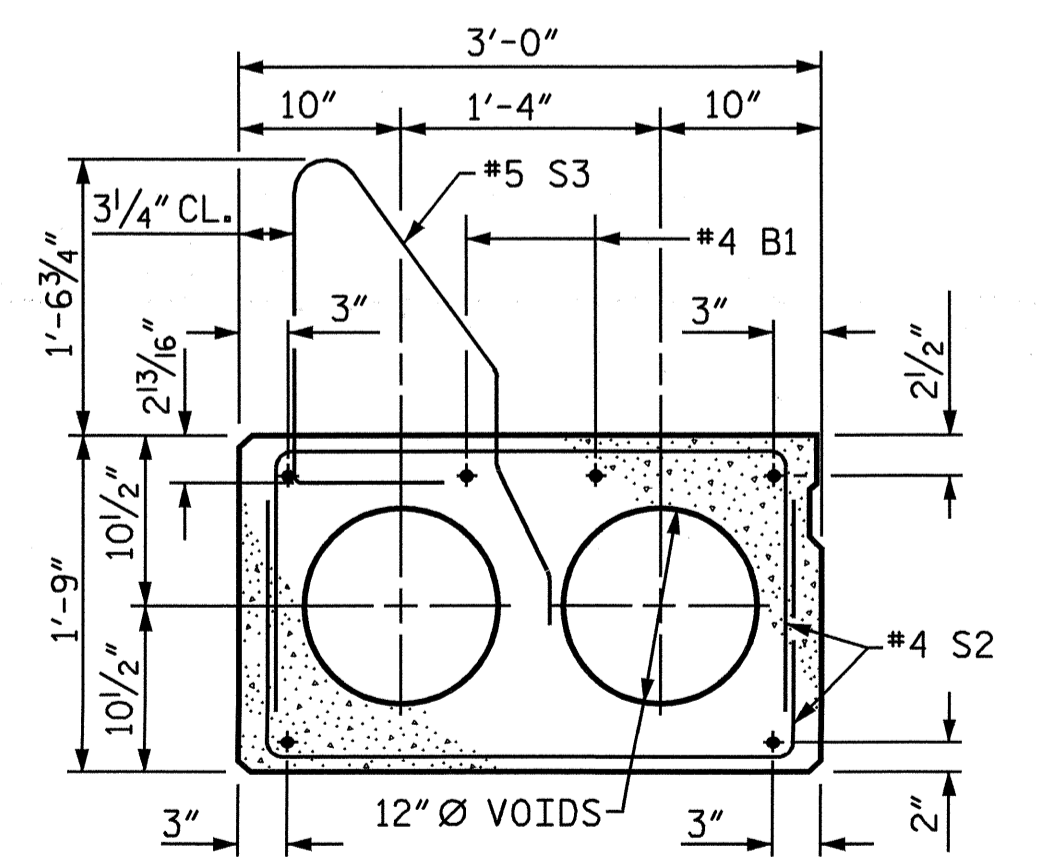
PART PLAN-EXTERIOR SECTION

NOTE: EXTERIOR SECTION SHOWN-INTERIOR SECTION SIMILAR EXCEPT OMIT S3 BARS.



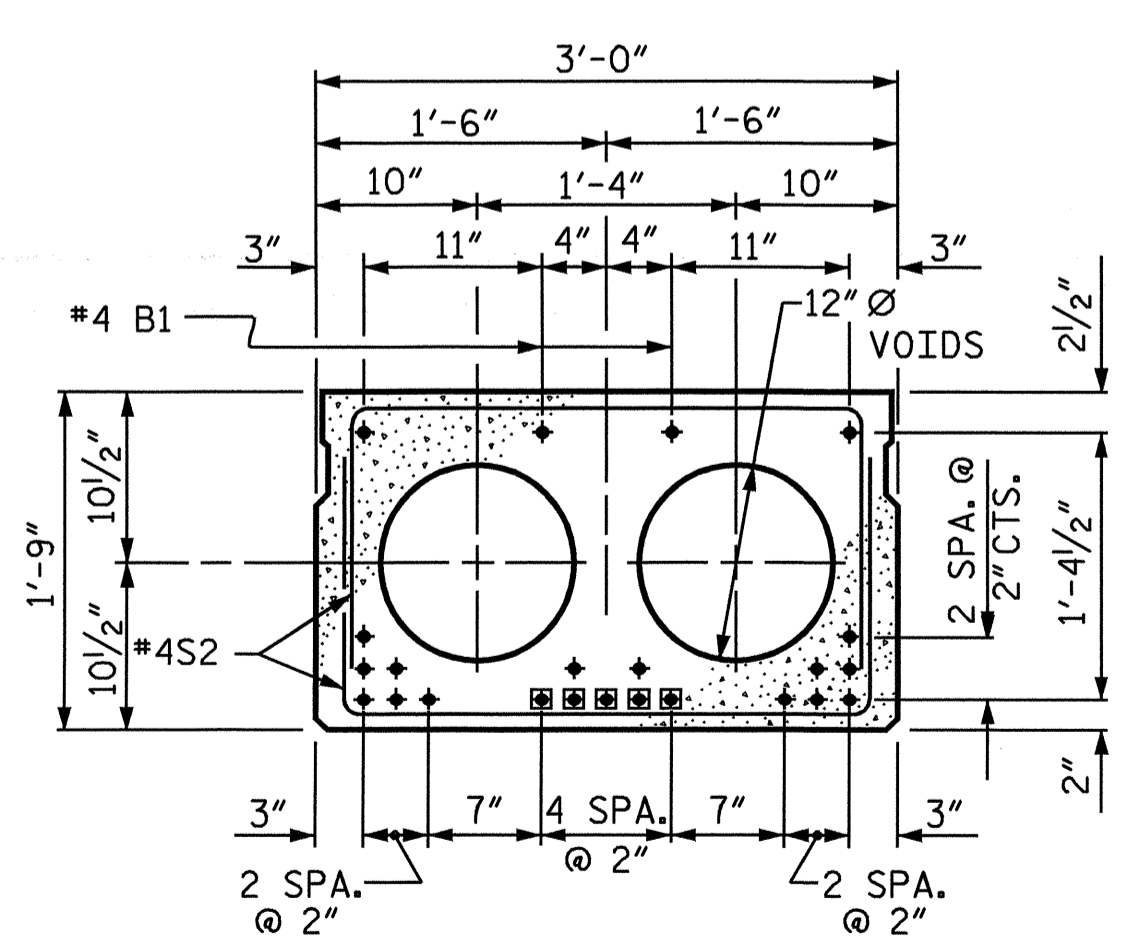
SHEAR KEY DETAIL

NOTE: OMIT SHEAR KEY ON OUTSIDE FACE OF EXTERIOR CORED SLAB UNITS



EXTERIOR SLAB SECTION

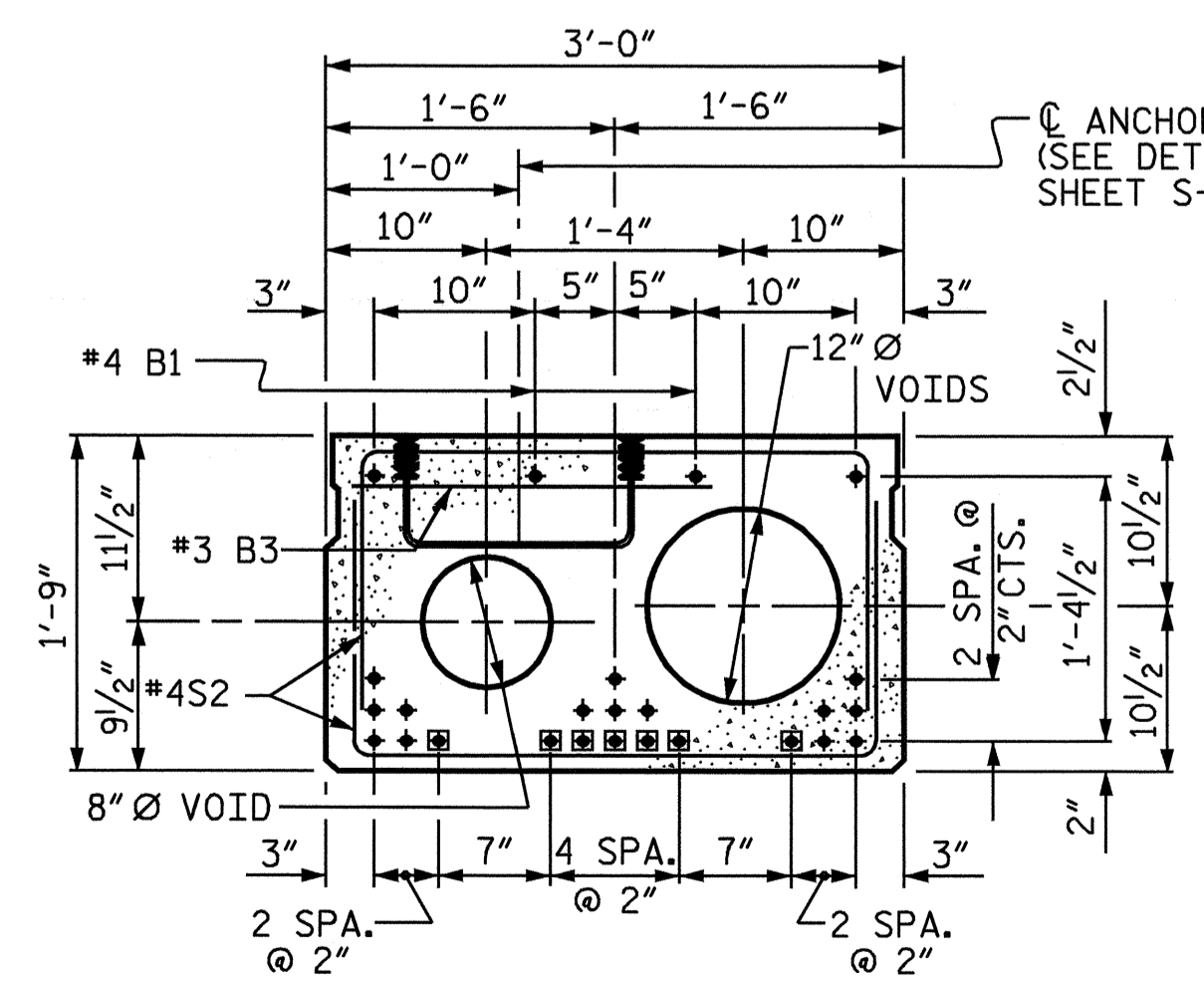
(TYPE I)  
(FOR PRESTRESSED STRAND LAYOUT, SEE INTERIOR SLAB SECTION)



INTERIOR SLAB SECTION

0.6" Ø LOW RELAXATION STRAND LAYOUT

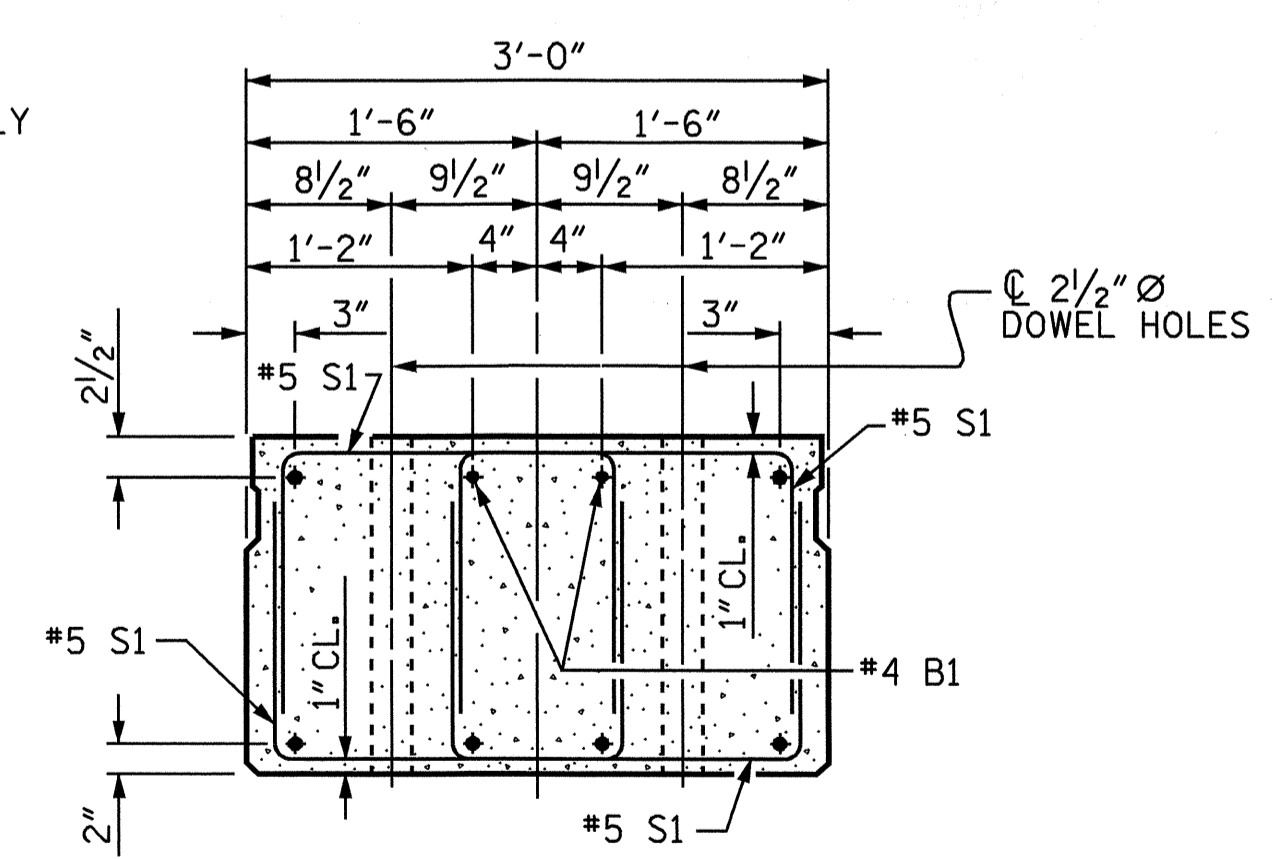
(TYPES I & II) (21 STRANDS)



INTERIOR SLAB SECTION

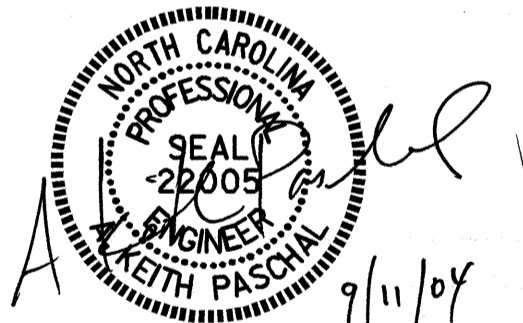
0.6" Ø LOW RELAXATION STRAND LAYOUT

(TYPE III) (23 STRANDS)



END ELEVATION

SHOWING PLACEMENT OF DOUBLE STIRRUPS & LOCATION OF DOWEL HOLES (STRAND LAYOUT NOT SHOWN)  
INTERIOR SLAB SECTION SHOWN-EXTERIOR SLAB SECTION SIMILAR EXCEPT SHEAR KEY LOCATION



PROJECT NO. B-3667  
JACKSON COUNTY  
STATION: 12+52.50 -L-  
SHEET 1 OF 5

STATE OF NORTH CAROLINA  
DEPARTMENT OF TRANSPORTATION  
RALEIGH  
SUPERSTRUCTURE  
TYPICAL SECTION  
3'-0" X 1'-9"  
PRESTRESSED CONCRETE  
CORED SLAB UNIT

| REVISIONS |     |       |     |     |       | SHEET NO.    |  |
|-----------|-----|-------|-----|-----|-------|--------------|--|
| NO.       | BY: | DATE: | NO. | BY: | DATE: | S-5          |  |
| 1         |     |       | 3   |     |       | TOTAL SHEETS |  |
| 2         |     |       | 4   |     |       | 37           |  |

DRAWN BY: K. McCAULEY DATE: 2/5/04  
CHECKED BY: A. MEADOWS DATE: 7/12/04

09-SEP-2004 15:39  
W:\squadp\b3667\str1\kccauley\Microstation\B3667\_ed\_CS\_01.dgn  
kccauley

⊠ BOND SHALL BE BROKEN ON THESE STRANDS FOR A DISTANCE OF 4'-0" (TYPES I & II) AND 5'-11" (TYPE III) FROM END OF CORED SLAB UNIT. SEE STANDARD SPECIFICATIONS ARTICLE 1078-7.