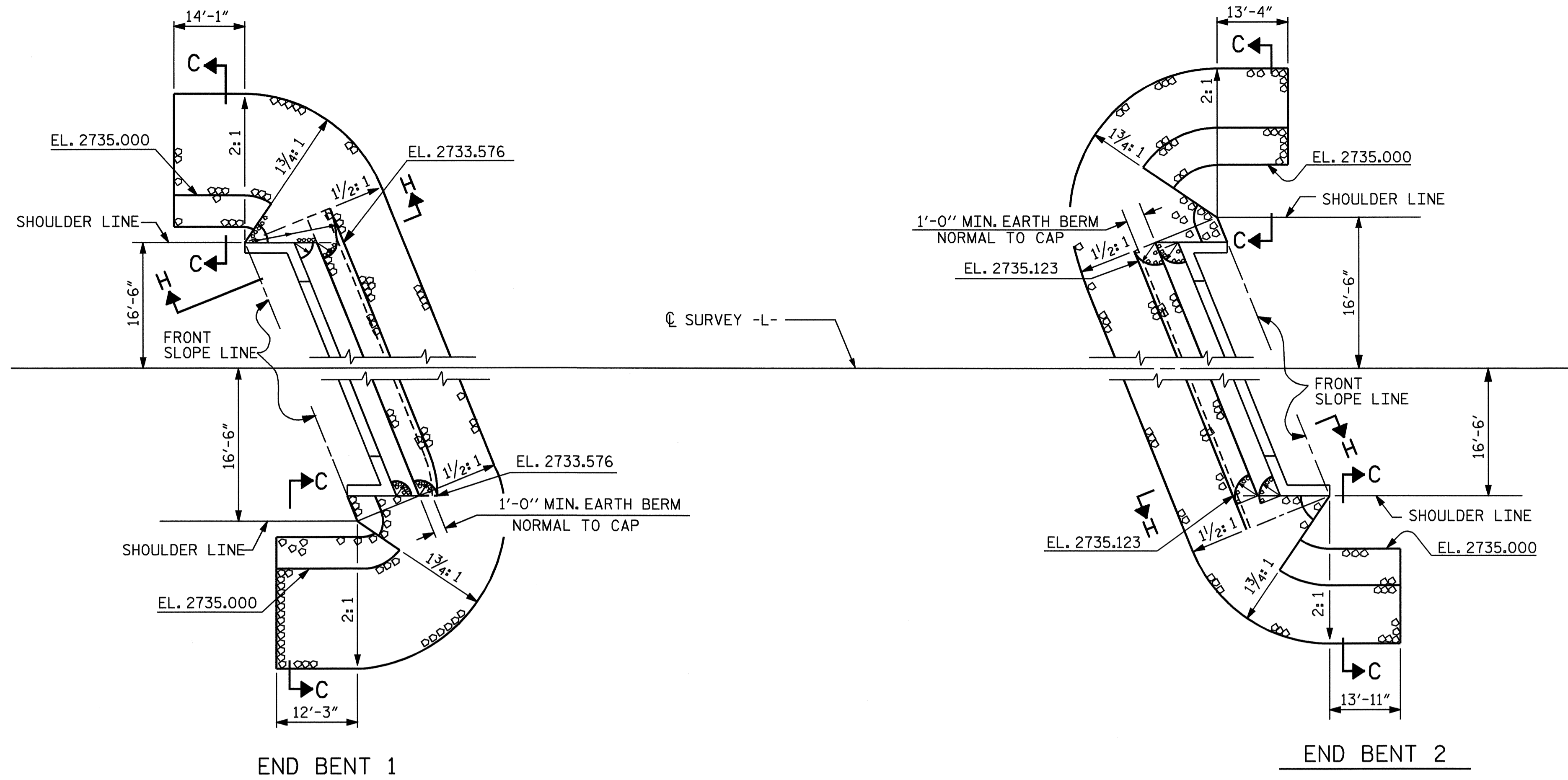


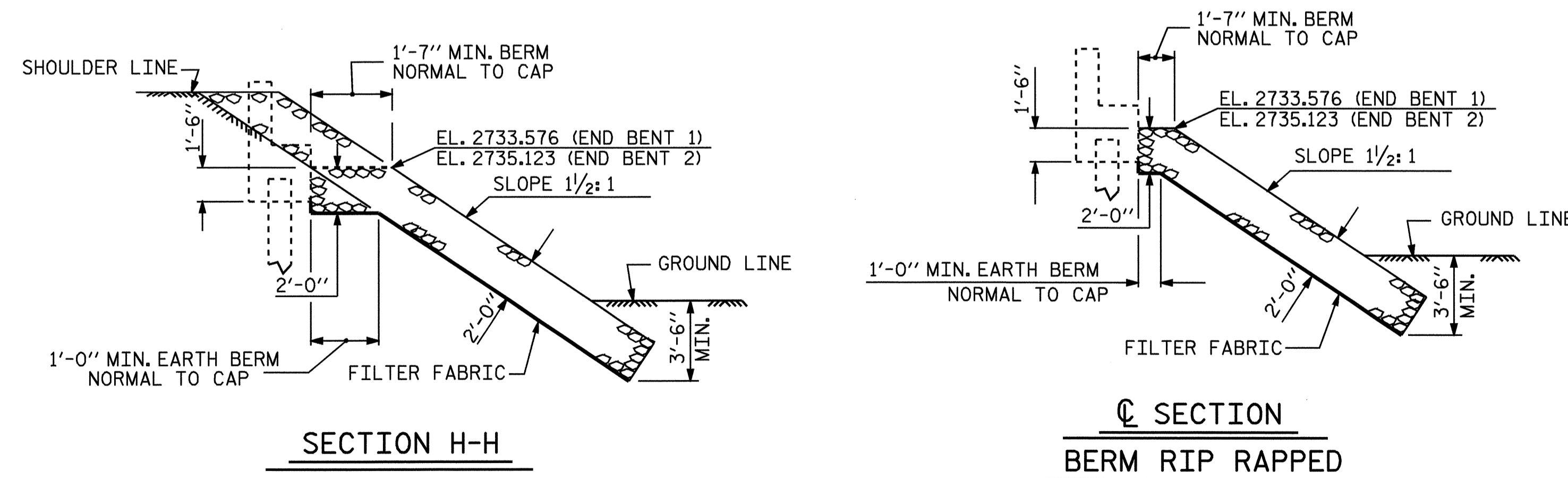
NOTES :  
FOR BERM WIDTH DIMENSIONS, SEE GENERAL DRAWING.



PLAN

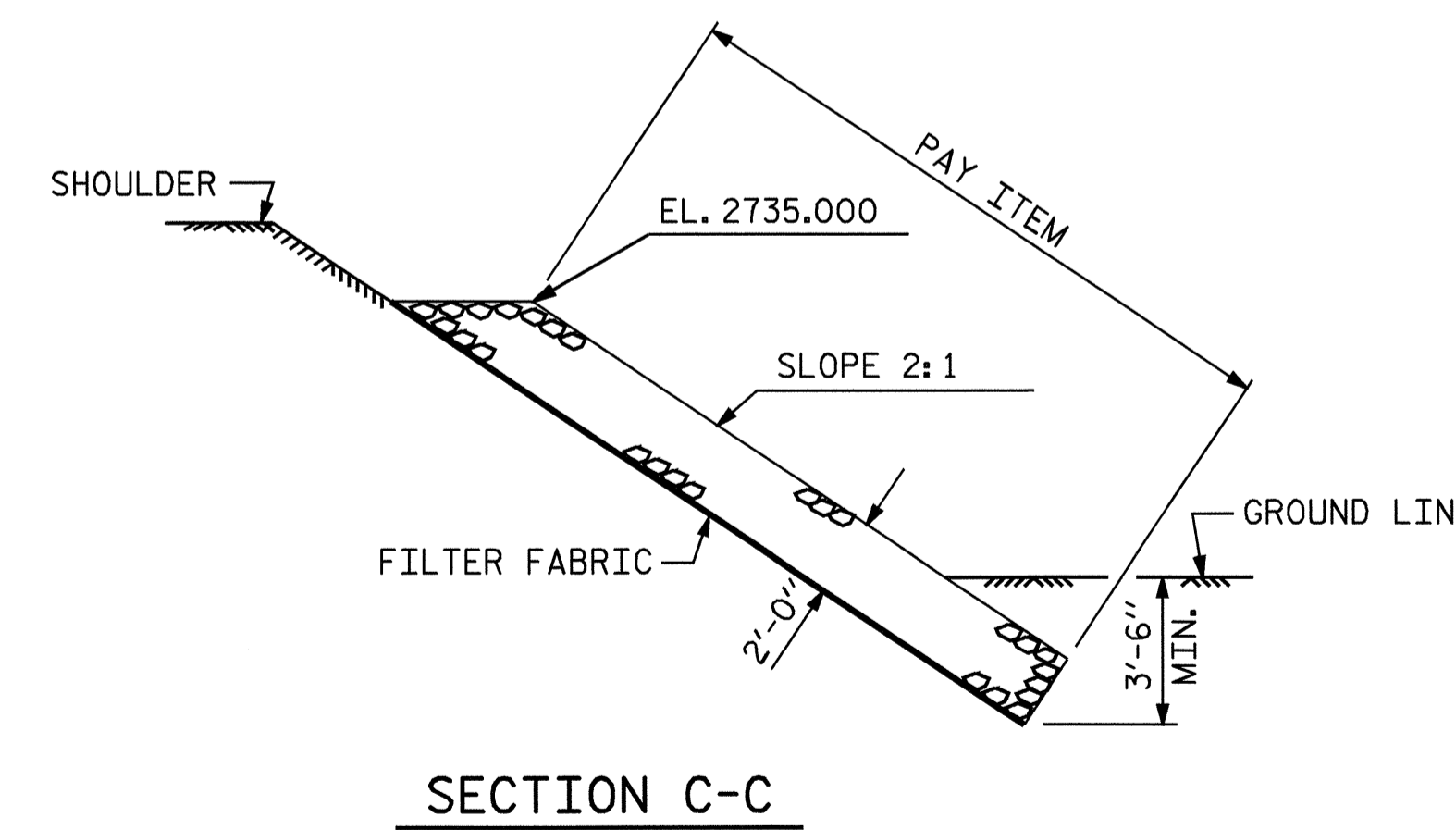
ESTIMATED QUANTITIES

BRIDGE @ STA. 15+60.00 -L-	PLAIN RIP RAP CLASS II	FILTER FABRIC FOR DRAINAGE
	TONS	SQUARE YARDS
END BENT 1	125	139
END BENT 2	169	187



SECTION H-H

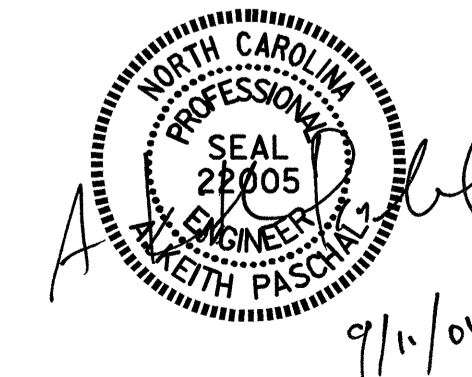
SECTION C-C  
BERM RIP RAPPED



SECTION C-C

PROJECT NO. B-3667  
JACKSON COUNTY  
STATION: 15+60.00 -L-

STATE OF NORTH CAROLINA  
DEPARTMENT OF TRANSPORTATION  
RALEIGH  
STANDARD  
— RIP RAP DETAILS —



ASSEMBLED BY : K. McCAULEY	DATE : 8/10/04
CHECKED BY : A. L. MEADOWS	DATE : 8/13/04
DRAWN BY : REK 1/84	REV. 7/17/98
CHECKED BY : RDU 1/84	REV. 8/16/99
	REV. 10/17/00

09-SEP-2004 15:36  
W:\squadp\b3667\str2\kmccauley\Mcorostatlon\B3667\_sd.RR\_02.dgn  
kmccauley

REVISIONS						SHEET NO.
NO.	BY:	DATE:	NO.	BY:	DATE:	S-34
1			3			TOTAL SHEETS
2			4			37

STD. NO. RR1

STR. #2