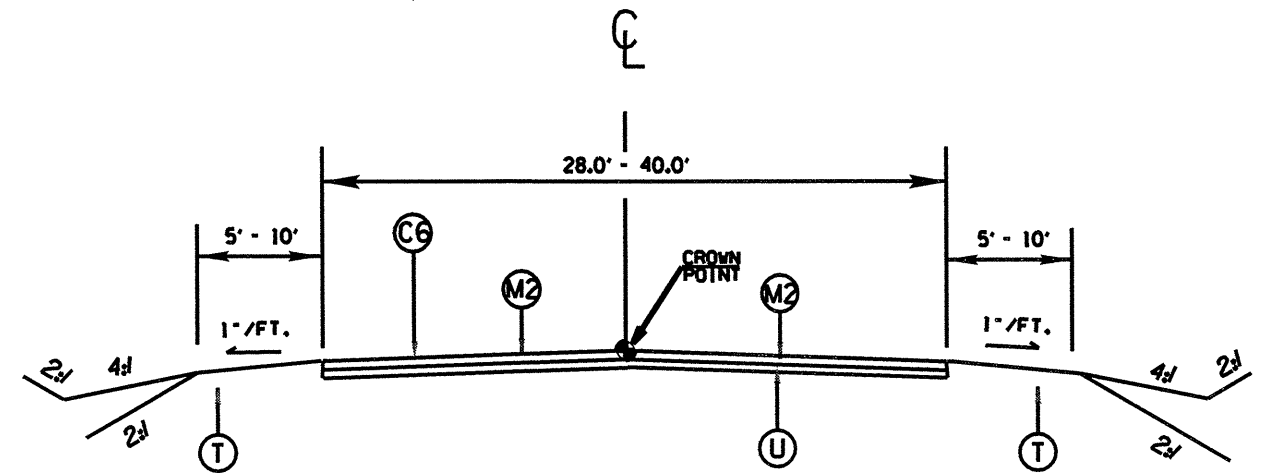
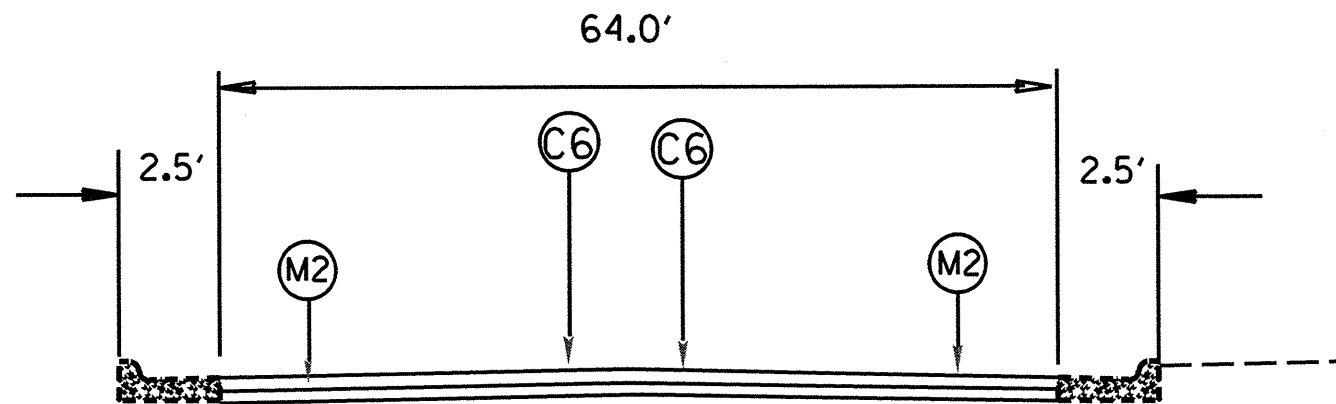


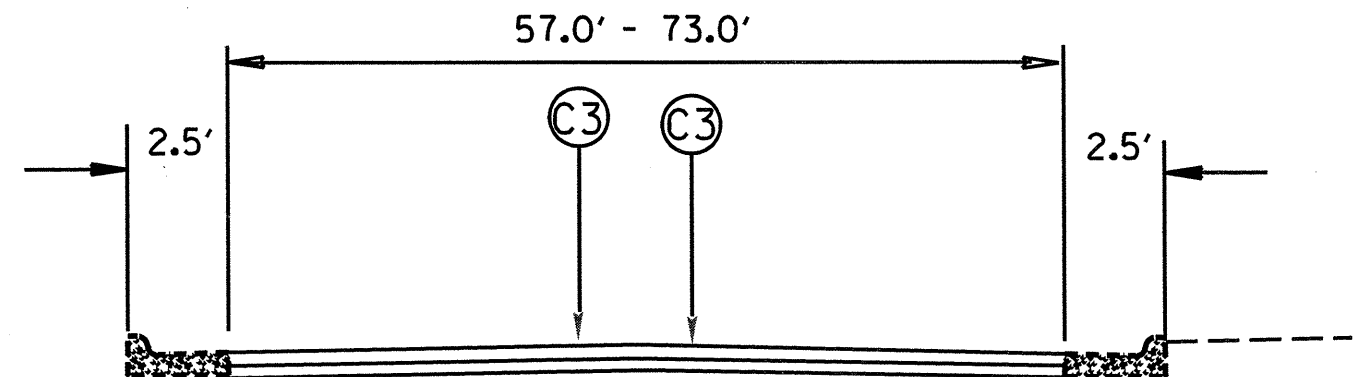
TYPICAL SECTION NO. 15



TYPICAL SECTION NO. 17



TYPICAL SECTION NO. 16



TYPICAL SECTION NO. 18

USE ON SR 2311
 EXISTING CURB & GUTTER SECTION
 MILLING AT AN AVERAGE DEPTH OF 1.5 INCHES