

+0.2739% Δ -0.3000%

GRADE DATA

PI STA. = 13+25.000 -L-
EL. = 89.120
VC = 100'

FILL FACE @ END BENT #1
STA. 13+75.00 -L-
GRADE POINT EL. = 88.970

BEGIN FRONT SLOPE
STA. 13+70.15-L-
GRADE POINT EL. = 88.984

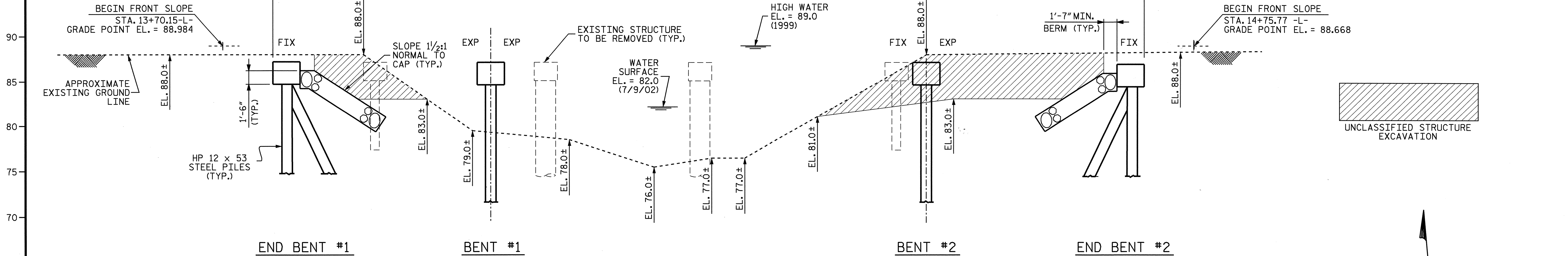
SPAN A

SPAN B

SPAN C

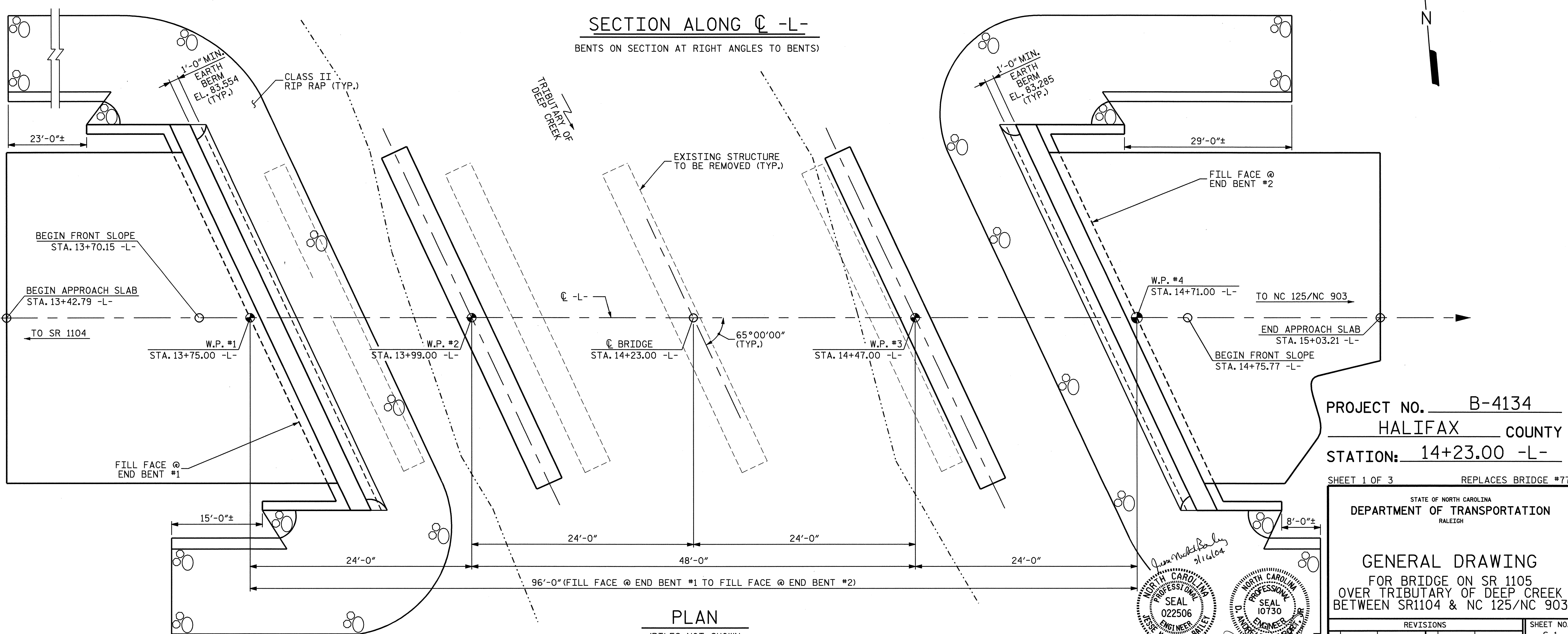
FILL FACE @ END BENT #2
STA. 14+71.00 -L-
GRADE POINT EL. = 88.682

BEGIN FRONT SLOPE
STA. 14+75.77 -L-
GRADE POINT EL. = 88.668



SECTION ALONG C-L-

BENTS ON SECTION AT RIGHT ANGLES TO BENTS



PROJECT NO. B-4134
HALIFAX COUNTY
STATION: 14+23.00 -L-

SHEET 1 OF 3 REPLACES BRIDGE #77

STATE OF NORTH CAROLINA
DEPARTMENT OF TRANSPORTATION
RALEIGH

GENERAL DRAWING
FOR BRIDGE ON SR 1105
OVER TRIBUTARY OF DEEP CREEK
BETWEEN SR1104 & NC 125/NC 903

REVISIONS						SHEET NO.
NO.	BY:	DATE:	NO.	BY:	DATE:	S-1
1			3			TOTAL SHEETS
2			4			23

DRAWN BY : H. T. BARBOUR DATE : 1-27-04
CHECKED BY : D. A. DAVENPORT DATE : 5-04

