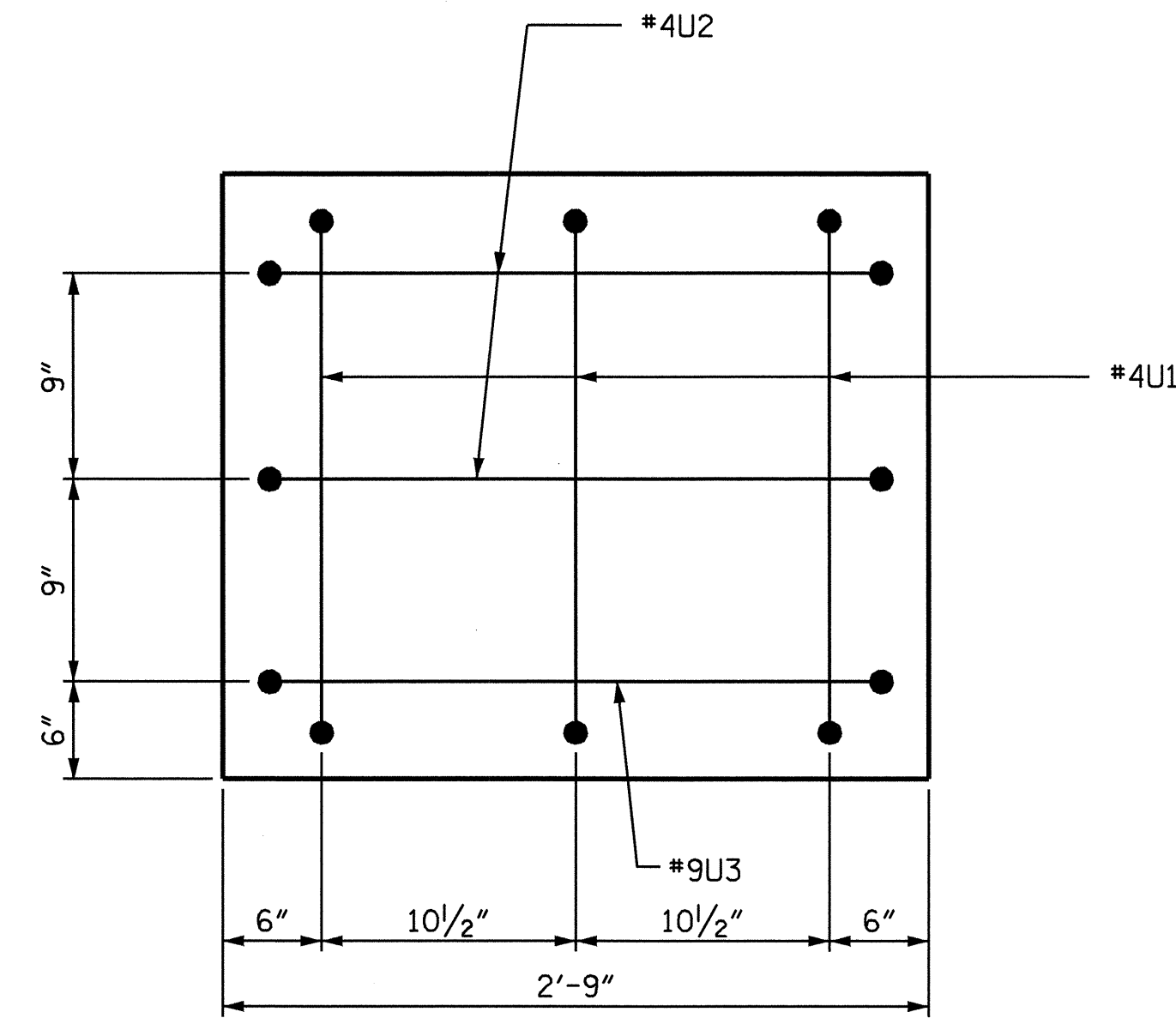


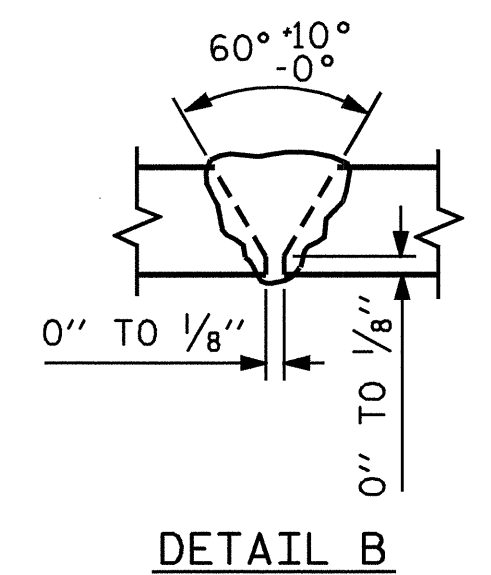
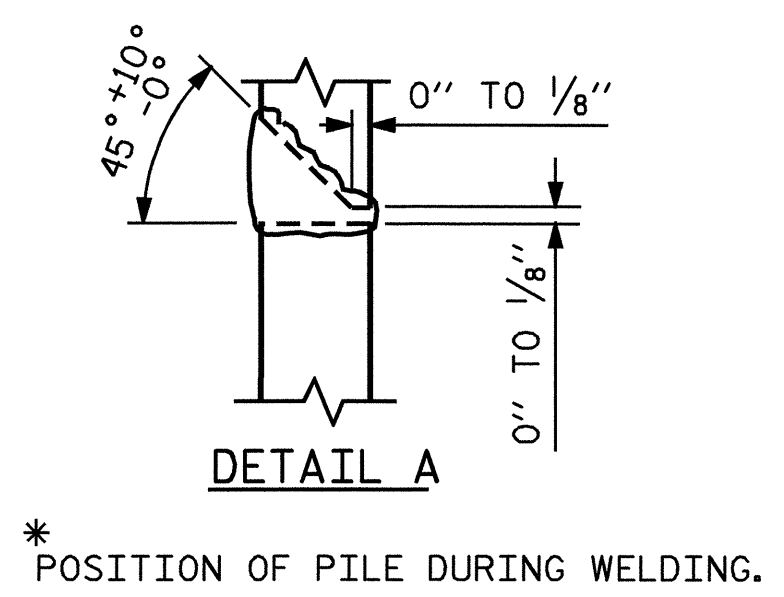
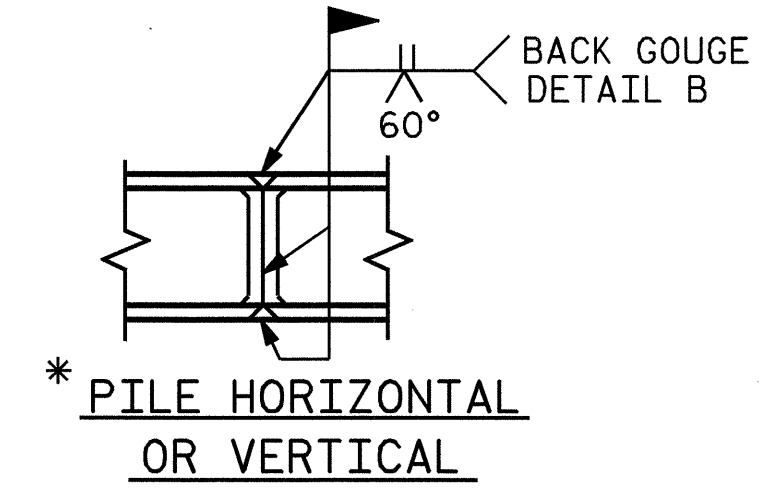
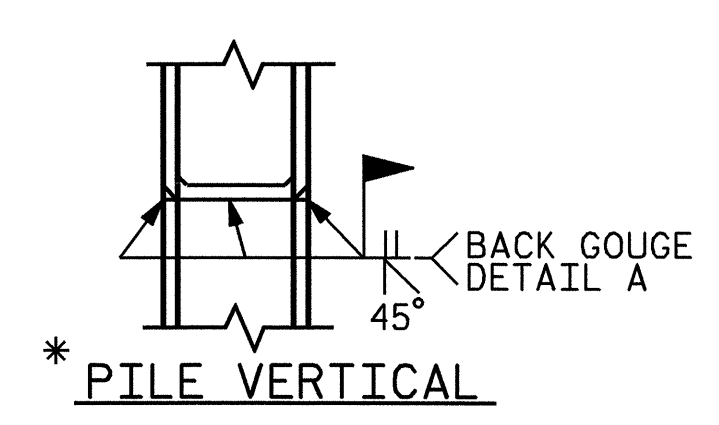
SECTION A-A



END VIEW

BAR TYPES					BILL OF MATERIAL						
BAR	NO.	SIZE	TYPE	LENGTH	WEIGHT	BAR	NO.	SIZE	TYPE	LENGTH	WEIGHT
B1	8	#9	1	45'-6"	1238	B1	8	#9	1	45'-6"	1238
B2	2	#5	STR	43'-2"	90	B2	2	#5	STR	43'-2"	90
B3	8	#4	STR	22'-10"	122	B3	8	#4	STR	22'-10"	122
B4	14	#4	STR	2'-5"	23	B4	14	#4	STR	2'-5"	23
D1	48	#6	STR	1'-6"	108	D1	48	#6	STR	1'-6"	108
S1	46	#4	2	3'-2"	97	S1	46	#4	2	3'-2"	97
S2	46	#4	3	7'-5"	228	S2	46	#4	3	7'-5"	228
S3	16	#4	4	6'-6"	69	S3	16	#4	4	6'-6"	69
U1	6	#4	5	5'-0"	20	U1	6	#4	5	5'-0"	20
U2	4	#4	5	5'-3"	14	U2	4	#4	5	5'-3"	14
U3	2	#9	5	9'-7"	65	U3	2	#9	5	9'-7"	65
U4	2	#4	5	4'-7"	6	U4	2	#4	5	4'-7"	6
U5	2	#4	5	4'-3"	6	U5	2	#4	5	4'-3"	6
U6	2	#4	5	3'-11"	5	U6	2	#4	5	3'-11"	5
U7	2	#4	5	3'-7"	5	U7	2	#4	5	3'-7"	5
REINFORCING STEEL = 2096 LBS											
CLASS A CONCRETE											
POUR #1 CAP											
										CU. YDS.	11.2
POUR #2 LATERAL GUIDE											
										CU. YDS.	0.2
TOTAL										CU. YDS.	11.4
HP 12 X 53 STEEL PILES											
NO. 8										LIN. FT.	520

ALL BAR DIMENSIONS ARE OUT TO OUT.



PILE SPLICE DETAILS

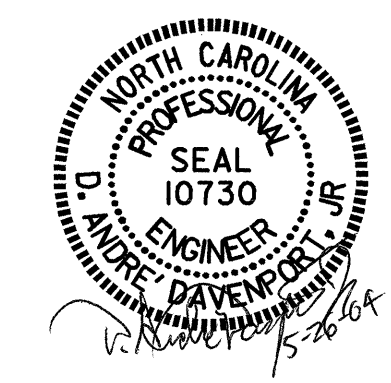
PROJECT NO. B-4134
HALIFAX COUNTY
 STATION: 14+23.00 -L-

SHEET 2 OF 2

STATE OF NORTH CAROLINA
 DEPARTMENT OF TRANSPORTATION
 RALEIGH

SUBSTRUCTURE BENT #1

REVISIONS						SHEET NO.
NO.	BY:	DATE:	NO.	BY:	DATE:	S-13
1			3			TOTAL SHEETS
2			4			23



DRAWN BY : M. G. SHAIKH DATE : 4-16-04
 CHECKED BY : G. M. PATTERSON DATE : 4-22-04