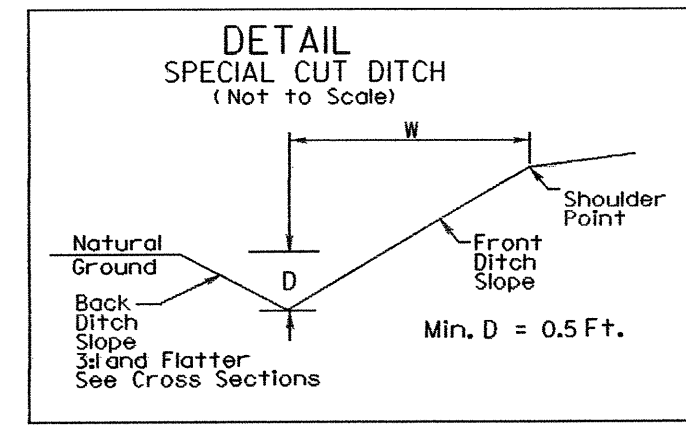
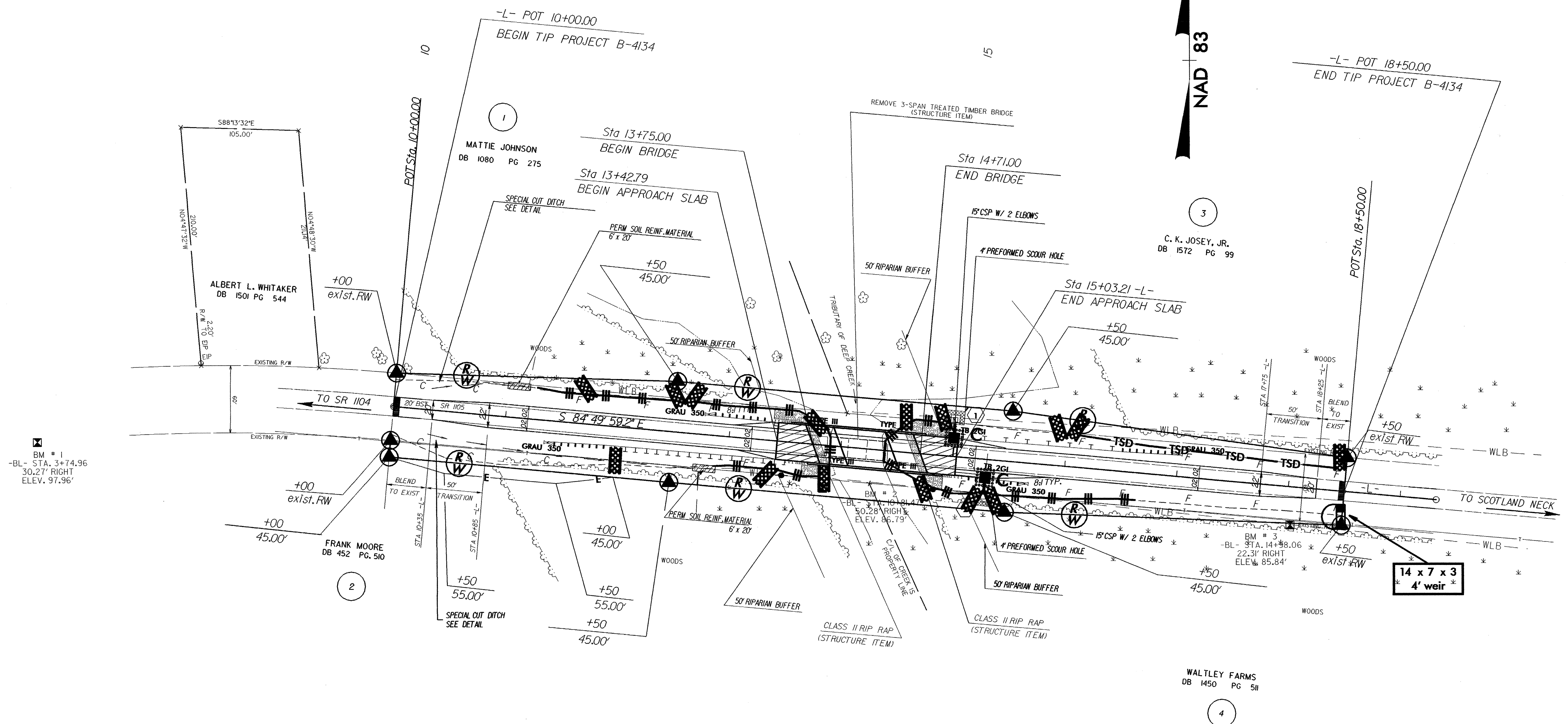
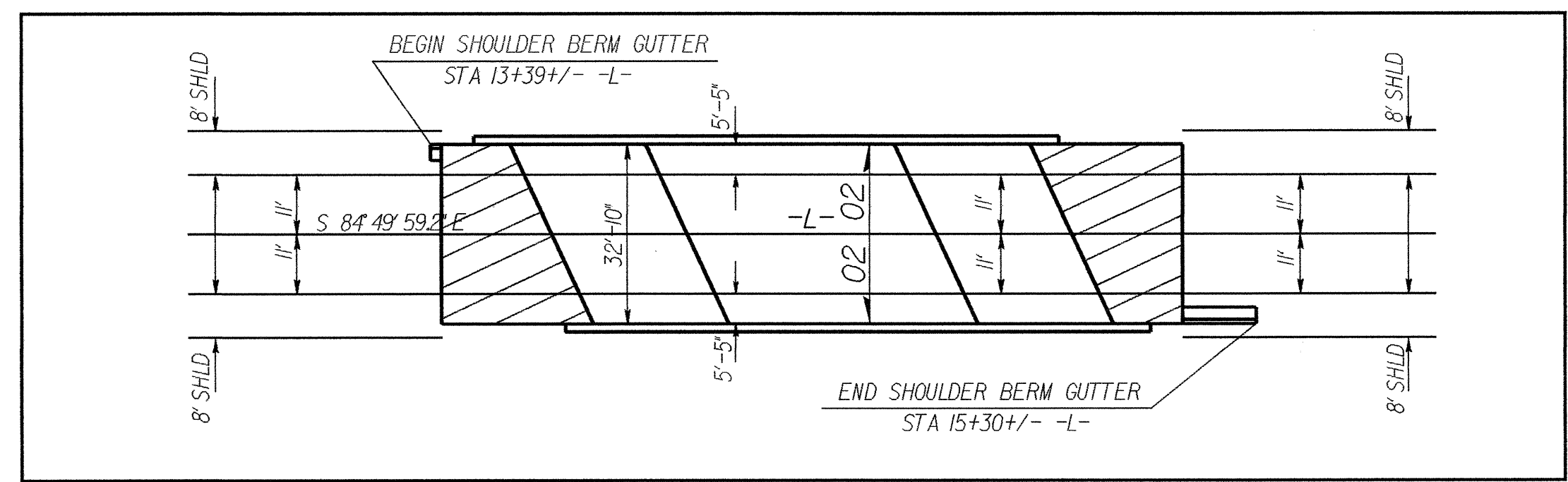


PROJECT REFERENCE NO.		SHEET NO.	
B-4134		EC-4/CONST.4	
RW SHEET NO.			
ROADWAY DESIGN ENGINEER		HYDRAULICS ENGINEER	



FROM -L- STA 10+35 LT to -L- STA 11+00 LT
Front Slope: 4d to 6d
W = 12'

FROM -L- STA 10+35 RT to -L- STA 12+70 RT
Front Slope: 4d to 6d
W = 12'



BM # 1
-BL- STA. 3+74.96
30.27' RIGHT
ELEV. 97.96'

NOTE:
TEMPORARY SILT FENCE SHALL BE INSTALLED A MINIMUM
OF 3 FEET FROM TOE OF FILL IN WETLAND AREAS

NOTE:
UTILIZE TEMPORARY ROCK SILT CHECK TYPE - A
AS STILLING BASIN WHERE APPLICABLE.