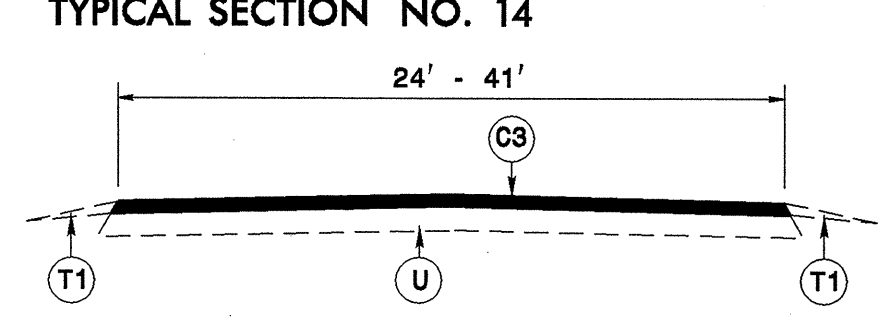
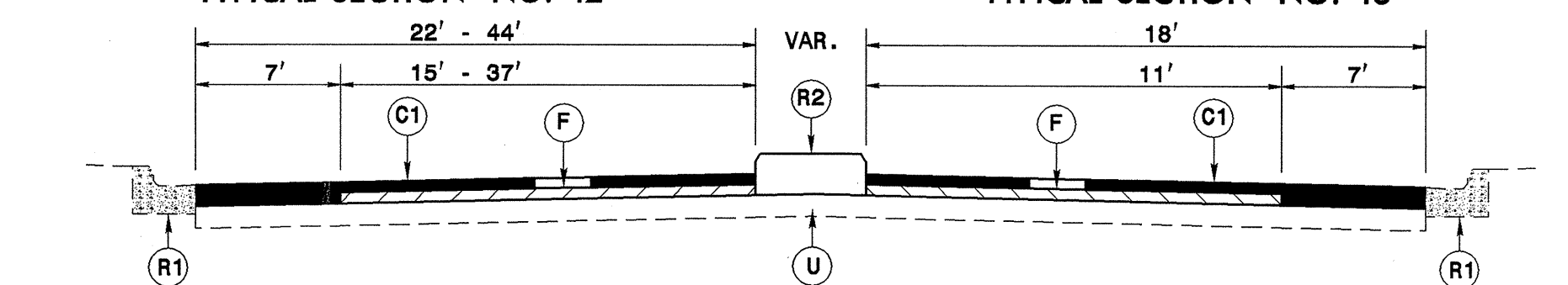
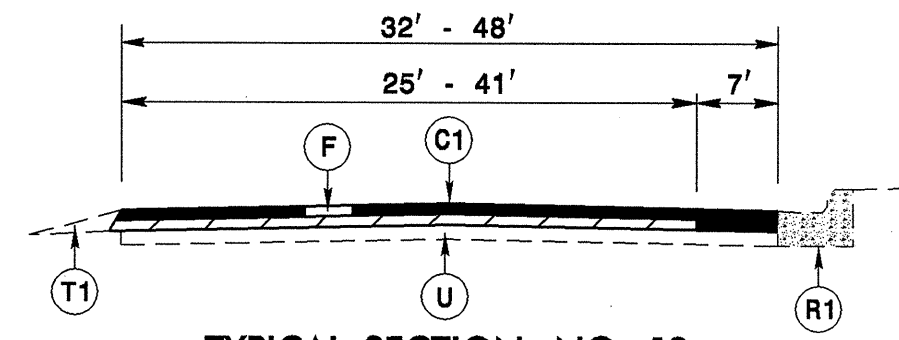
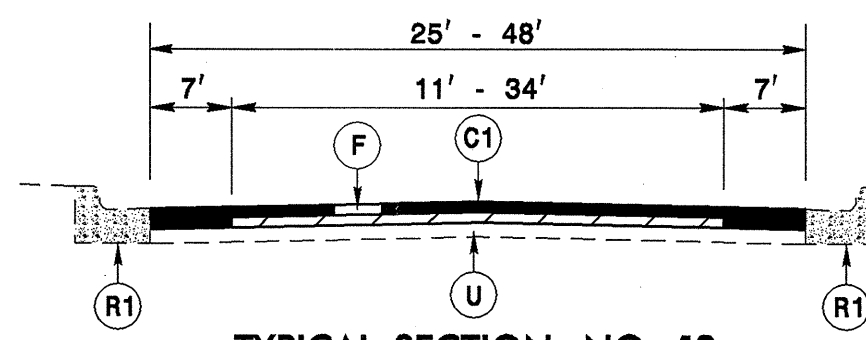
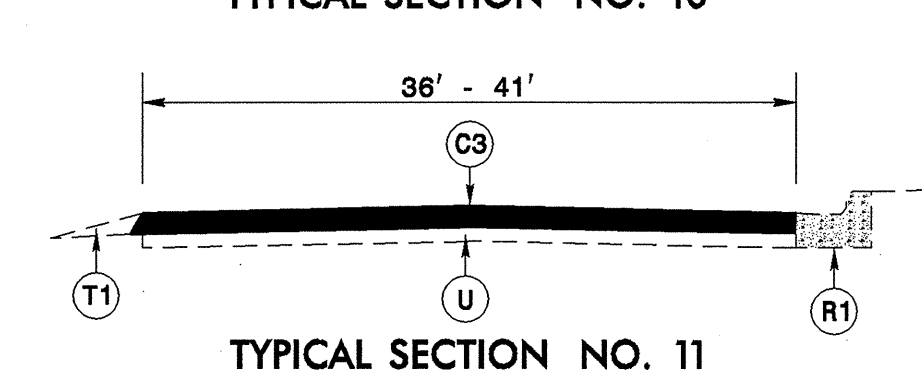
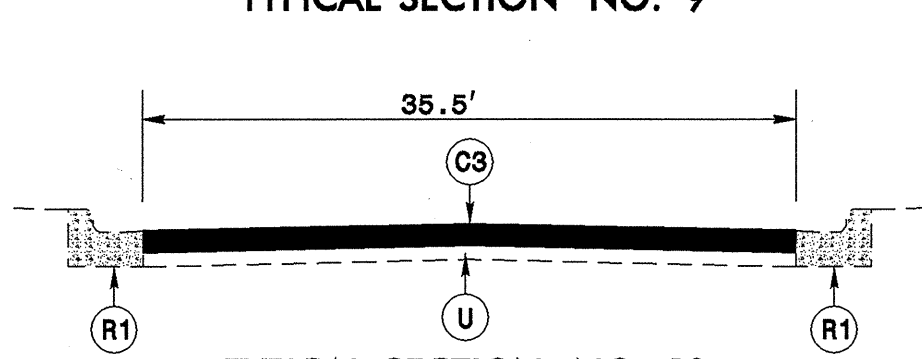
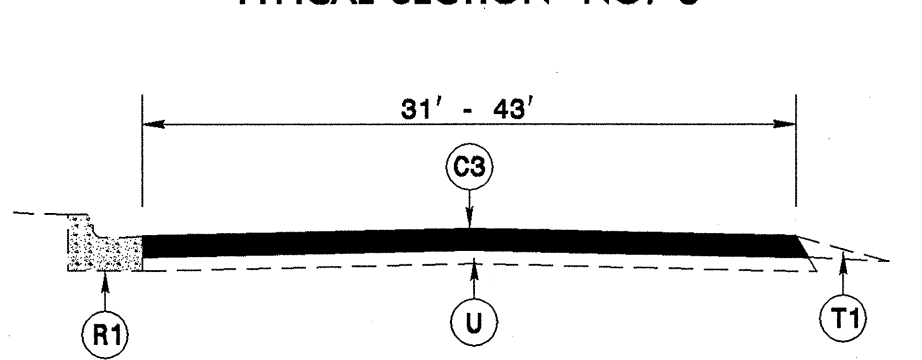
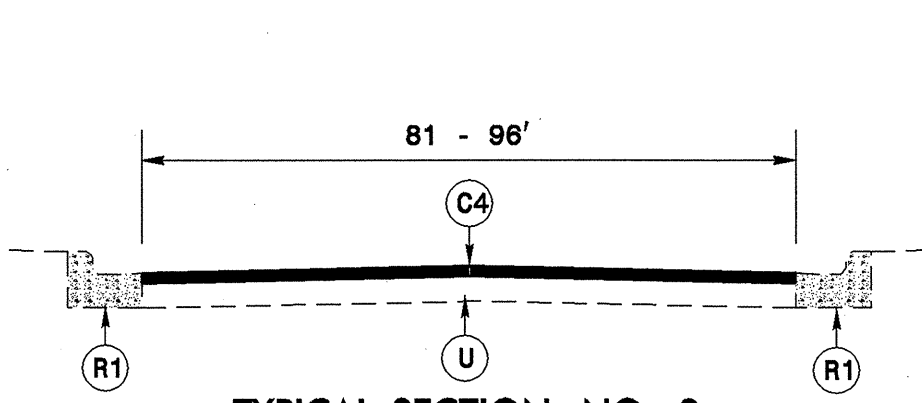
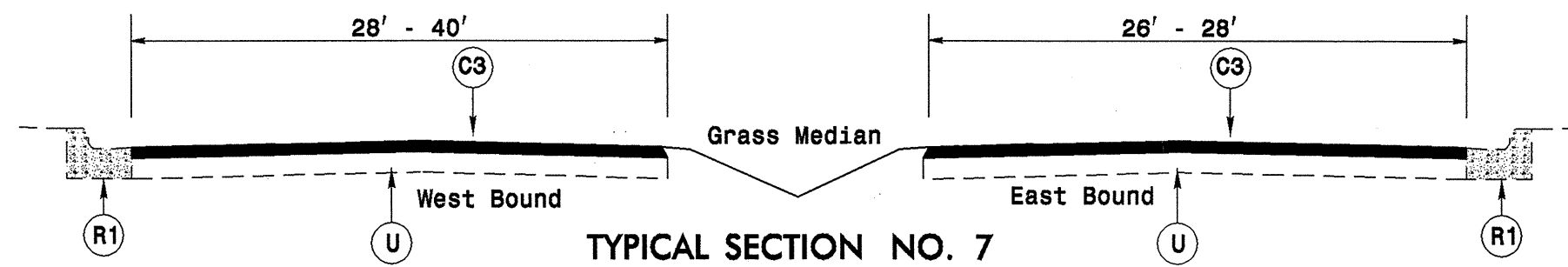


STATE	PROJECT NO.	SHEET NO.	TOTAL SHEETS
N.C.	7CR.10411.7, ETC.	8	11



PAVEMENT SCHEDULE			
C1	PROP. APPROX. 1 1/4" ASPHALT CONCRETE SURFACE COURSE, TYPE S9.5B, AT AN AVERAGE RATE OF 140 LBS. PER SQ. YD.	E1	PROP. APPROX. 8" ASPHALT CONCRETE BASE COURSE, TYPE B25.0B AT AN AVERAGE RATE OF 456 LBS. PER SQ YD. IN EACH OF TWO LAYERS
C2	PROP. APPROX. 1" ASPHALT CONCRETE SURFACE COURSE, TYPE S9.5A, AT AN AVERAGE RATE OF 110 LBS. PER SQ. YD.	E2	PROP. APPROX. 8" ASPHALT CONCRETE BASE COURSE, TYPE B25.0C AT AN AVERAGE RATE OF 456 LBS. PER SQ YD. IN EACH OF TWO LAYERS
C3	PROP. APPROX. 1 1/2" ASPHALT CONCRETE SURFACE COURSE, TYPE S9.5B, AT AN AVERAGE RATE OF 168 LBS. PER SQ. YD.	F	ASPHALT SURFACE TREATMENT, NO. 78M STONE, MAT COAT
C4	PROP. APPROX. 1 1/2" ASPHALT CONCRETE SURFACE COURSE, TYPE S9.5C, AT AN AVERAGE RATE OF 168 LBS. PER SQ. YD.	R1	EXISTING 2-6 CURB AND GUTTER
D1	PROP. APPROX. 3" ASPHALT CONCRETE INTERMEDIATE COURSE, TYPE I19.0B, AT AN AVERAGE RATE OF 342 LBS. PER SQ. YD.	R2	MONOLITHIC CONCRETE ISLAND
D2	PROP. APPROX. 3" ASPHALT CONCRETE INTERMEDIATE COURSE, TYPE I19.0C, AT AN AVERAGE RATE OF 342 LBS. PER SQ. YD.	T1	EARTH MATERIAL.
		T2	SHOULDER RECONSTRUCTION
		U	EXISTING PAVEMENT.

05-OCT-2004 15:07
V:\shuller\1006855\Temp\Typicals-Culford_2005.dgn