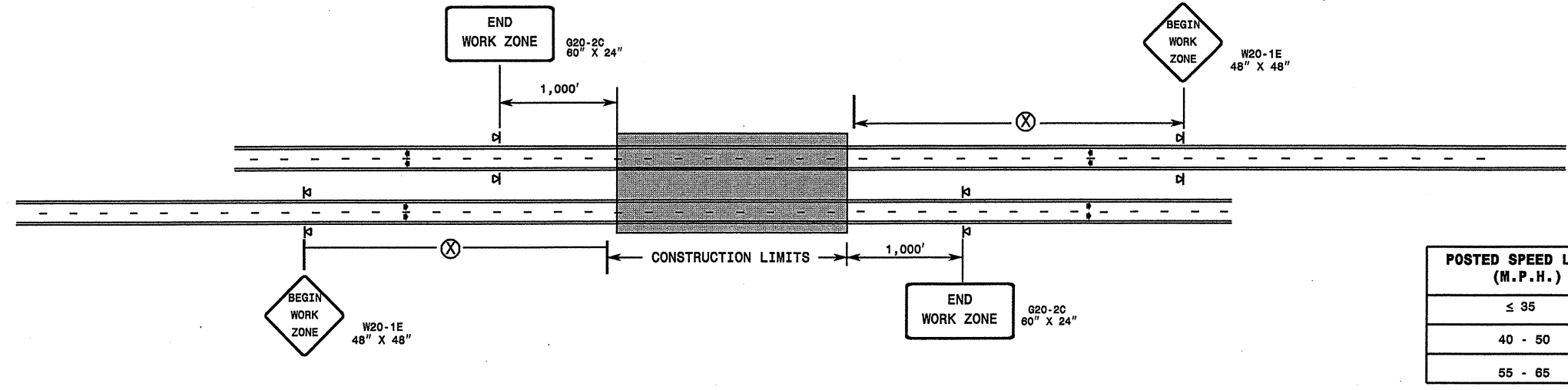


WBS Elements: 7CR.10411.7, 7CR.20411.7,
7CR.304108.7 & 7CR.304110.7

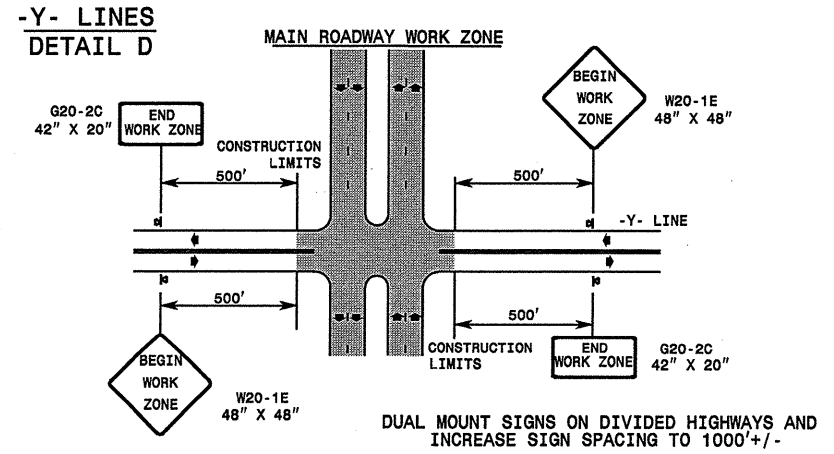
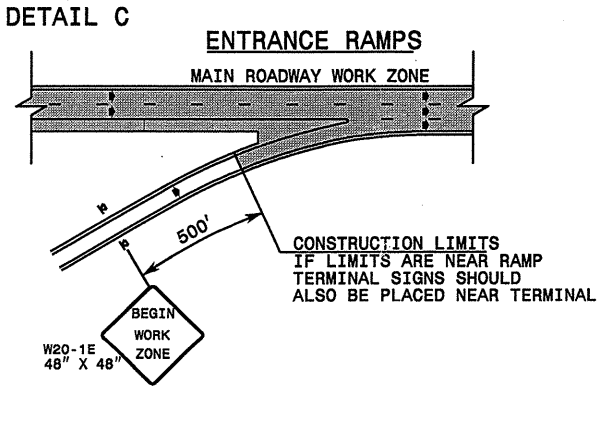
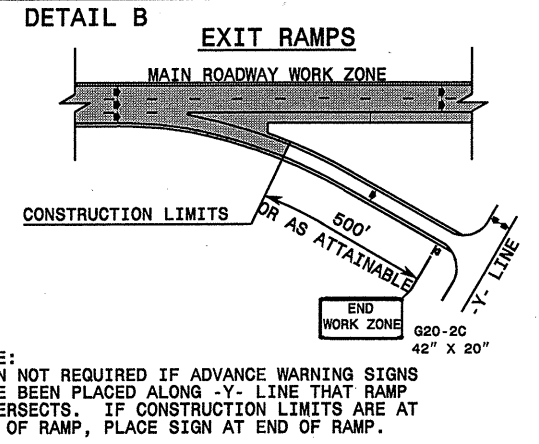
PROJ. REFERENCE NO. See to the Left	SHEET NO. TCP-3
--	--------------------

DETAIL A



STATE OF NORTH CAROLINA
DEPT. OF TRANSPORTATION
DIVISION OF HIGHWAYS
RALEIGH, N.C.

ROADWAYS INTERSECTING ALONG HIGHWAY WORK ZONE



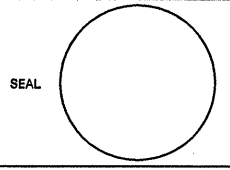
DETAIL DRAWING FOR
INTERSTATE AND FREEWAY
WORK ZONE SIGNS
(SHORT-DURATION LANE CLOSURES)

GENERAL NOTES

- DO NOT INSTALL ADVANCE WARNING SIGNS MORE THAN 3 DAYS PRIOR TO BEGINNING OF WORK.
- ALL SIGN SPACING DIMENSIONS ARE APPROXIMATE, FIELD ADJUST AS NECESSARY OR AS DIRECTED.
- WHEN THERE ARE CONSTRUCTION LIMITS ON A DIVIDED -Y- LINE GREATER THAN 1 MILE IN LENGTH, USE THE SAME SIGNING AS FOR A MAIN ROADWAY WORK ZONE. (SEE DETAIL A)
- USE PORTABLE SIGNS.

LEGEND

⊗	PORTABLE SIGN
➔	DIRECTION OF TRAFFIC FLOW

APPROVED: _____	DATE: _____	DETAIL DRAWING FOR INTERSTATE AND FREEWAY WORK ZONE SIGNS				
						
SCALE: NONE	DATE: 09-08-2001	<table border="1"> <tr> <th>REVISIONS</th> </tr> <tr> <td> </td> </tr> <tr> <td> </td> </tr> <tr> <td> </td> </tr> </table>	REVISIONS			
REVISIONS						
DWG. BY: MMM	DESIGN BY: MMM					
REVIEWED BY: _____						