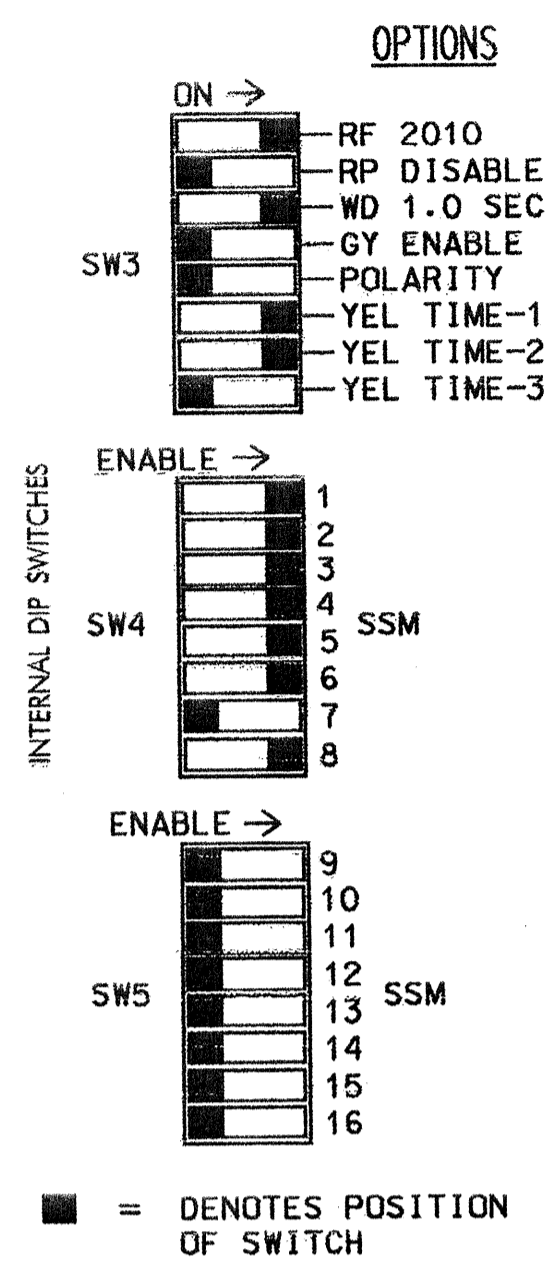
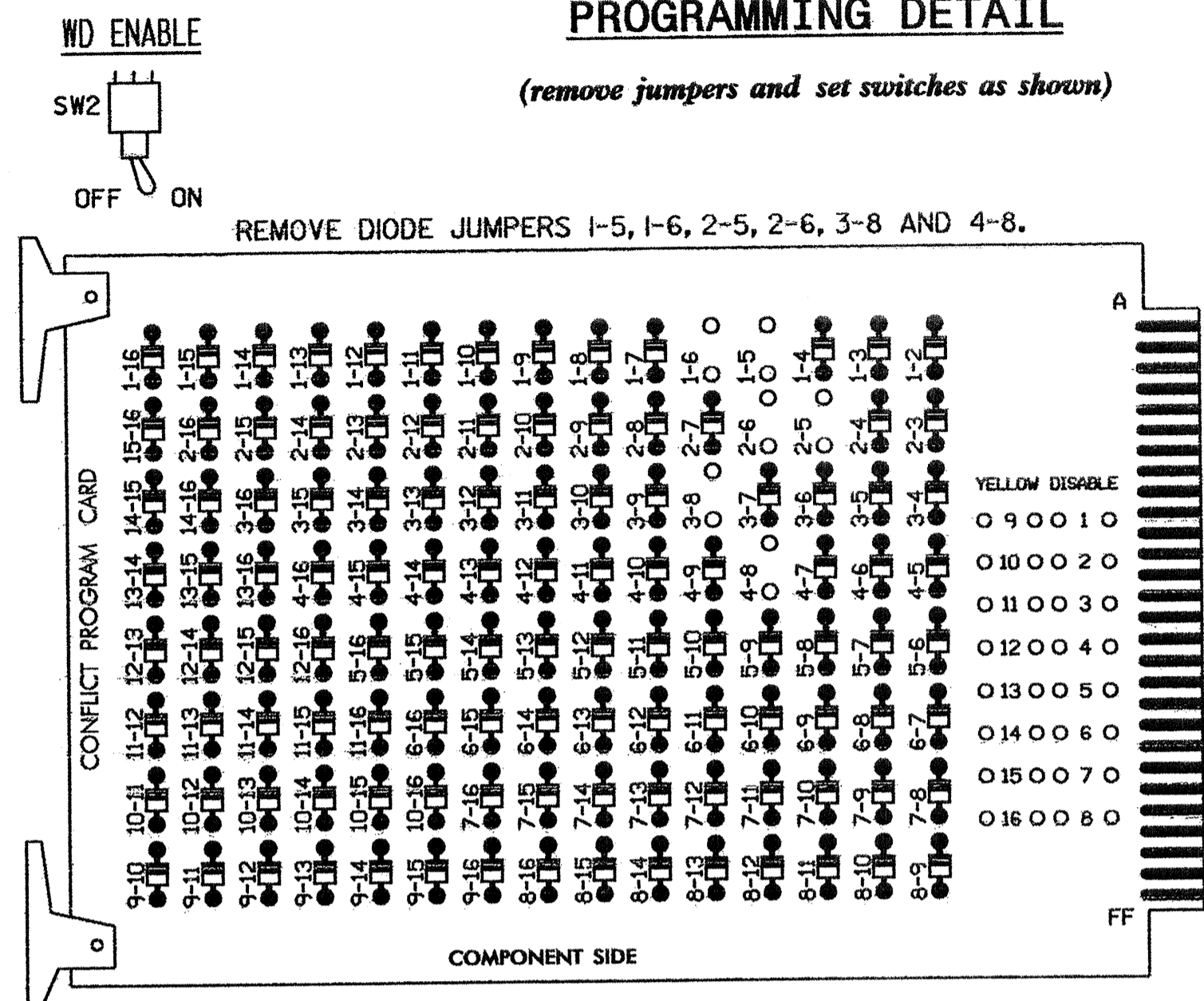


### EDI MODEL 2010ECL CONFLICT MONITOR

#### PROGRAMMING DETAIL

(remove jumpers and set switches as shown)



NOTES:

- CARD IS PROVIDED WITH ALL DIODE JUMPERS IN PLACE. REMOVAL OF ANY JUMPER ALLOWS ITS CHANNELS TO RUN CONCURRENTLY.
- MAKE SURE JUMPERS SEL1-SEL5 ARE PRESENT ON THE MONITOR BOARD.

#### NOTES

- TO PREVENT "FLASH-CONFLICT" PROBLEMS, INSERT RED FLASH PROGRAM BLOCKS FOR ALL UNUSED VEHICLE LOAD SWITCHES IN THE OUTPUT FILE. THE INSTALLER SHALL VERIFY THAT SIGNAL HEADS FLASH IN ACCORDANCE WITH THE SIGNAL PLANS.
- ENSURE THAT RED ENABLE IS ACTIVE AT ALL TIMES DURING NORMAL OPERATION. TO PREVENT RED FAILURES ON UNUSED MONITOR CHANNELS, TIE UNUSED RED MONITOR INPUTS 7,9,10, 11,12,13,14,15 & 16 TO LOAD SWITCH AC+ PER THE CABINET MANUFACTURER'S INSTRUCTIONS.
- PROGRAM CONTROLLER TO START UP IN PHASES 2 AND 6 GREEN.
- ENABLE SIMULTANEOUS GAP-OUT FEATURE, ON CONTROLLER UNIT, FOR ALL PHASES.
- PROGRAM PHASE 8, ON CONTROLLER UNIT, FOR DUAL ENTRY.

#### EQUIPMENT INFORMATION

CONTROLLER.....CONTRACTOR SUPPLIED 2070L  
 CABINET .....CONTRACTOR SUPPLIED 332  
 SOFTWARE .....ECONOLITE OASIS  
 CABINET MOUNT.....BASE  
 OUTPUT FILE POSITIONS...12  
 LOAD SWITCHES USED.....S1,S2,S3,S4,S5,S6,S8  
 PHASES USED.....1,2,3,4,5,6,8  
 OVERLAPS.....NONE

#### FIELD CONNECTION HOOK-UP CHART

LOAD SWITCH NO.	S1	S2	S2P	S3	S4	S4P	S5	S6	S6P	S7	S8	S8P
PHASE	1	2	2 PED	3	4	4 PED	5	6	6 PED	7	8	8 PED
SIGNAL HEAD NO.	61,82	21,22	NU	31	41,42	NU	21	61,62	NU	NU	81,82	NU
GREEN		130			103			136			109	
YELLOW		129			102			135			108	
RED	*	128			101		*	134			107	
RED ARROW					116							
YELLOW ARROW	126				117			132				
GREEN ARROW	127				118			133				
PEDESTRIAN												
BIKE												

NU = NOT USED  
 \* DENOTES INSTALL LOAD RESISTOR. SEE LOAD RESISTOR INSTALLATION DETAIL THIS PAGE.

#### BACK-UP PROTECTION PROGRAMMING DETAIL

(program controller as shown below)

- FROM MAIN MENU PRESS '2' (PHASE CONTROL), THEN '1' (PHASE CONTROL FUNCTIONS). SCROLL TO THE BOTTOM OF THE MENU AND ENABLE DYNAMIC/BACKUP CONTROL FUNCTIONS 1,2 AND 3.
- FROM PHASE CONTROL FUNCTIONS MENU PRESS '2' (DYNAMIC/BACKUP CONTROL FUNCTIONS).

DYNAMIC/BACKUP CONTROL FUNCTION #01  
 OVERLAPS: ABCDEFGHIJKLMNP  
 IF OVERLAPS ARE ACTIVE :  
 OR PHASES: 12345678910111213141516  
 IF PHASES ARE ON: X  
 OMIT PHASES : X  
 CALL PHASES : X

PRESS 'NEXT'

DYNAMIC/BACKUP CONTROL FUNCTION #02  
 OVERLAPS: ABCDEFGHIJKLMNP  
 IF OVERLAPS ARE ACTIVE :  
 OR PHASES: 12345678910111213141516  
 IF PHASES ARE ON: X  
 OMIT PHASES : X  
 CALL PHASES : X

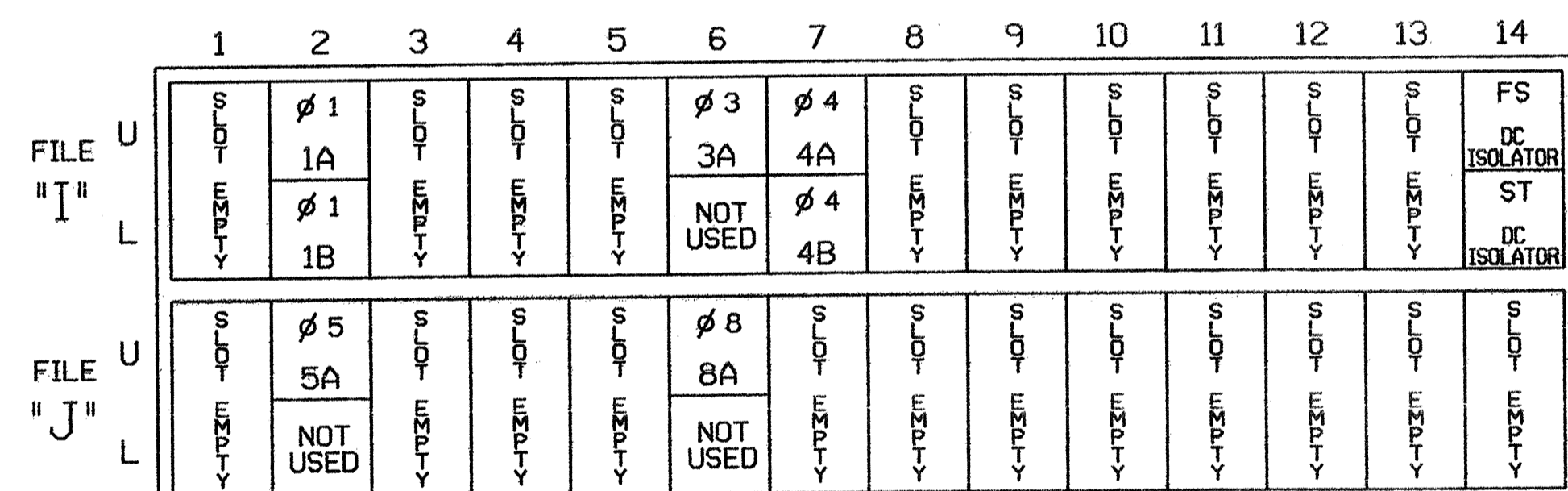
PRESS 'NEXT'

DYNAMIC/BACKUP CONTROL FUNCTION #03  
 OVERLAPS: ABCDEFGHIJKLMNP  
 IF OVERLAPS ARE ACTIVE :  
 OR PHASES: 12345678910111213141516  
 IF PHASES ARE ON: X  
 OMIT PHASES : X  
 CALL PHASES : X

BACKUP PROTECTION PROGRAMMING COMPLETE

#### INPUT FILE POSITION LAYOUT

(front view)



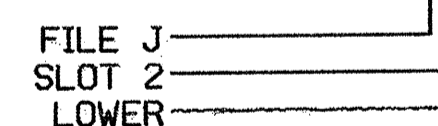
EX. : 1A, 2A, ETC. = LOOP NO.'S

FS = FLASH SENSE  
 ST = STOP TIME

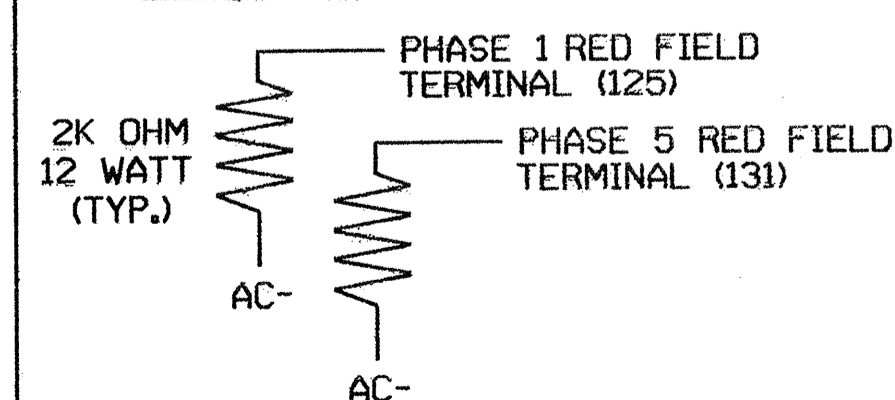
#### INPUT FILE CONNECTION & PROGRAMMING CHART

LOOP NO.	LOOP TERMINAL	INPUT FILE POS.	PIN NO.	INPUT ASSIGNMENT NO.	DETECTOR NO.	NEMA PHASE	CALL	EXTEND	FULL TIME DELAY	STRETCH TIME	DELAY TIME
1A	TB2-5,6	I2U	39	1	2	1	Y	Y			15
1B	TB2-7,8	I2L	43	5	12	1	Y	Y			15
3A	TB4-9,10	I6U	41	3	4	3	Y	Y			3
4A	TB6-1,2	I7U	65	27	34	4	Y	Y			5
4B	TB6-3,4	I7L	78	40	44	4	Y	Y			10
5A	TB3-5,6	J2U	40	2	6	5	Y	Y			15
8A	TB5-9,10	J6U	42	4	8	8	Y	Y			

INPUT FILE POSITION LEGEND: J2L



#### LOAD RESISTOR INSTALLATION DETAIL



NOTE: THE PURPOSE OF THESE RESISTORS IS TO LOAD THE CHANNEL RED MONITOR INPUTS IN ORDER FOR THE SIGNAL SEQUENCE MONITOR TO USE THE FULL SIGNAL SEQUENCE MONITORING CAPABILITY ON CHANNELS THAT DO NOT USE THE RED DISPLAY IN THE FIELD.

THIS ELECTRICAL DETAIL IS FOR THE SIGNAL DESIGN: 12-0636T2  
 DESIGNED: 10/30/03  
 SEALED: 08/09/04  
 REVISED:

#### SIGNAL UPGRADE - TEMPORARY DESIGN 2

ELECTRICAL AND PROGRAMMING DETAILS FOR: NC 274 (BESSEMER CITY ROAD) AT ARKRAY ST. & MYRTLE SCHOOL ROAD

Division 12 GASTON COUNTY GASTONIA

PLAN DATE: JULY 2004 REVIEWED BY: T. J. [Signature]

PREPARED BY: WILLIAM HAIRSTON REVIEWED BY: [Signature]

REVISIONS: [Table with columns for REVISIONS, INIT., DATE]

122 N. McDowell St., Raleigh, NC 27603

Seal of William C. Brown, Engineer, State of North Carolina, License No. 022013

INVENTORY NO. 12-0636T2