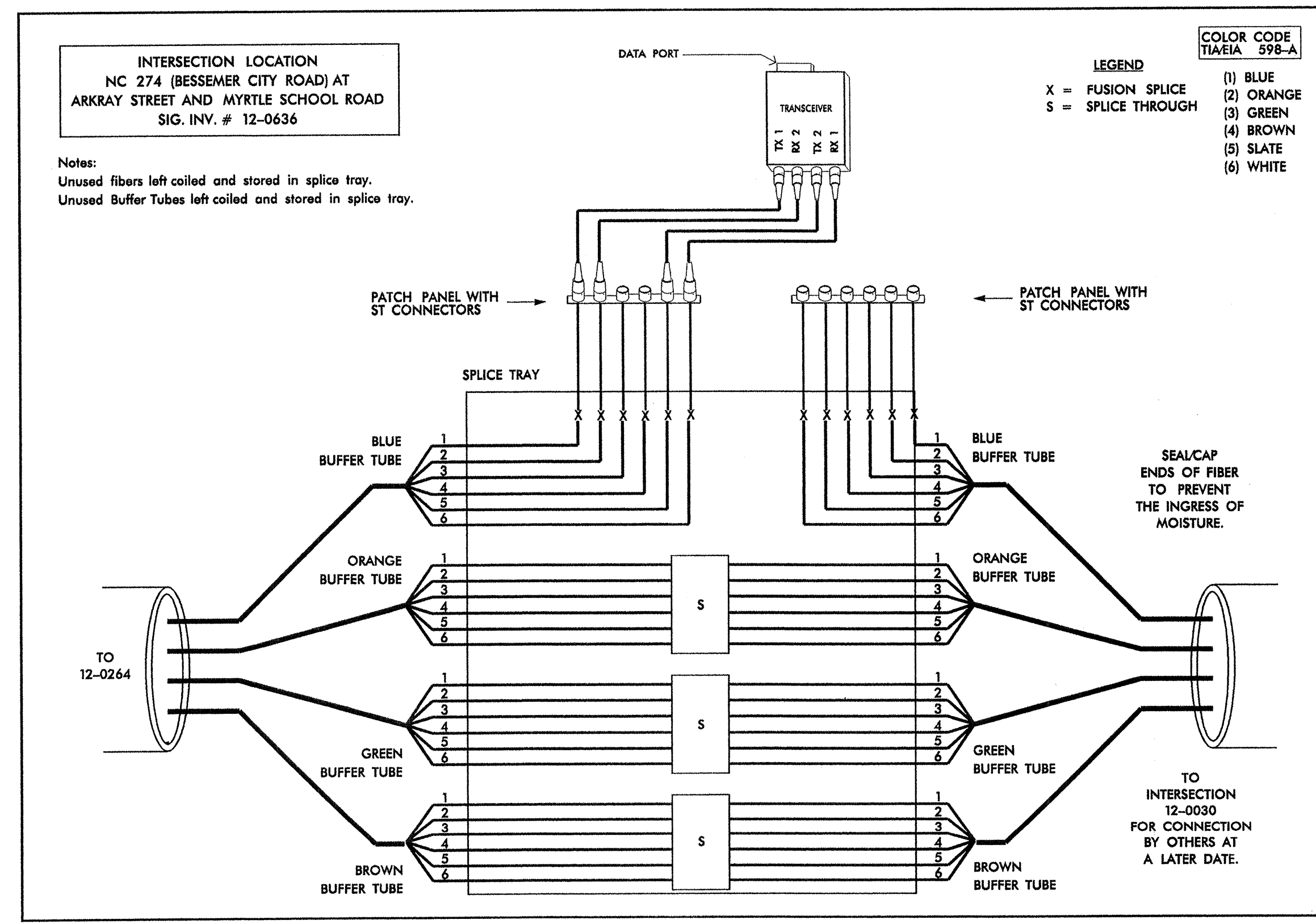
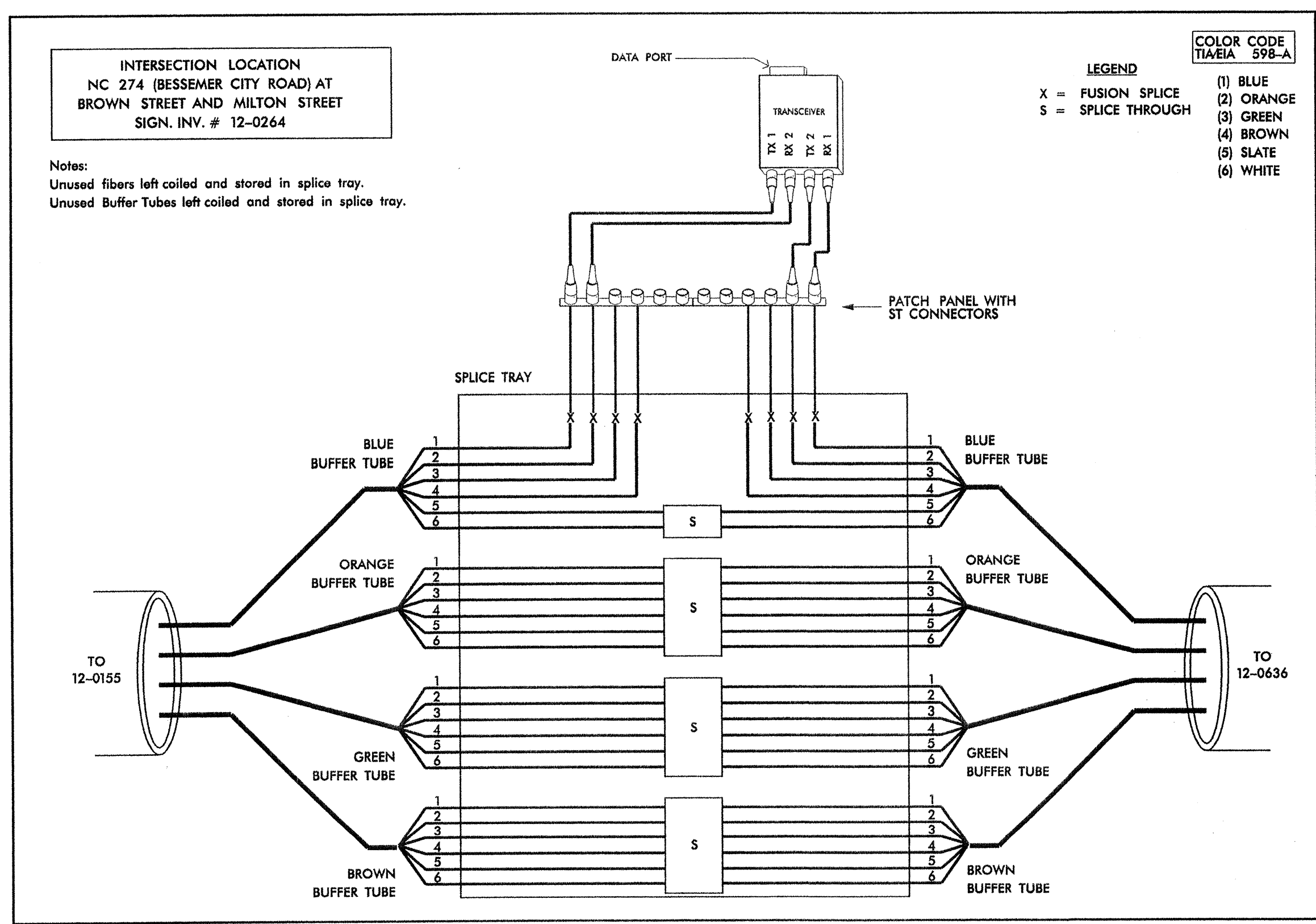
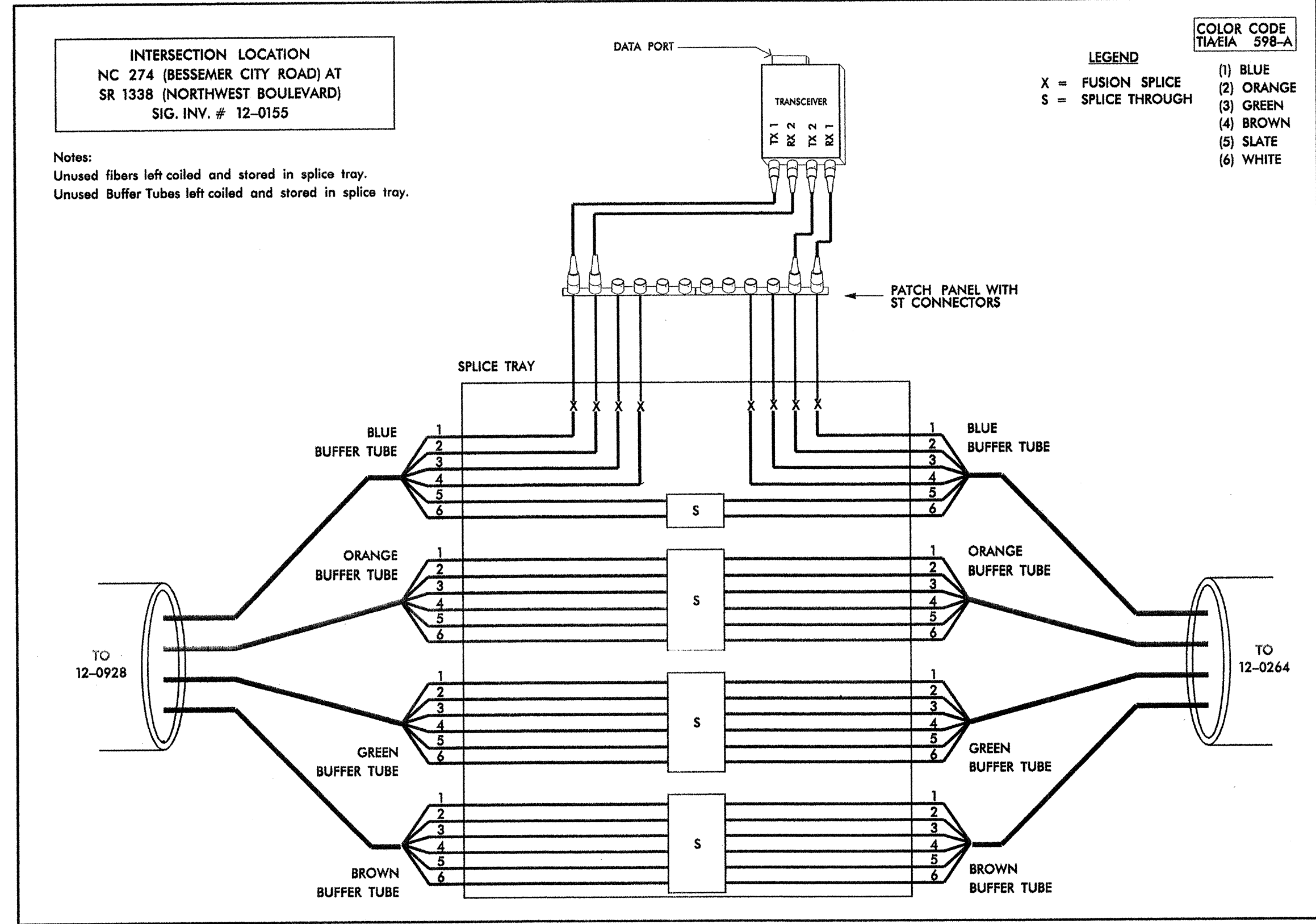
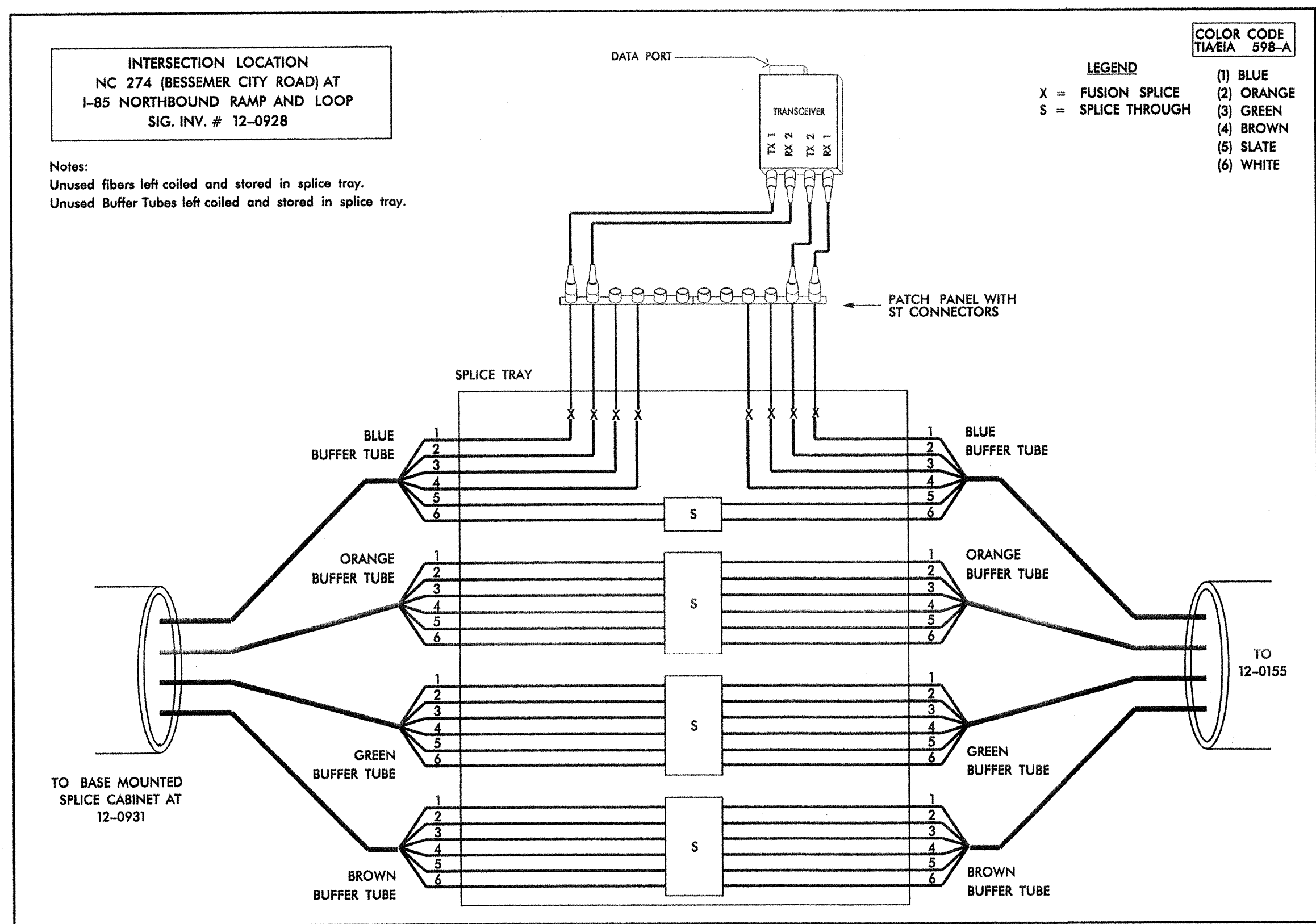


# FIBER OPTIC CABLE



Furnish Self Healing Ring Type Transceivers

Prepared in the Office of:  
**THE LPA GROUP**  
TRANSPORTATION CONSULTANTS  
THE LPA GROUP of North Carolina, LLC  
4000 WOODBRIDGE DRIVE, SUITE 201  
Raleigh, North Carolina 27608

**COMMUNICATION CABLE ROUTING SPLICE PLAN**  
DIVISION 12 GASTON COUNTY GASTONIA  
PLAN DATE: 3/20/03 REVIEWED BY: Rob Dubnicka, PE  
PREPARED BY: Andrew Spencer REVIEWED BY:

REVISIONS	INIT.	DATE

SCALE: NA

SEAL  
NORTH CAROLINA PROFESSIONAL ENGINEERS  
SEAL 027742  
ROBERT J. DUBNICKA  
ROBERT J. DUBNICKA  
DATE: 5-9-04  
SIGNATURE  
SIG. INVENTORY NO.

10-AUG-2004 10:12  
Y:\TFC\off\ch2408\2408\cable\spice\12-0928.dgn  
c:\dubn1.dwg