


9/29/99

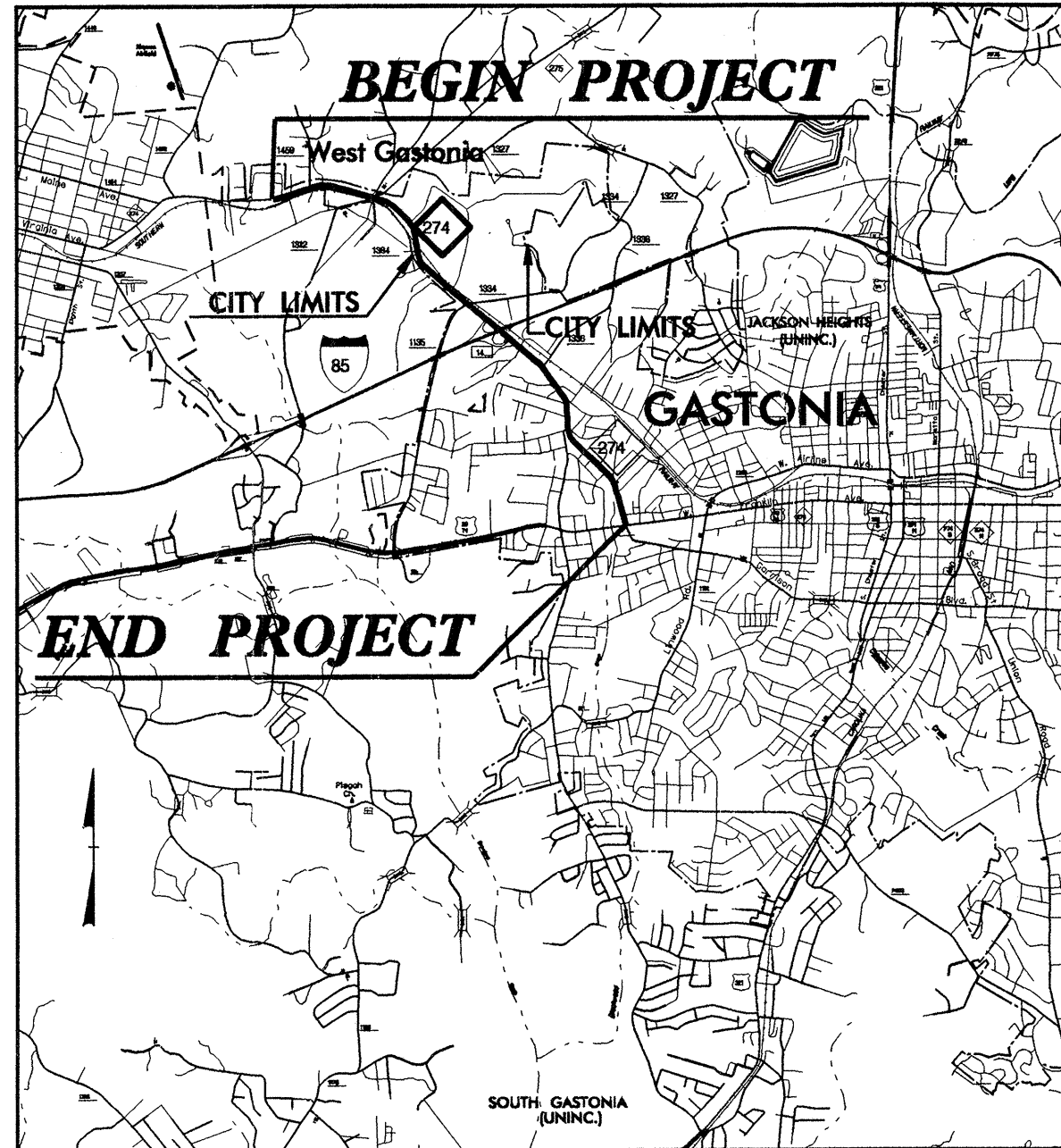
See Sheet 1A For Index of Sheets
See Sheet 1B For Conventional Symbols

STATE OF NORTH CAROLINA
DIVISION OF HIGHWAYS

GASTON COUNTY

 ALL DIMENSIONS IN THESE PLANS ARE IN METERS	STATE	STATE PROJECT REFERENCE NO.	SHEET NO.	TOTAL SHEETS
	N.C.	U-2408	1	
	STATE PROJ. NO.	F.A. PROJ. NO.	DESCRIPTION	
	34799.1.1	STPNHF-274(1)	PE	
	34799.2.1	STP-274(1)	RW, UTL	
	34799.3.1	STP-274(4)	CONST.	
	C201067		CONTRACT	

CONTRACT: C201067 T.I.P. PROJECT: U-2408

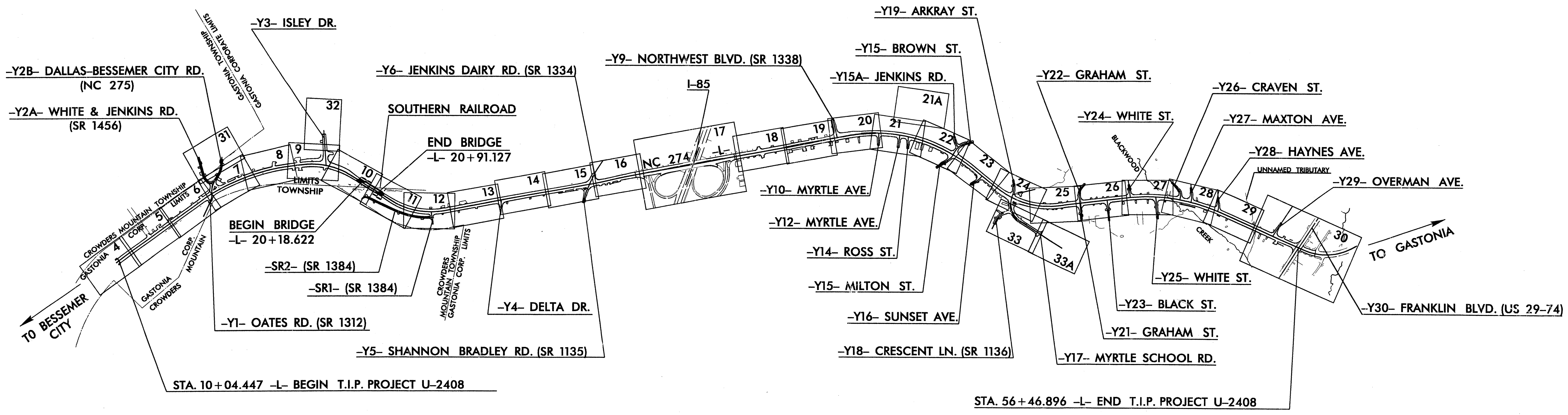


VICINITY MAP

LOCATION: NC 274 (BESSEMER CITY ROAD) FROM
NC 275 (DALLAS-BESSEMER CITY ROAD)
TO US 29-74 (FRANKLIN BOULEVARD)

TYPE OF WORK: GRADING, DRAINAGE, PAVING, SIGNALS,
GUARDRAIL, CURB AND GUTTER, SIGNING,
AND STRUCTURES

PART 2 OF 2



I:\SEP-2004_09\25
US Highway Projects\Dot\ncdot\U2408\proj\U2408.tsh