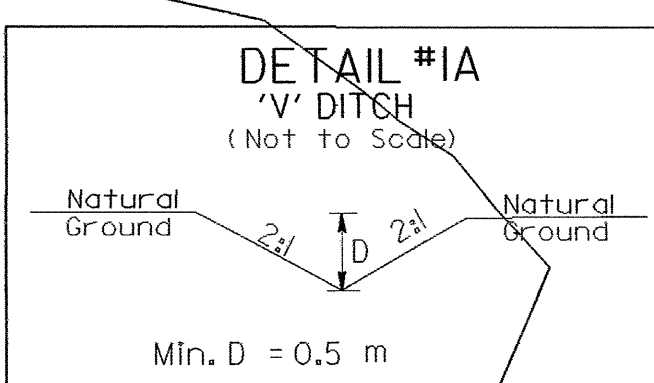
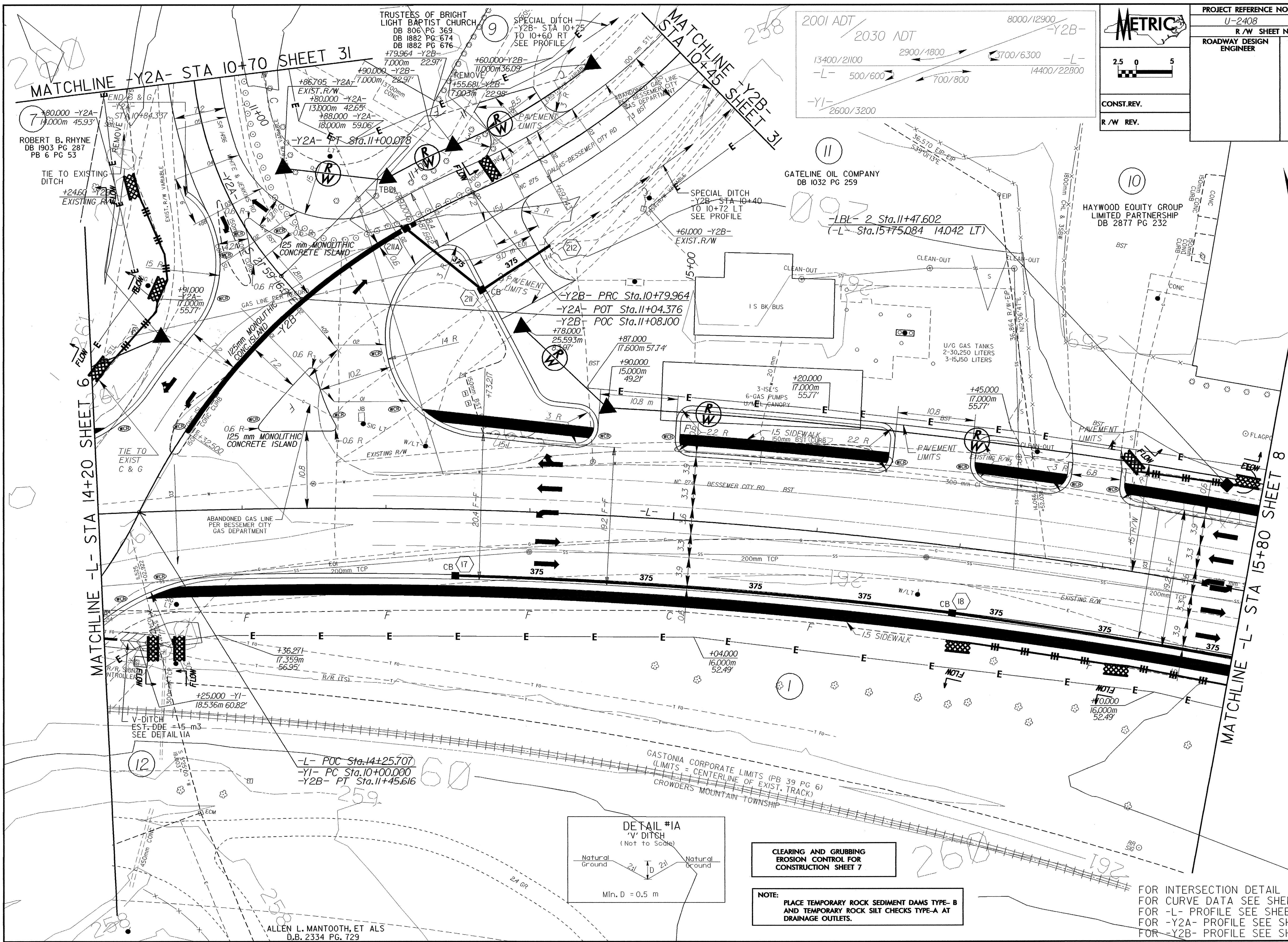
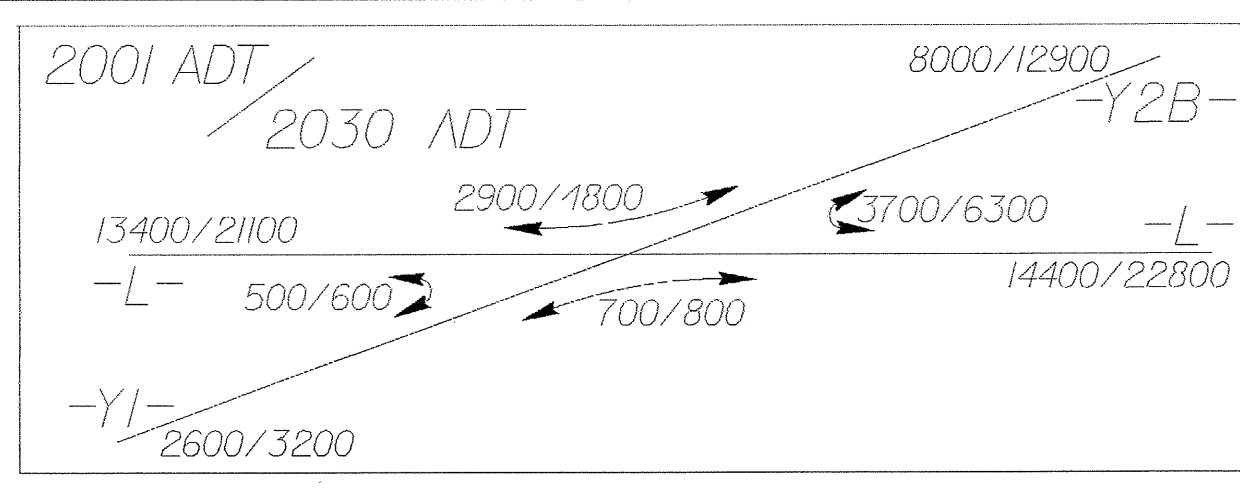


PROJECT REFERENCE NO.		SHEET NO.	
U-2408		EC-6/CONST.7	
R/W SHEET NO.			
ROADWAY DESIGN ENGINEER		HYDRAULICS ENGINEER	

METRIC

CONST. REV.

R/W REV.



**CLEARING AND GRUBBING
EROSION CONTROL FOR
CONSTRUCTION SHEET 7**

NOTE:
PLACE TEMPORARY ROCK SEDIMENT DAMS TYPE- B
AND TEMPORARY ROCK SILT CHECKS TYPE-A AT
DRAINAGE OUTLETS.

FOR INTERSECTION DETAIL SEE SHEET 2J
FOR CURVE DATA SEE SHEET 2I
FOR -L- PROFILE SEE SHEET 36
FOR -Y2A- PROFILE SEE SHEET 5I
FOR -Y2B- PROFILE SEE SHEET 5I

ALLEN L. MANTOOTH, ET ALS
D.B. 2334 PG. 729