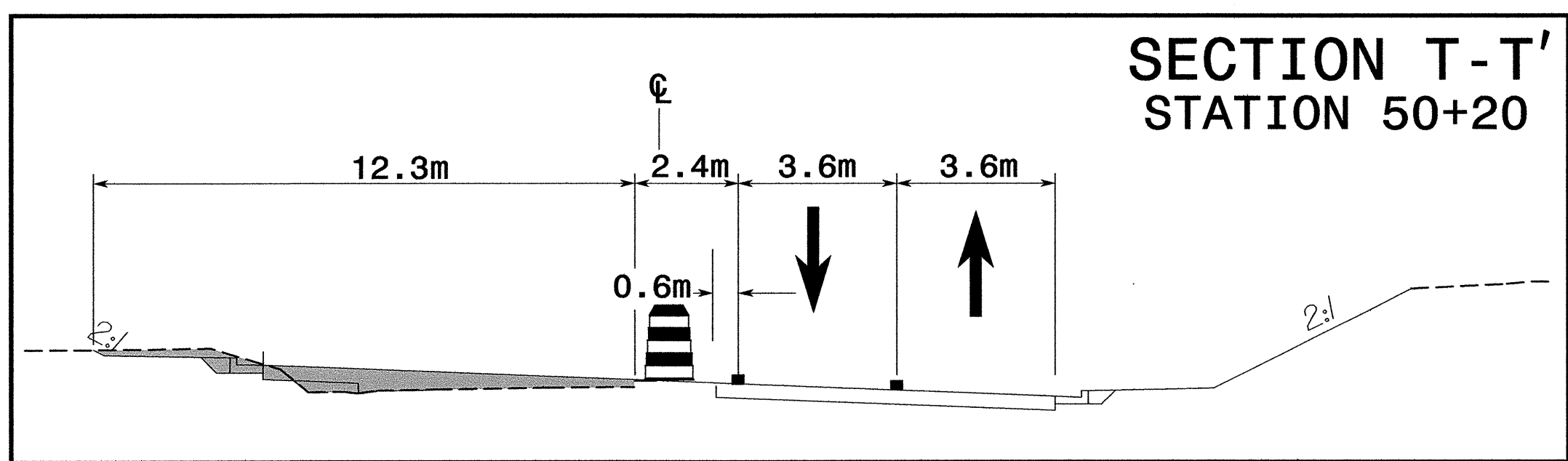
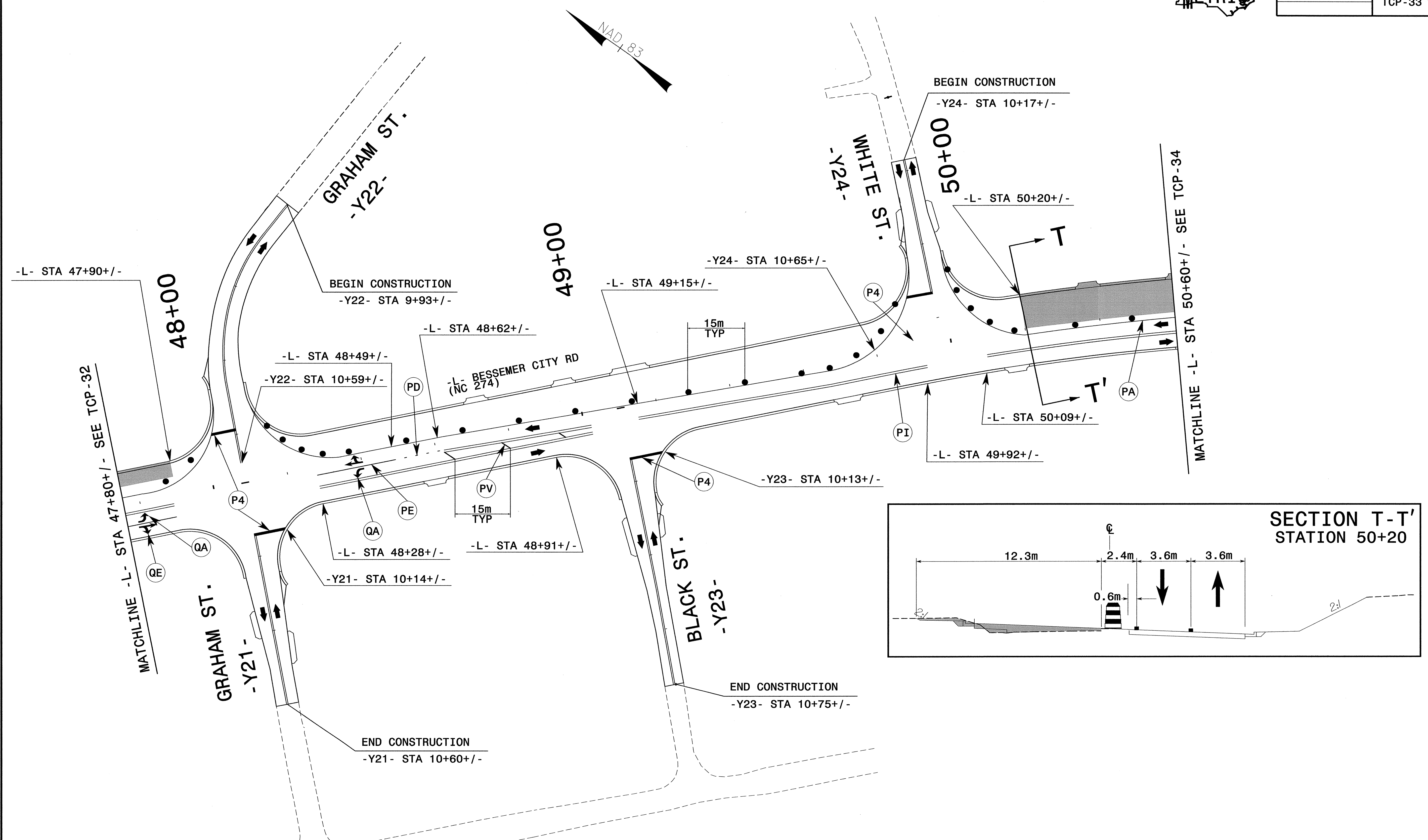




PROJ. REFERENCE NO.	SHEET NO.
U-2408	TCP-33



\$\$\$\$\$SYTIME\$\$\$\$\$  
 \$\$\$\$\$\$DGN\$\$\$\$\$  
 \$\$\$\$\$\$USERNAME\$\$\$\$\$

**SEPI ENGINEERING GROUP**  
 2300 Rexwoods Drive  
 Suite 370  
 Raleigh, NC 27607  
 Tel:919-789-9977 Fax:789-9591

APPROVED: \_\_\_\_\_ DATE: \_\_\_\_\_  
 SEAL: *[Signature]*  
 20104  
 ENGINEER  
 SPIRITH S. ASE PIV

<b>PHASE II</b>	
SCALE: NONE	REVISIONS
DATE: 7-04	
DWG. BY: CEK	
DESIGN BY: RCD	
REVIEWED BY: RLW	

