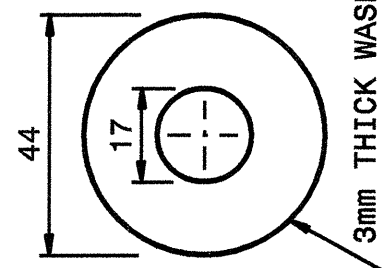
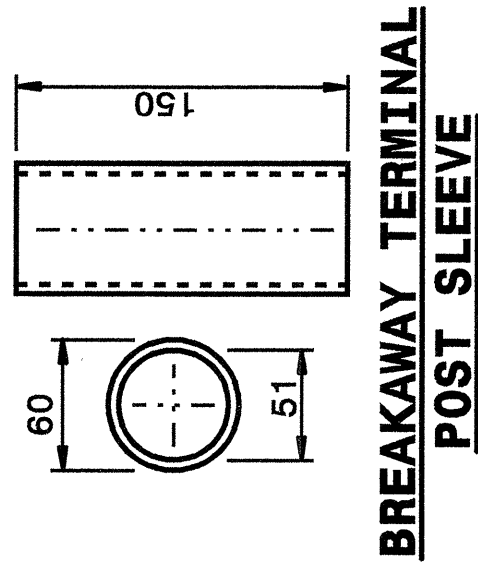


60-MAY-2003 07:54 c:\pwork\stds\02\stds to Spectral Details\metric\86202\0862d02m.dgn  
 tspeel AT 05/19/03

STATE OF  
 NORTH CAROLINA  
 DEPT. OF TRANSPORTATION  
 DIVISION OF HIGHWAYS  
 RALEIGH, N.C.

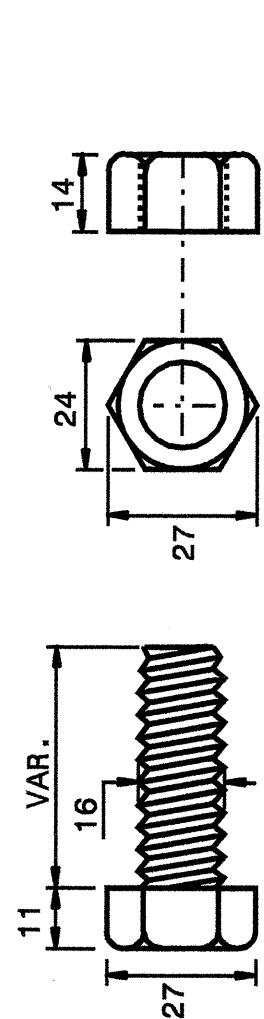
METRIC DETAIL DRAWING FOR  
**GUARDRAIL INSTALLATION**

SHEET 5 OF 7  
**862D02**

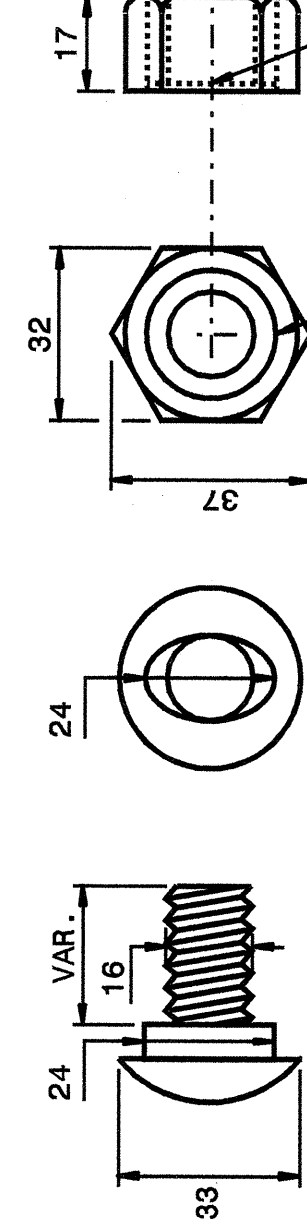


**DETAIL OF STANDARD WASHER**

STANDARD WASHER: TYPICAL USE UNDER NUT WITH WOOD POST



**DETAIL OF STANDARD HEX BOLT AND NUT**



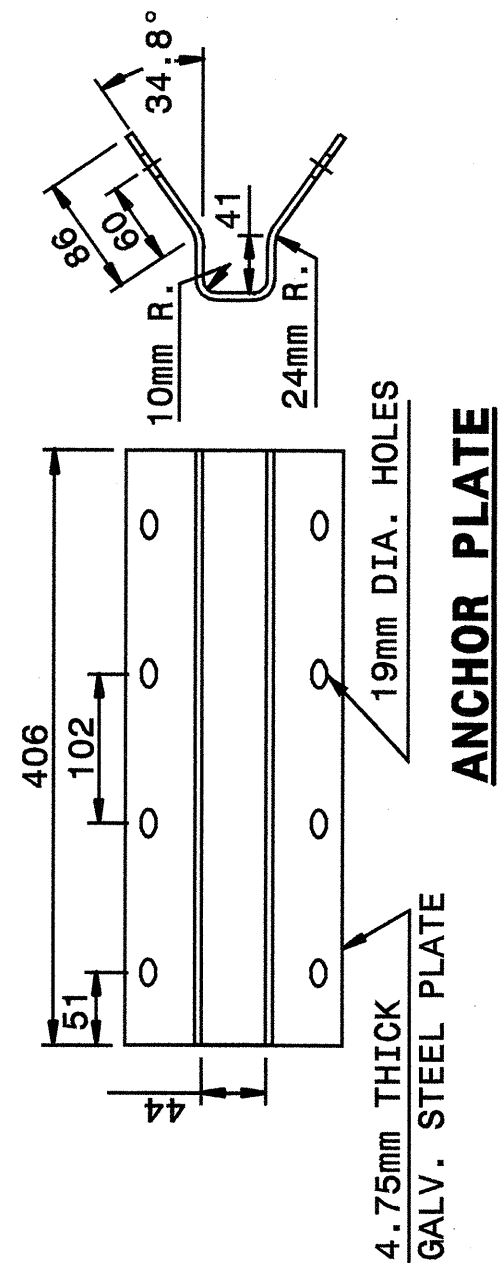
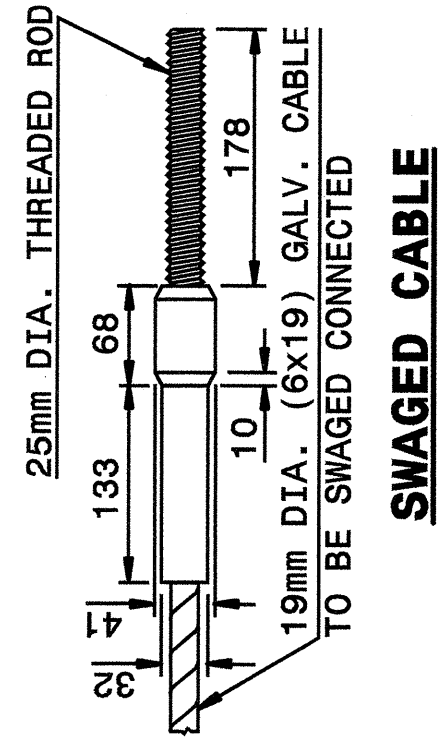
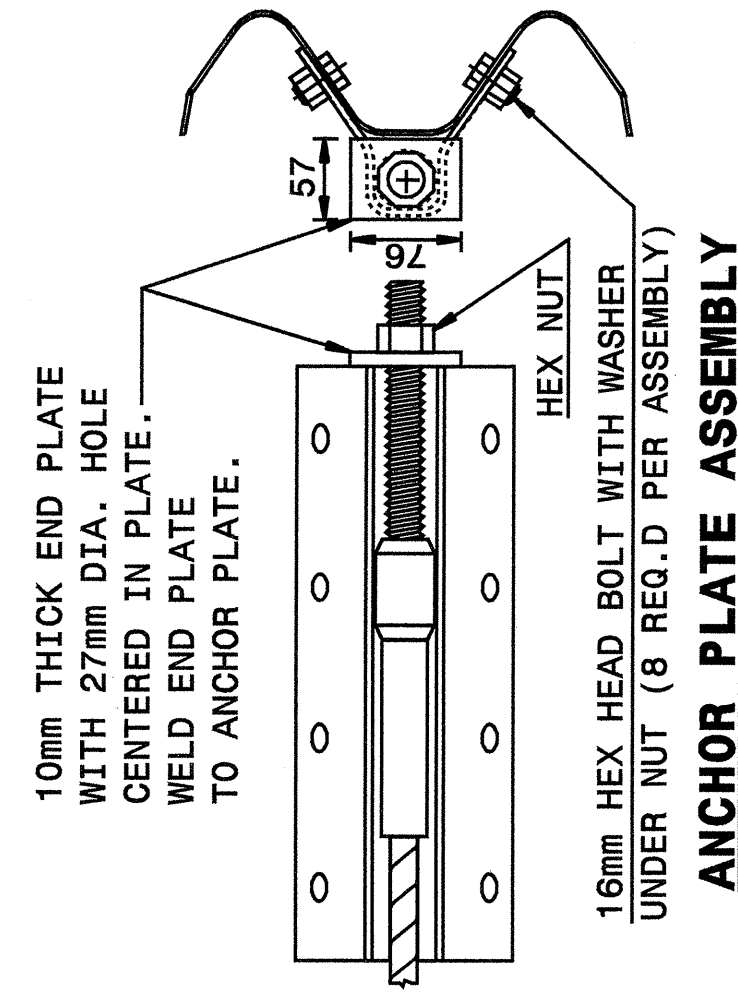
**DETAIL OF BUTTON HEAD BOLT AND NUT**

Note:  
 This drawing is dimensioned in millimeters unless otherwise depicted within the drawing.

STATE OF  
 NORTH CAROLINA  
 DEPT. OF TRANSPORTATION  
 DIVISION OF HIGHWAYS  
 RALEIGH, N.C.

METRIC DETAIL DRAWING FOR  
**GUARDRAIL INSTALLATION**

SHEET 5 OF 7  
**862D02**

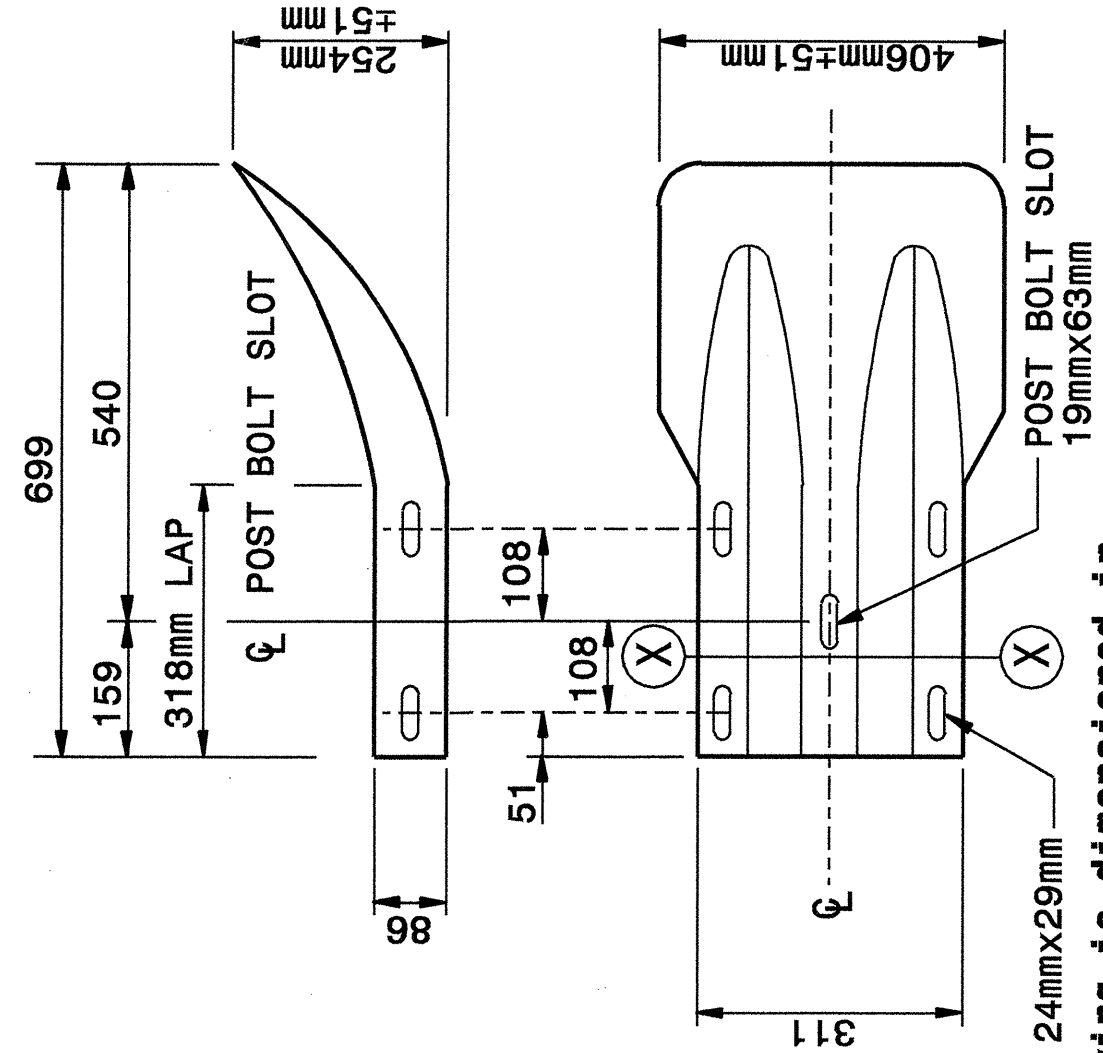
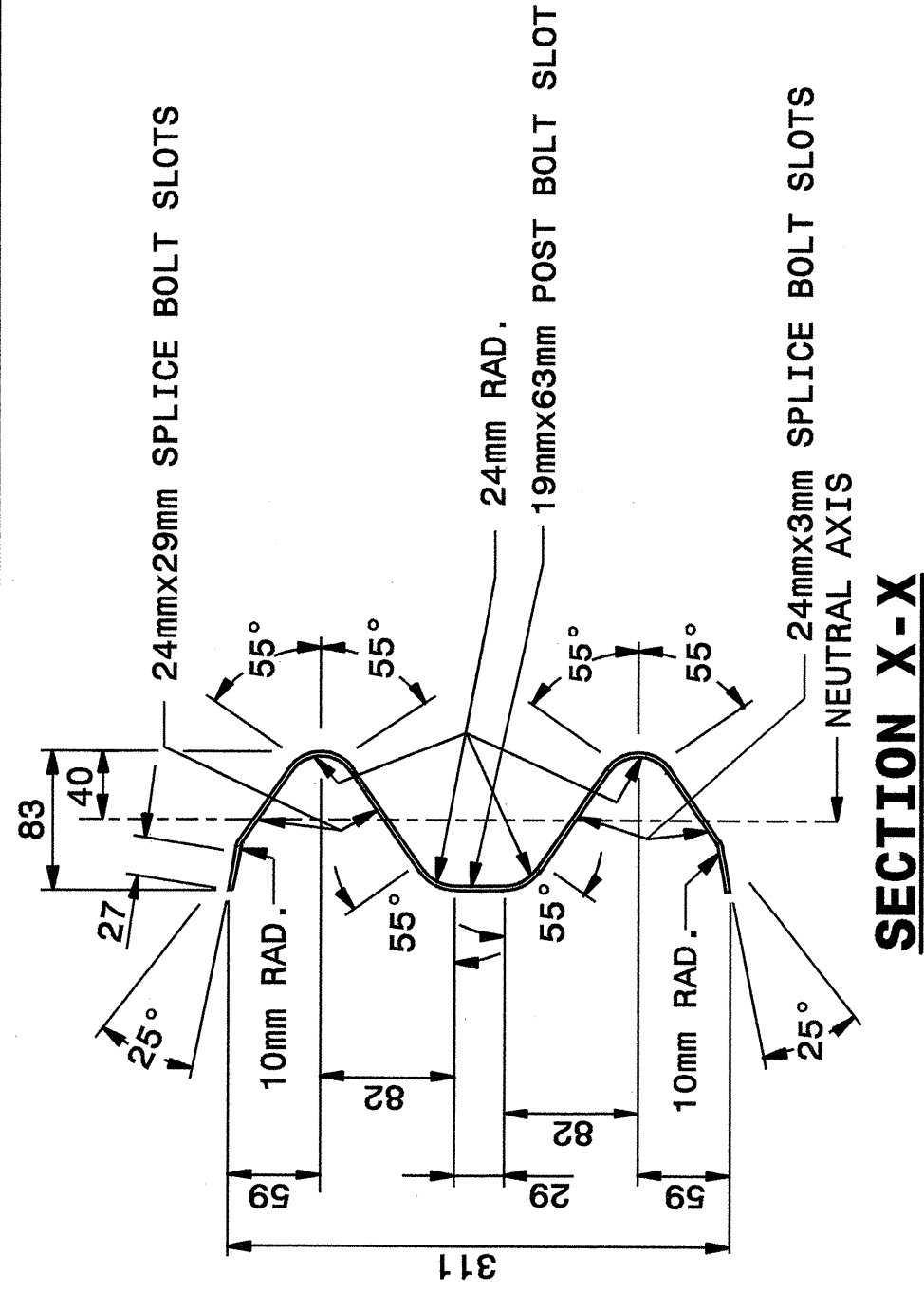


**SYSTEM PARTS**

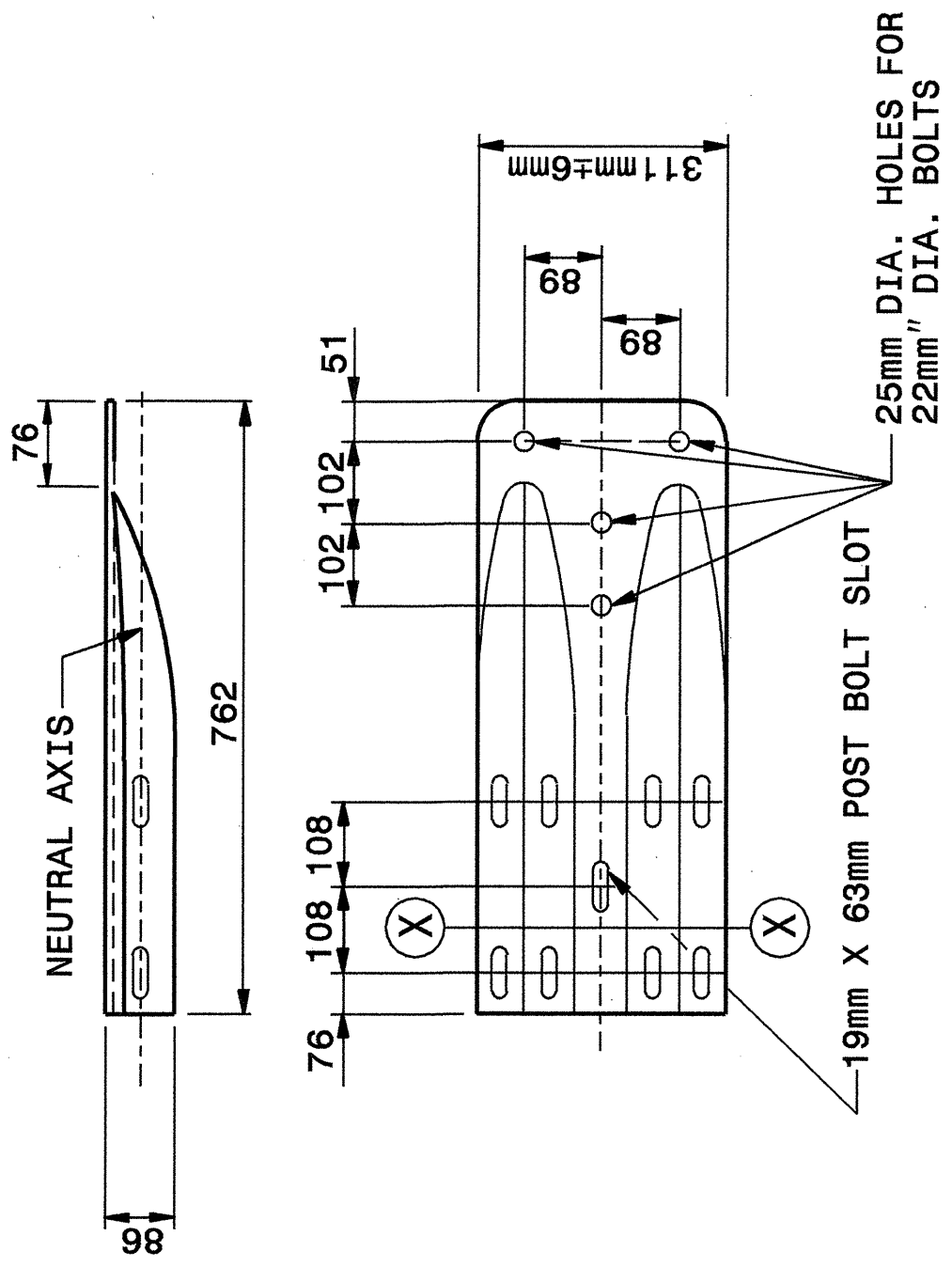
STATE OF  
 NORTH CAROLINA  
 DEPT. OF TRANSPORTATION  
 DIVISION OF HIGHWAYS  
 RALEIGH, N.C.

METRIC DETAIL DRAWING FOR  
**GUARDRAIL INSTALLATION**

SHEET 6 OF 7  
**862D02**



Note:  
 This drawing is dimensioned in millimeters unless otherwise depicted within the drawing.



**SYSTEM PARTS - GENERAL USE**

DESIGN SERVICES UNIT  
 STANDARDS AND SPECIAL DESIGN  
 Office 919-250-4128 FAX 919-250-4119

**SEE PLATE FOR TITLE**

ORIGINAL BY: 2002 STD.862.02 DATE:  
 MODIFIED BY: E.E. WARD DATE: 02-09-03  
 CHECKED BY: [Signature] DATE: 5-03  
 FILE SPEC.: Jusr/stds/02todet/metric/86202/862d02m.dgn

