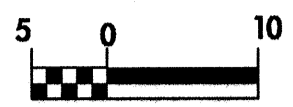
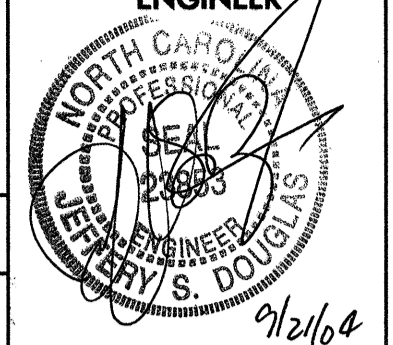
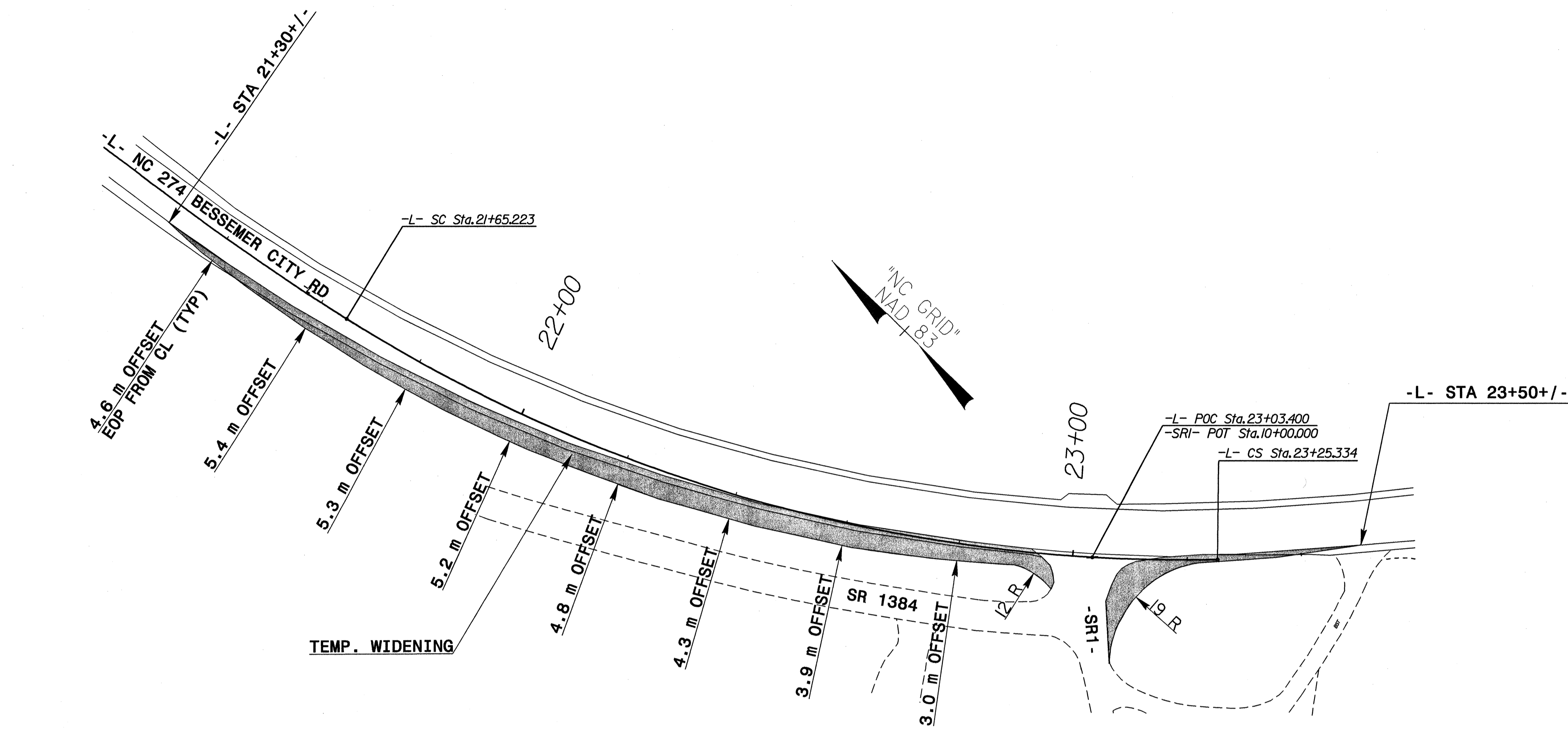
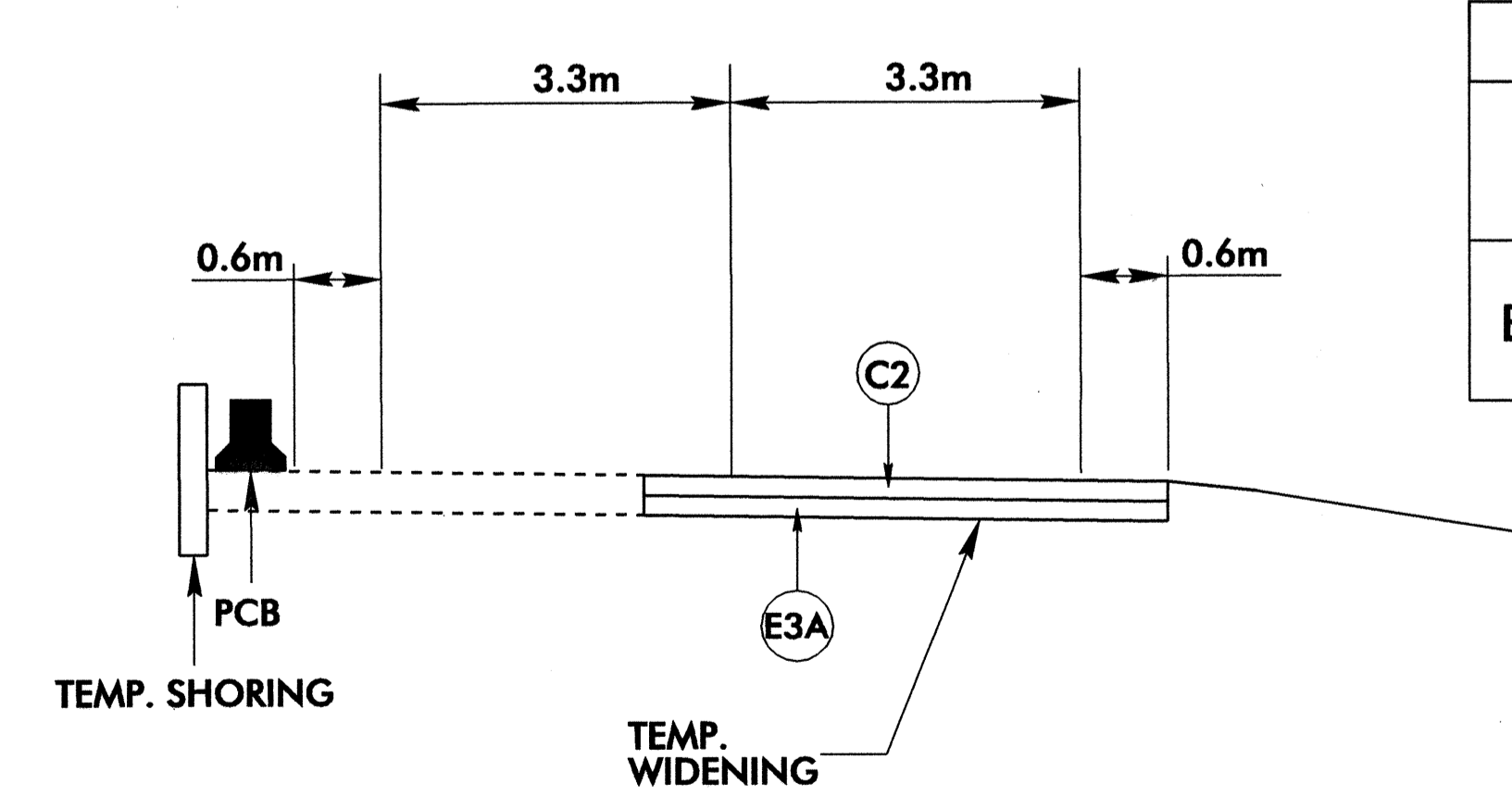
	PROJECT REFERENCE NO.	SHEET NO.
	U-2408	2X
	R/W SHEET NO.	
	ROADWAY DESIGN ENGINEER	HYDRAULICS ENGINEER
CONST. REV.		
R/W REV.	9/21/04	



REVISIONS



TYPICAL DETOUR SECTION A

PAVEMENT SCHEDULE	
C2	PROP. APPROX. 70 mm ASPHALT CONC. SURFACE COURSE, TYPE S9.5C, AT AN AVERAGE RATE OF 84 kg PER SQ. METER IN EACH OF TWO LAYERS.
E3A	PROP. APPROX. 120 mm ASPHALT CONC. BASE COURSE, TYPE B25.0C, AT AN AVERAGE RATE OF 290.0 kg PER SQ. METER

TEMPORARY PAVEMENT WIDENING
INTERSECTION OF
-SR1- (SR 1384)
AND -L- (NC 274 BESSEMER CITY ROAD)
GAS UTILITY CONSTRUCTION DETOUR SHEET A
(SEE SHEETS TCP-9A, TCP-9B, 12, X-17, X-18, X-19, X-20)

8/17/04
 21-SEP-2004 11:24
 Y:\Projects\U2408\pco\U2408temp\deming.tsp
 M:\staterp