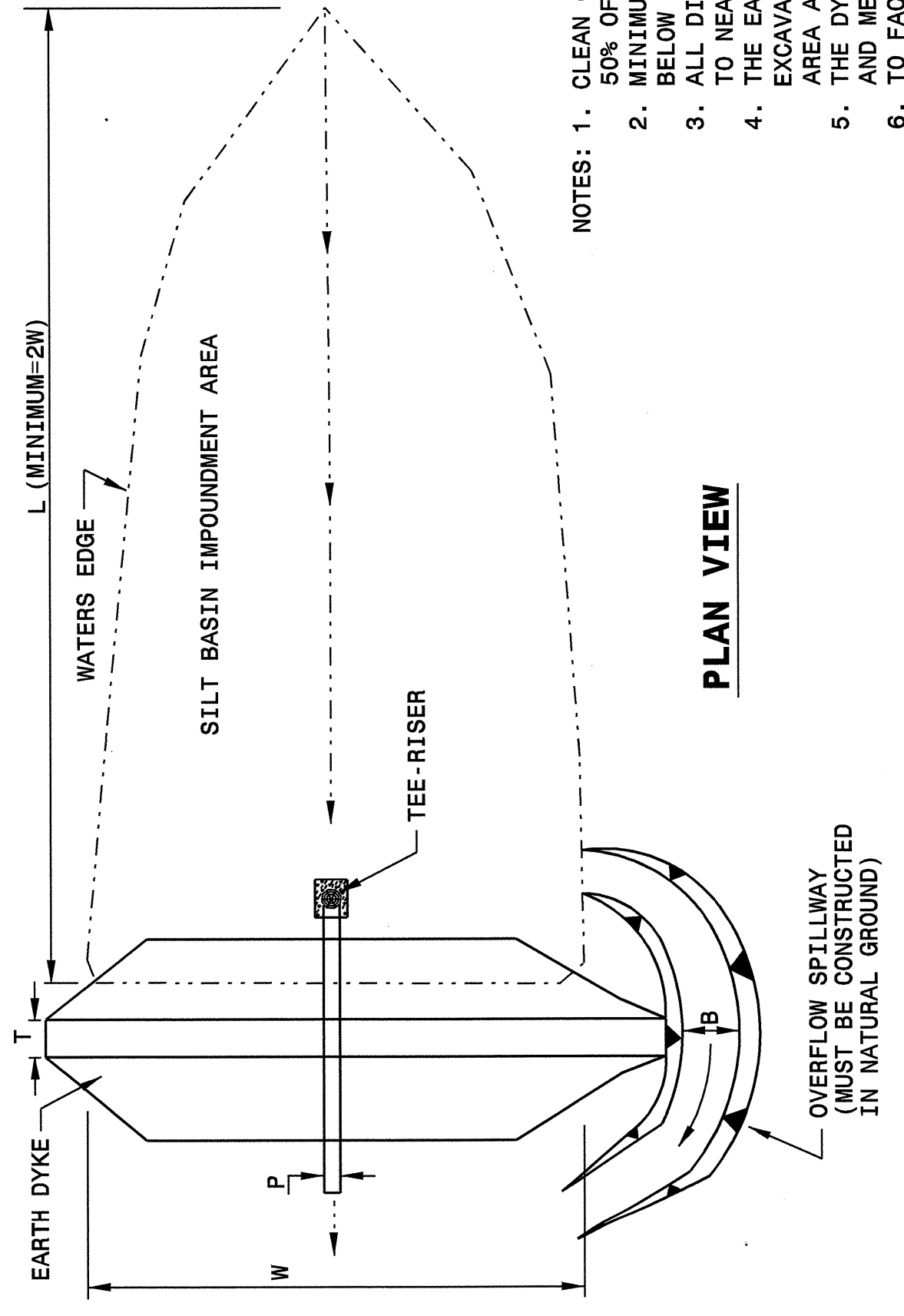




STATE OF NORTH CAROLINA DEPT. OF TRANSPORTATION DIVISION OF HIGHWAYS RALEIGH, N.C.

METRIC DETAIL DRAWING FOR RISER BASIN

SHEET 1 OF 2 1630D01



- NOTES:
- CLEAN OUT BASIN WHEN SEDIMENT VOLUME REACHES 50% OF STORAGE VOLUME.
 - MINIMUM SURFACE AREA AND MINIMUM VOLUME ARE MEASURED BELOW THE TOP OF PRINCIPAL SPILLWAY (TOP OF RISER).
 - ALL DIMENSIONS OF BASIN WILL NOT REQUIRE CONSTRUCTION TO NEAT LINES.
 - THE EARTH DYKE MAY BE CONSTRUCTED ALONG ONE OR MORE SIDES. EXCAVATION MAY BE REQUIRED TO PROVIDE MINIMUM SURFACE AREA AND/OR MINIMUM STORAGE VOLUME.
 - THE DYKE SHALL BE CONSTRUCTED OF MATERIAL SUITABLE FOR AND MEETING ROADWAY EMBANKMENT SPECIFICATIONS.
 - TO FACILITATE DETERMINATION OF MAINTENANCE CLEANOUT REQUIREMENT A MARKER SHOULD BE PLACED IN THE BASIN INDICATING THE 50% VOLUME LEVEL.
 - THE MINIMUM RISER PIPE DIAMETER SHOULD BE 1.2 TIMES THE BARREL PIPE DIAMETER.

STANDARD BASIN DIMENSIONS

P	D.A. (MAX)	ha	D*	E	F	B	X	Y	X1	Y1	SURFACE AREA (MIN)	STORAGE VOLUME (MIN)
800	6.5	4.0	0.3	1.8	2.9	2.1	0.5	2.4	2.3	0.3	424	765

* SHALL NOT EXCEED 3.6m

Note: This drawing is dimensioned in millimeters unless otherwise depicted within the drawing.

STATE OF NORTH CAROLINA DEPT. OF TRANSPORTATION DIVISION OF HIGHWAYS RALEIGH, N.C.

METRIC DETAIL DRAWING FOR RISER BASIN

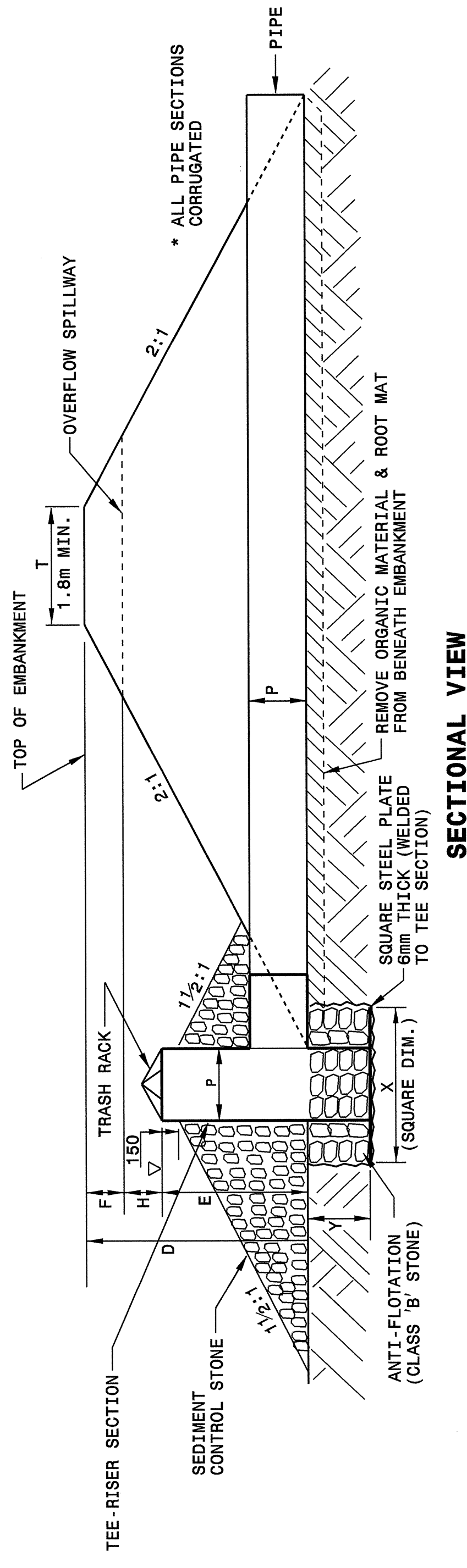
SHEET 1 OF 2 1630D01

17-SEP-2004 15:18 W:\Special_Details\metric\stand\1630d01.dgn

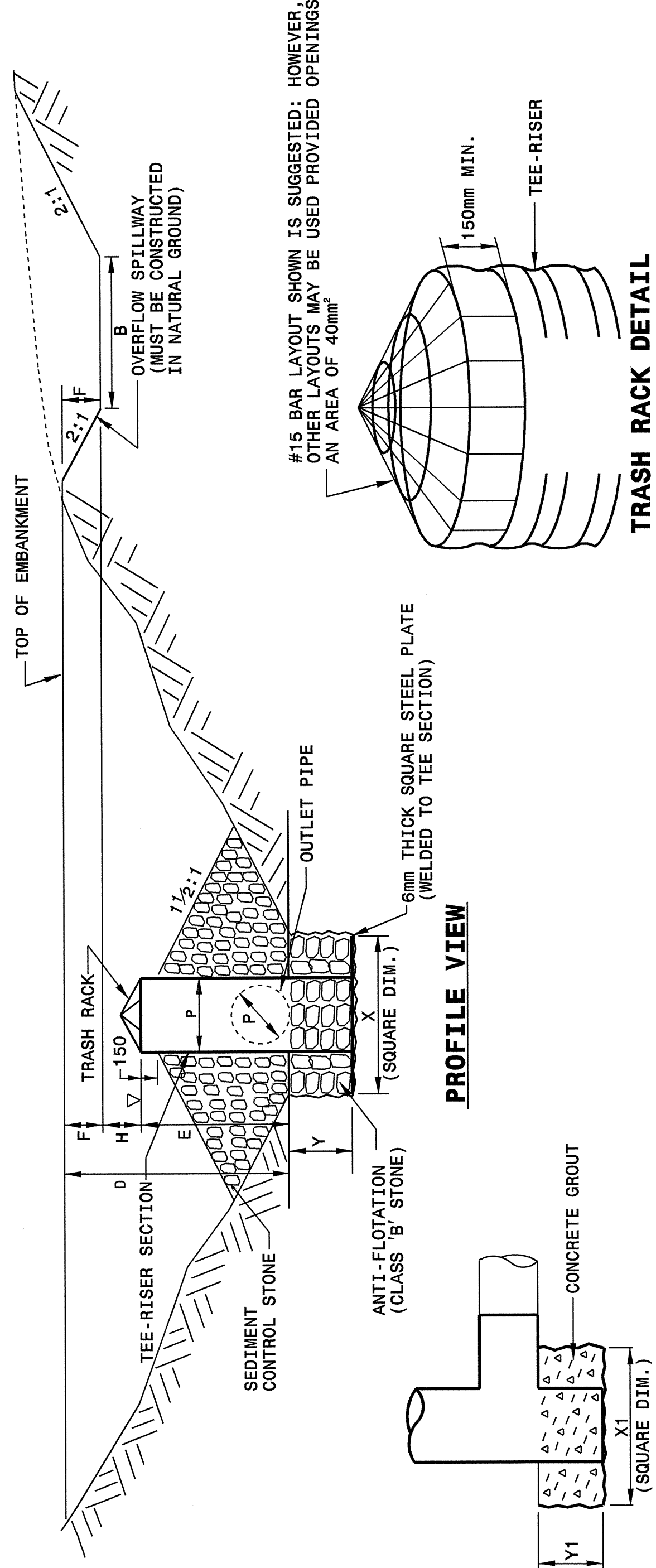
STATE OF NORTH CAROLINA DEPT. OF TRANSPORTATION DIVISION OF HIGHWAYS RALEIGH, N.C.

METRIC DETAIL DRAWING FOR RISER BASIN

SHEET 2 OF 2 1630D01



SECTIONAL VIEW



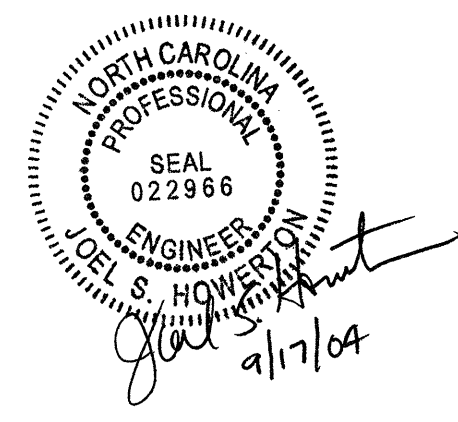
PROFILE VIEW

ALTERNATE ANTI-FLOTATION METHOD

STATE OF NORTH CAROLINA DEPT. OF TRANSPORTATION DIVISION OF HIGHWAYS RALEIGH, N.C.

METRIC DETAIL DRAWING FOR RISER BASIN

SHEET 2 OF 2 1630D01



DESIGN SERVICES UNIT STANDARDS AND SPECIAL DESIGN Office 919-250-4128 FAX 919-250-4119

SEE PLATE FOR TITLE

ORIGINAL BY: 2002 STDS DATE: 1-15-02
 MODIFIED BY: E.E. WARD DATE: 9-17-04
 CHECKED BY: DATE:
 FILE SPEC.: /usr/details/metric/stand/1630d01.dgn