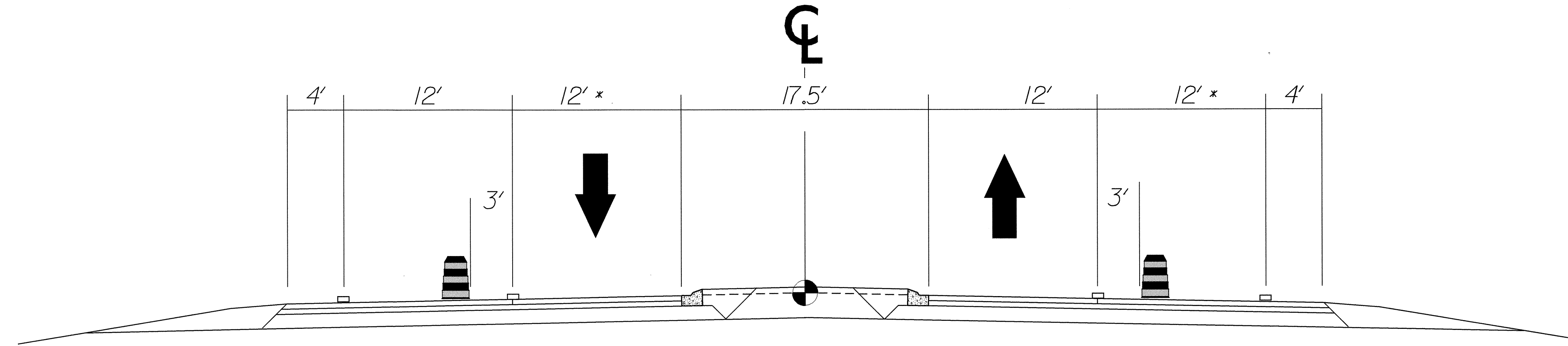
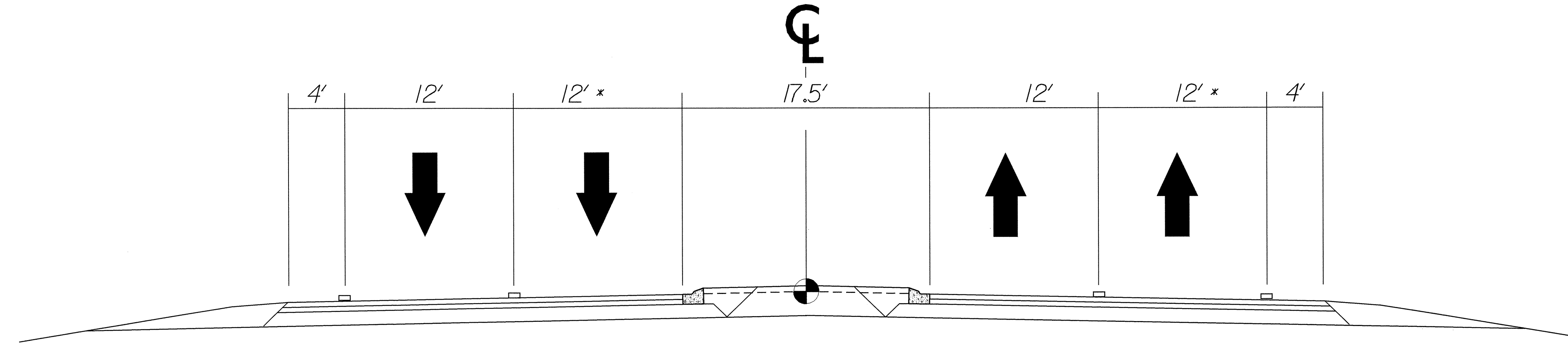


(NOTE: FLIP TYPICAL C-C TO PAVE THE LEFT SIDE)
*14' FOR CURB & GUTTER SECTION


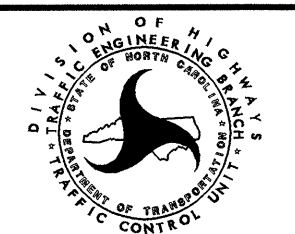


*14' FOR CURB & GUTTER SECTION



*14' FOR CURB & GUTTER SECTION

SEE SHEET PM-1 FOR PAVEMENT MARKING SCHEDULE .
SEE ROADWAY STANDARD DRAWING NO. 1250.01 AND 1251.01 FOR
PAVEMENT MARKER SPACING AND RAISED PAVEMENT MARKERS.

APPROVED: <i>[Signature]</i> DATE: 12/20/04	PHASE V								
SEAL 	SCALE: NONE DATE: 09-04 DWG. BY: MRM DESIGN BY: MRM REVIEWED BY: JWG		REVISIONS <table border="1" style="width: 100%; height: 40px;"> <tr><td> </td><td> </td></tr> <tr><td> </td><td> </td></tr> <tr><td> </td><td> </td></tr> </table>						