
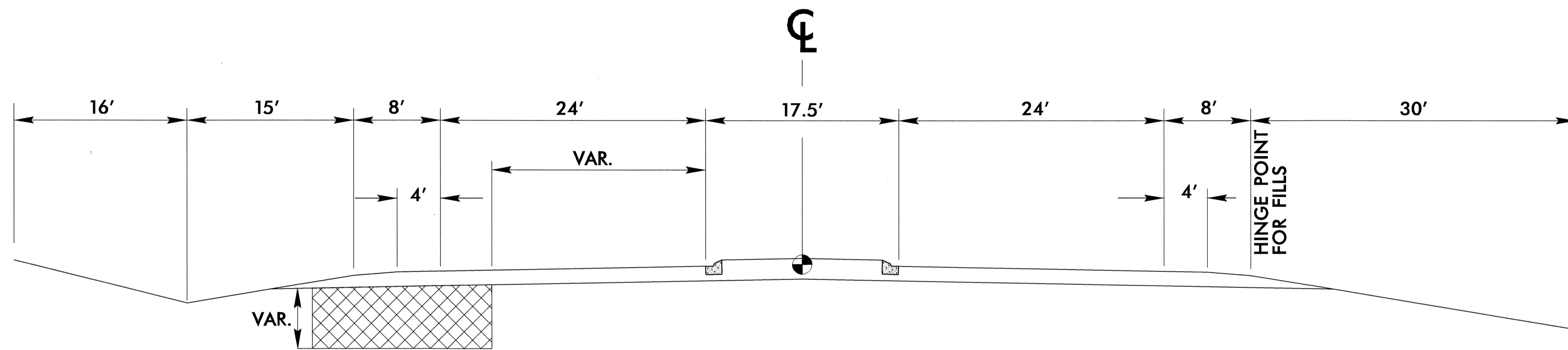


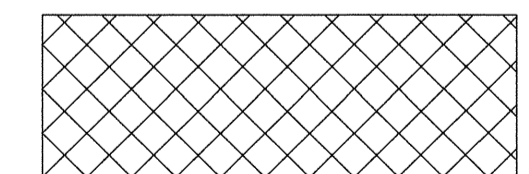
PROJECT REFERENCE NO. R-2904	SHEET NO. 2-H
ROADWAY DESIGN ENGINEER 	PAVEMENT DESIGN ENGINEER



UNDERCUT DETAIL NO. 1

UNDERCUT DETAIL NO. 1

-L- STA. 33+25 TO 35+75



DENOTES UNDERCUT