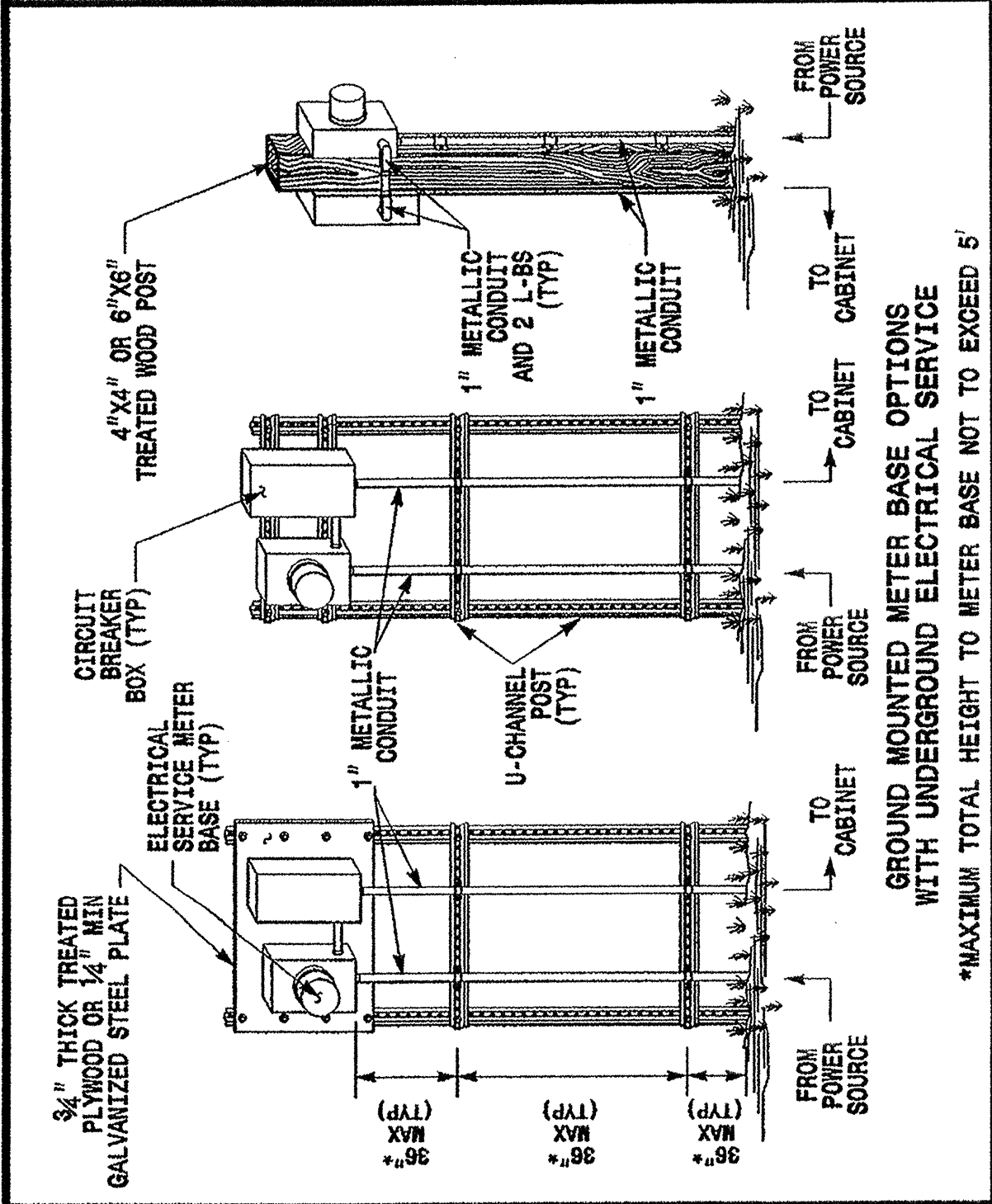


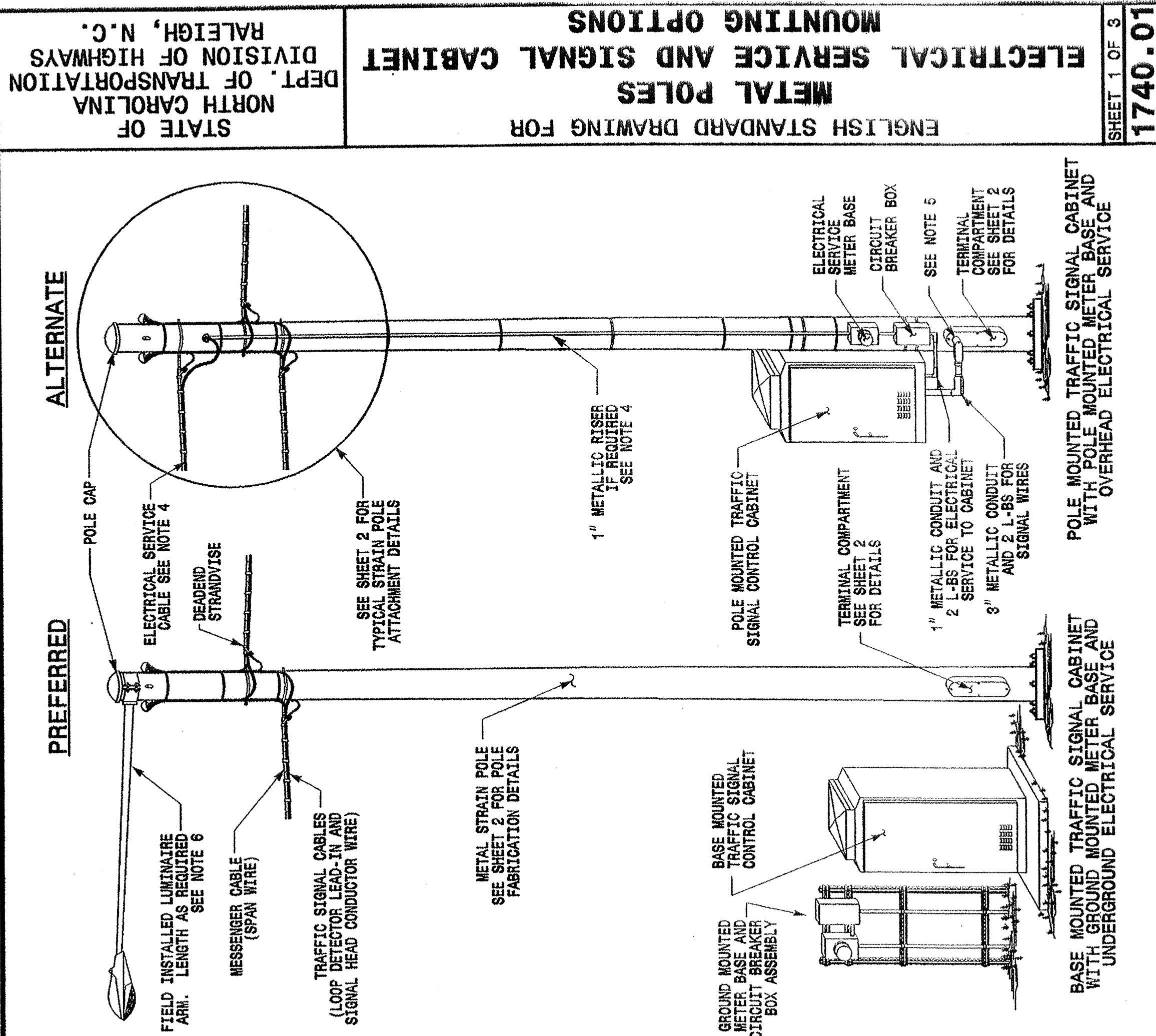
21-SEP-2003 11:26  
 \\P2601\cnc-001\tech\p\cous\036\cous\trondr\dwg\skwd\1\shw\1\en\sheet\*174001.dwg  
 condre



**GENERAL NOTES**

- WHEN TRAFFIC SIGNALS ARE INSTALLED USING METAL SIGNAL SUPPORTS:
  - BASE MOUNTED CABINETS ARE THE PREFERRED CABINET MOUNTING OPTION. OPTIONS SHOWN ROUTE POWER SOURCE UNDERGROUND AND USE GROUND MOUNTING OPTION IF POSSIBLE.
  - ABOVE TO INSTALL METER BASE AND CIRCUIT BREAKER BOX IF POSSIBLE.
- LOCATE THE METER BASE ASSEMBLY NEAR THE SIGNAL CABINET IN A MANNER THAT WILL ALLOW EASY ACCESS TO THE CIRCUIT BREAKER BOX.
- INSTALL METER BASE ASSEMBLIES AS SHOWN ABOVE. ENSURE 1" METALLIC CONDUITS ARE PROPERLY SECURED BETWEEN THE METER BASE ASSEMBLIES AND THE GROUND TO MINIMIZE DAMAGE POTENTIAL. REFER TO ROADWAY STANDARD DRAWING 1751.02 FOR ELECTRICAL SERVICE DETAILS.
- INSTALL ELECTRICAL SERVICE ENTRANCE CONDUCTOR AS SHOWN WHEN UNDERGROUND SOURCE IS NOT AN OPTION. METER BASE AND CIRCUIT BREAKER BOX MUST BE INSTALLED IN AN UNDERGROUND MOUNTED METER BASE ASSEMBLY FOR THE INSTALLATION. SEE SHEET 2 FOR ADDITIONAL INSTALLATION DETAILS.
- FOR POLE MOUNTED CABINETS, USE A FACTORY DRILLED HOLE IN THE TERMINAL COMPARTMENT TO PROVIDE ACCESS FOR SIGNAL WIRES ENTERING THE POLE FROM THE CABINET. FIELD DRILLED HOLES ARE ACCEPTABLE ONLY IF APPROVED BY THE ENGINEER.
- SEE ROADWAY STANDARD DRAWING 1406.01 (LIGHT STANDARD LUMINAIRES) FOR LUMINAIRE INSTALLATIONS.

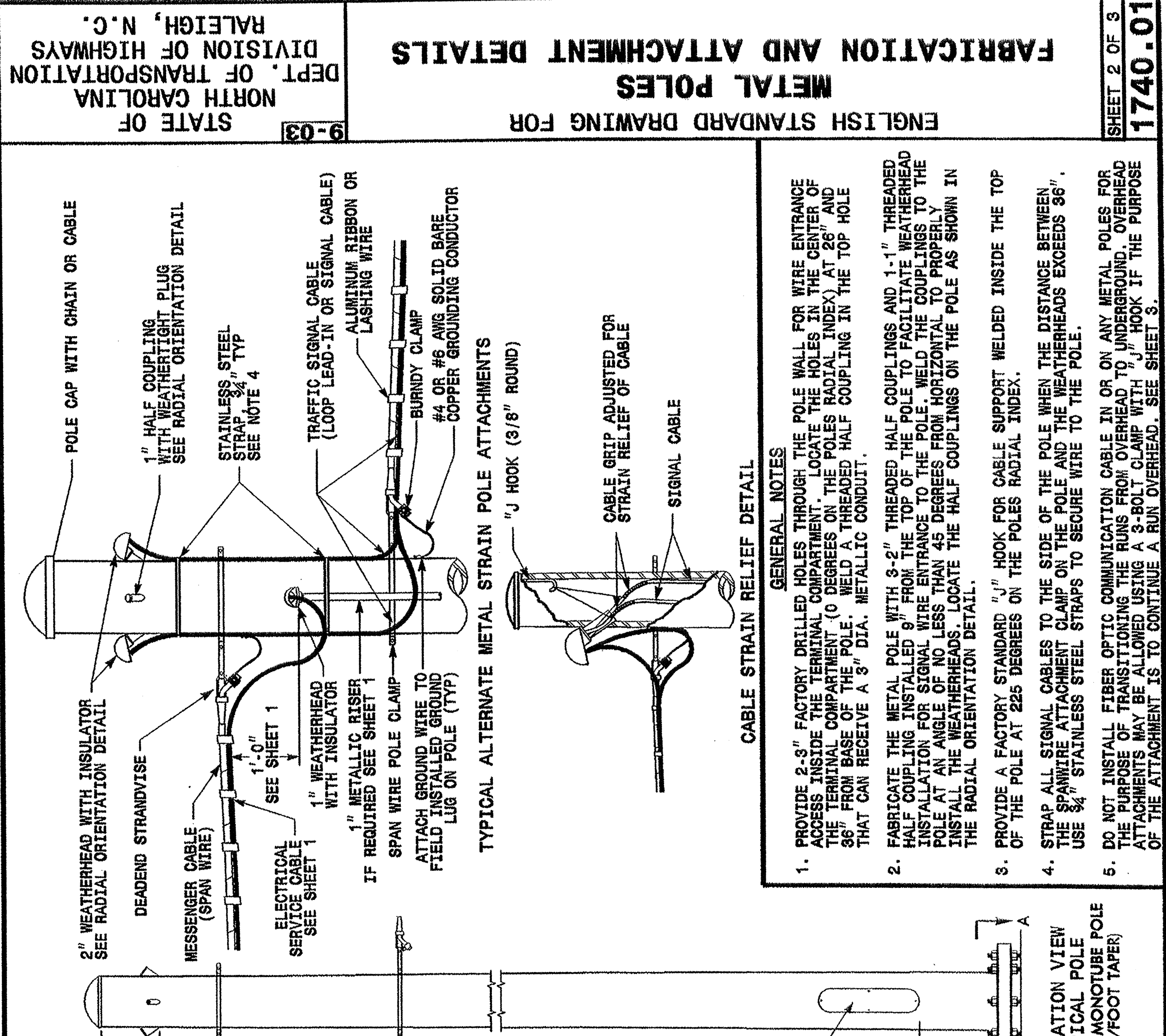
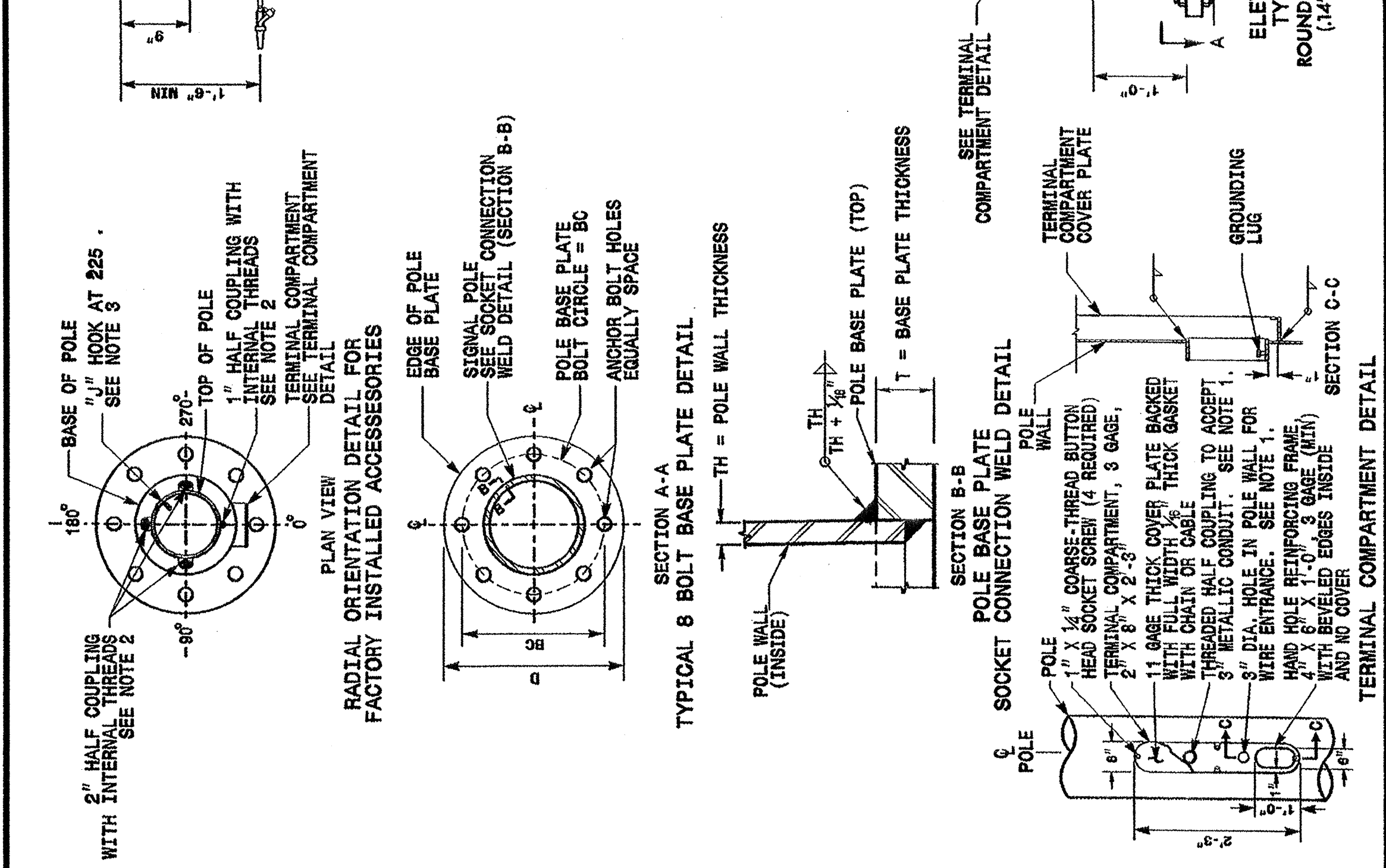
\*MAXIMUM TOTAL HEIGHT TO METER BASE NOT TO EXCEED 5'



STATE OF NORTH CAROLINA  
 DEPT. OF TRANSPORTATION  
 DIVISION OF HIGHWAYS  
 RALEIGH, N.C.

ENGLISH STANDARD DRAWING FOR  
**METAL POLES**  
 ELECTRICAL SERVICE AND SIGNAL CABINET  
 MOUNTING OPTIONS

SHEET 1 OF 3  
**1740.01**



STATE OF NORTH CAROLINA  
 DEPT. OF TRANSPORTATION  
 DIVISION OF HIGHWAYS  
 RALEIGH, N.C.

ENGLISH STANDARD DRAWING FOR  
**METAL POLES**  
 FABRICATION AND ATTACHMENT DETAILS

SHEET 2 OF 3  
**1740.01**

Structural Engineer  
 NORTH CAROLINA PROFESSIONAL SEAL 028094  
 D. S. Saylor 9-23-03

Electrical Engineer  
 NORTH CAROLINA PROFESSIONAL SEAL 16286  
 MILTON J. DEAN 9-24-03

Standard Drawings  
 Traffic Management and Signal Systems Unit  
 122 N. McDowell St., Raleigh, NC 27603

See Plate for Title

Original: 2002 Standards