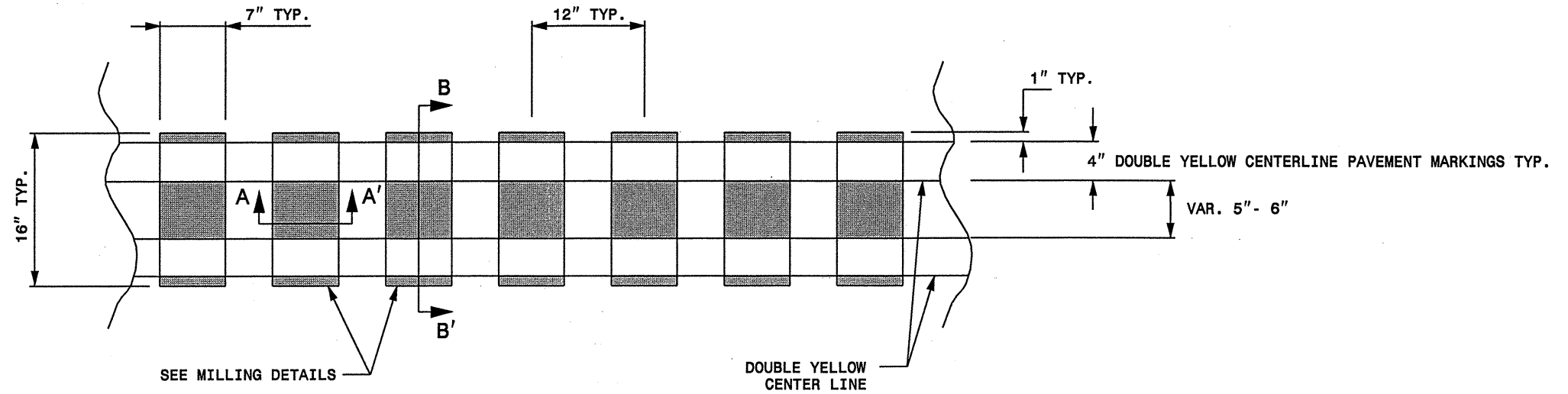


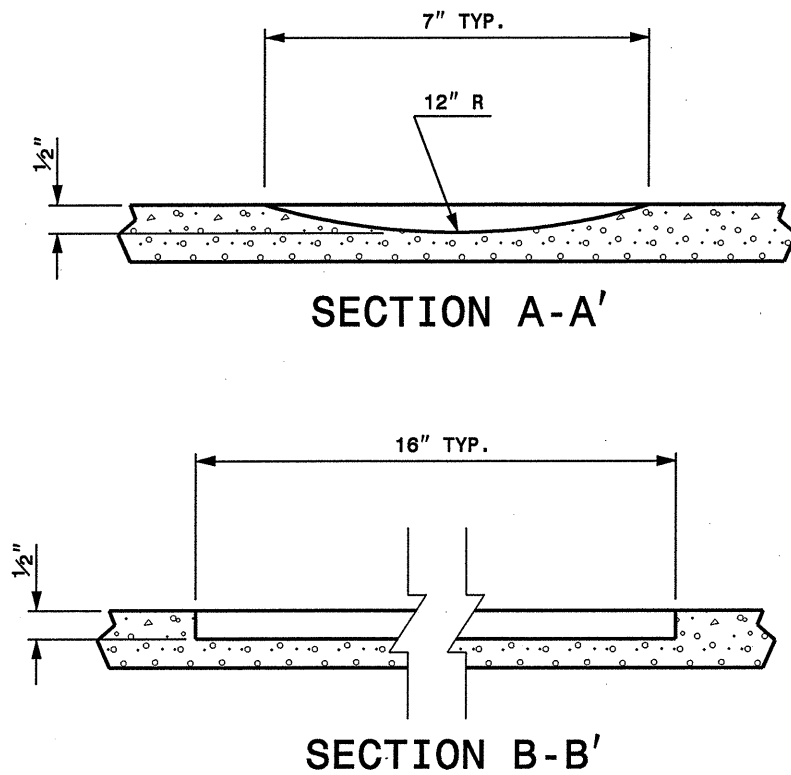
PAVEMENT MARKINGS ON CENTERLINE RUMBLE STRIPS

WBS Elements: 34540,
39236, 3CR.20311.14
& 3CR.20821.14

PROJ. REFERENCE NO. See to the Left	SHEET NO. TCP-2
--	--------------------

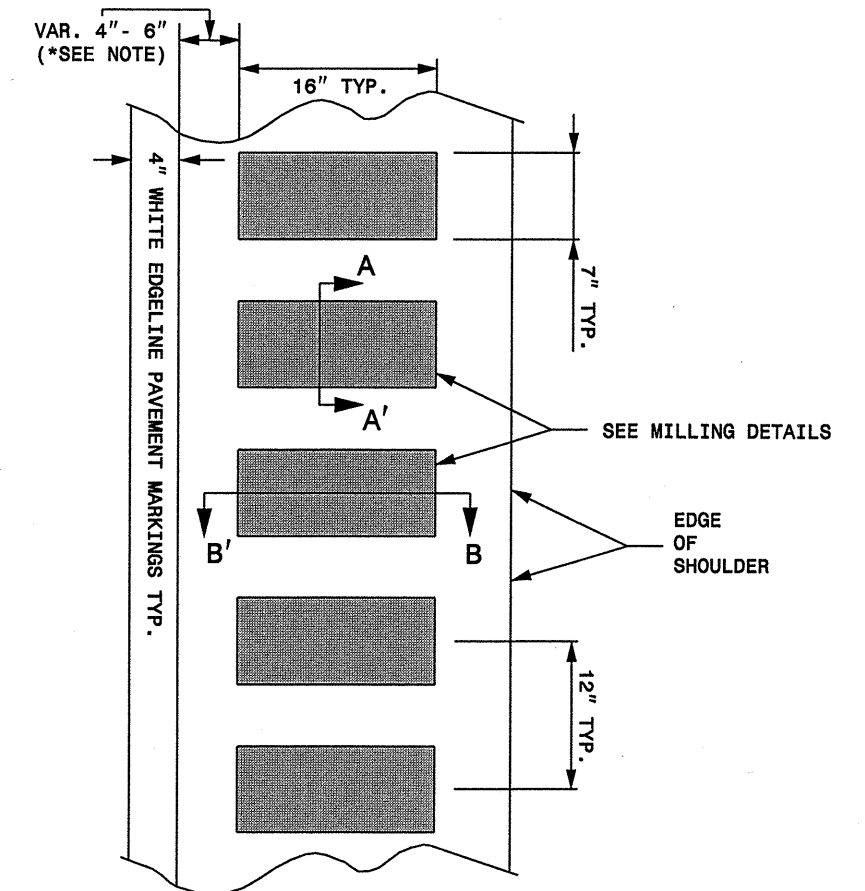


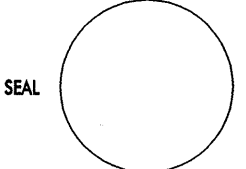
MILLING DETAILS



EDGE OF PAVEMENT MARKINGS AND SHOULDER RUMBLE STRIPS

*NOTE:
IF EDGELINE IS ADJACENT
TO A PAVEMENT JOINT,
PLACE MILLED RUMBLE STRIPS
4" TO 6" FROM THE JOINT.



APPROVED: _____	DATE: _____	PAVEMENT MARKINGS AND MILLED RUMBLE STRIPS	
			
		DATE: _____	DESIGN BY: _____