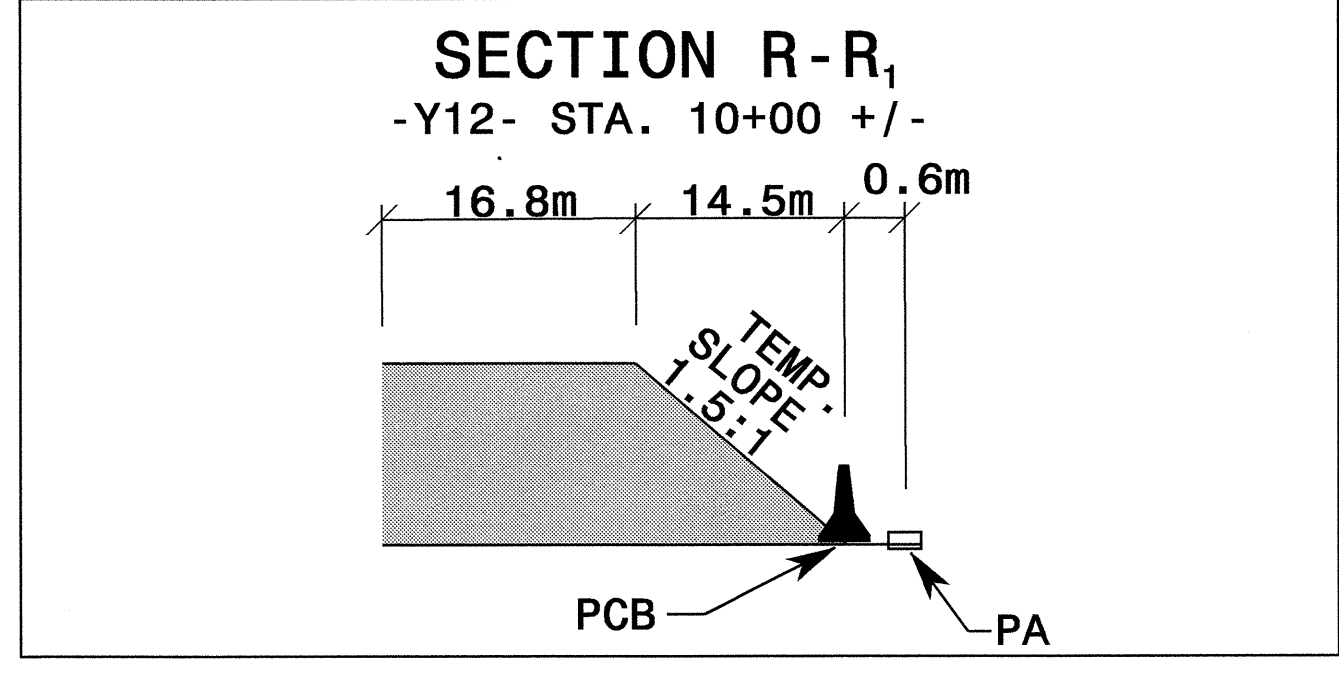
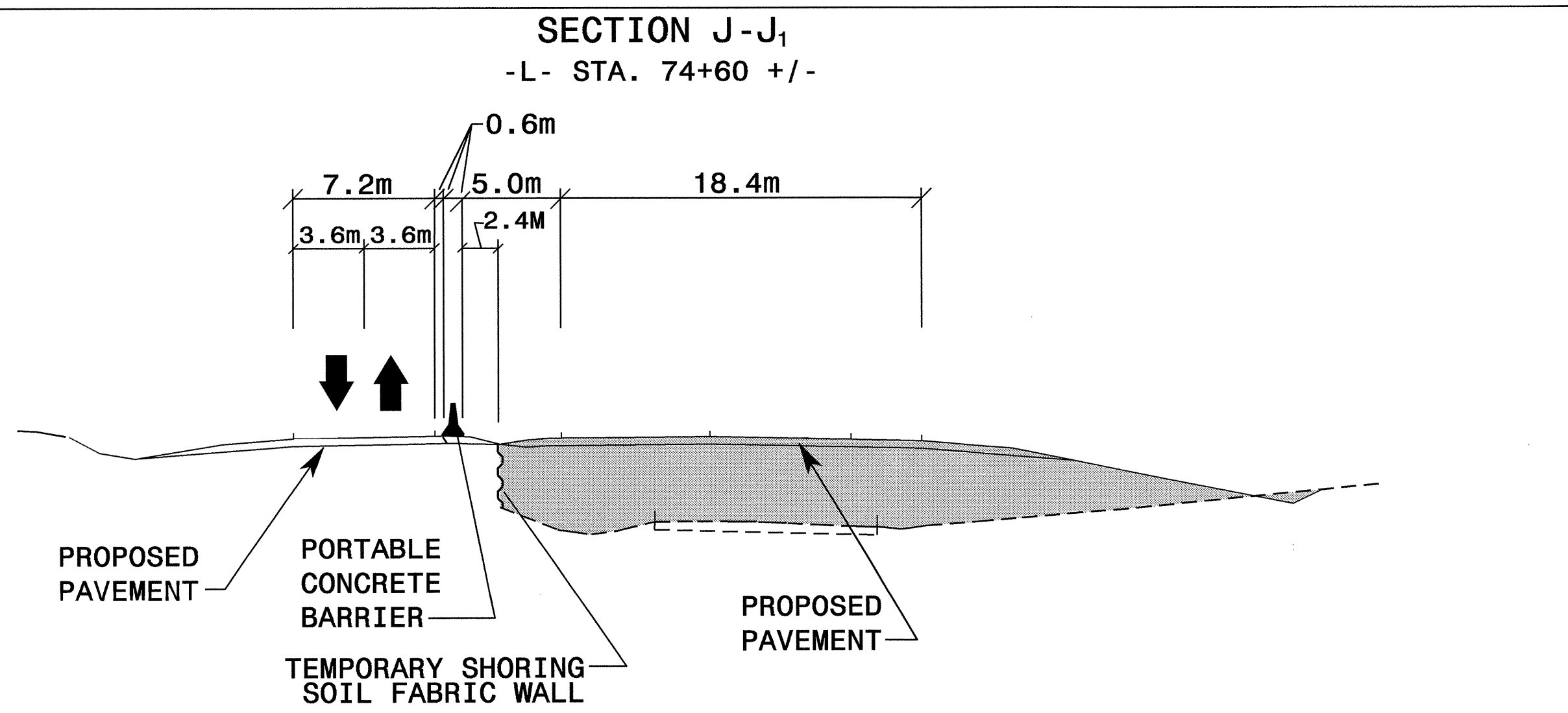
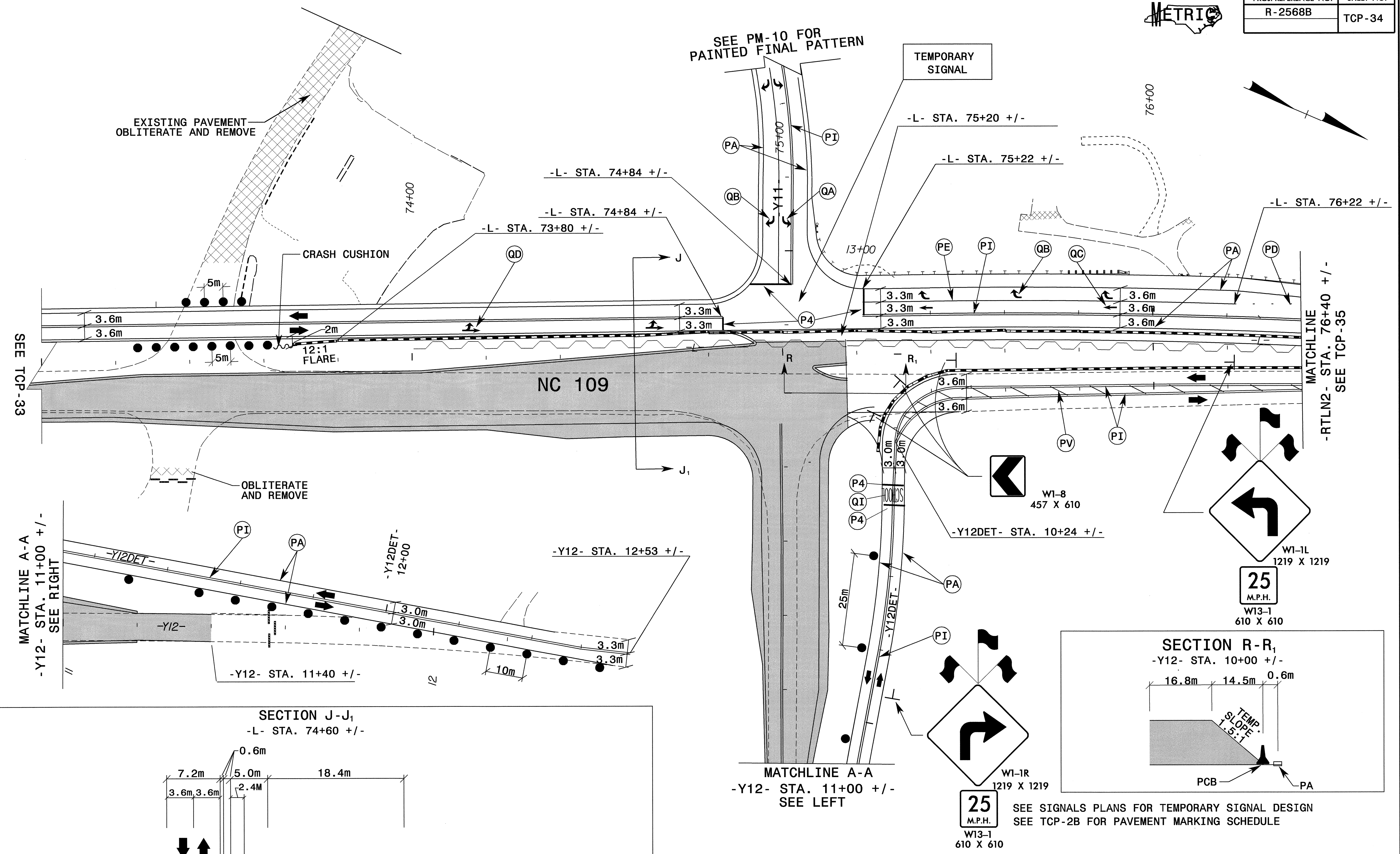




PROJ. REFERENCE NO.	SHEET NO.
R-2568B	TCP-34



25 M.P.H. W13-1 610 X 610

SEE SIGNALS PLANS FOR TEMPORARY SIGNAL DESIGN

SEE TCP-2B FOR PAVEMENT MARKING SCHEDULE

APPROVED: *[Signature]* DATE: 2/3/03

SEAL

PROFESSIONAL ENGINEER

SEAL 022104

JOHN S. KITTE

PHASE III	
SCALE: NONE	REVISIONS
DATE: 02/03	
DWG. BY: SJS	
DESIGN BY: SJS	
REVIEWED BY: CLM	

03-SEP-2004 14:42
 J:\TCP\PHASE3_TCP34.dgn
 smullen AT TET188614