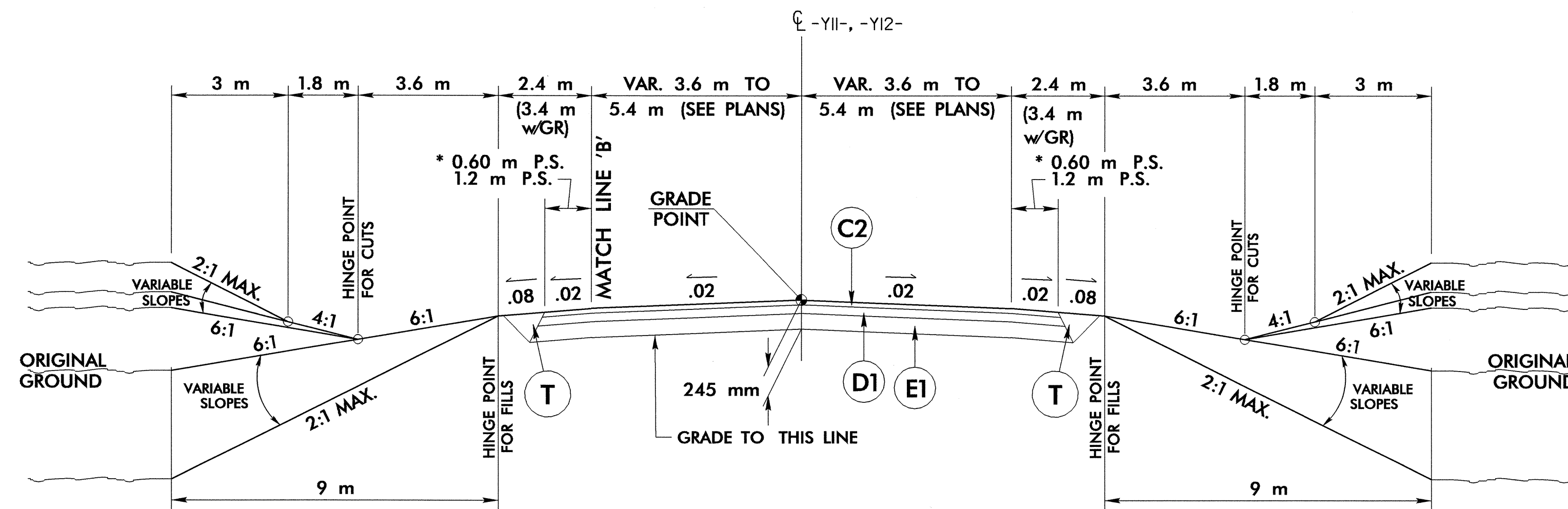


PAVEMENT SCHEDULE	
C2	80 mm S9.5B
D1	65 mm I19.0B
E1	100 mm B25.0B
T	EARTH
U	EXISTING PAVEMENT
W	WEDGING



PROJECT REFERENCE NO. R-2568B	SHEET NO. 2-C
ROADWAY DESIGN ENGINEER	



TYPICAL SECTION NO. 6

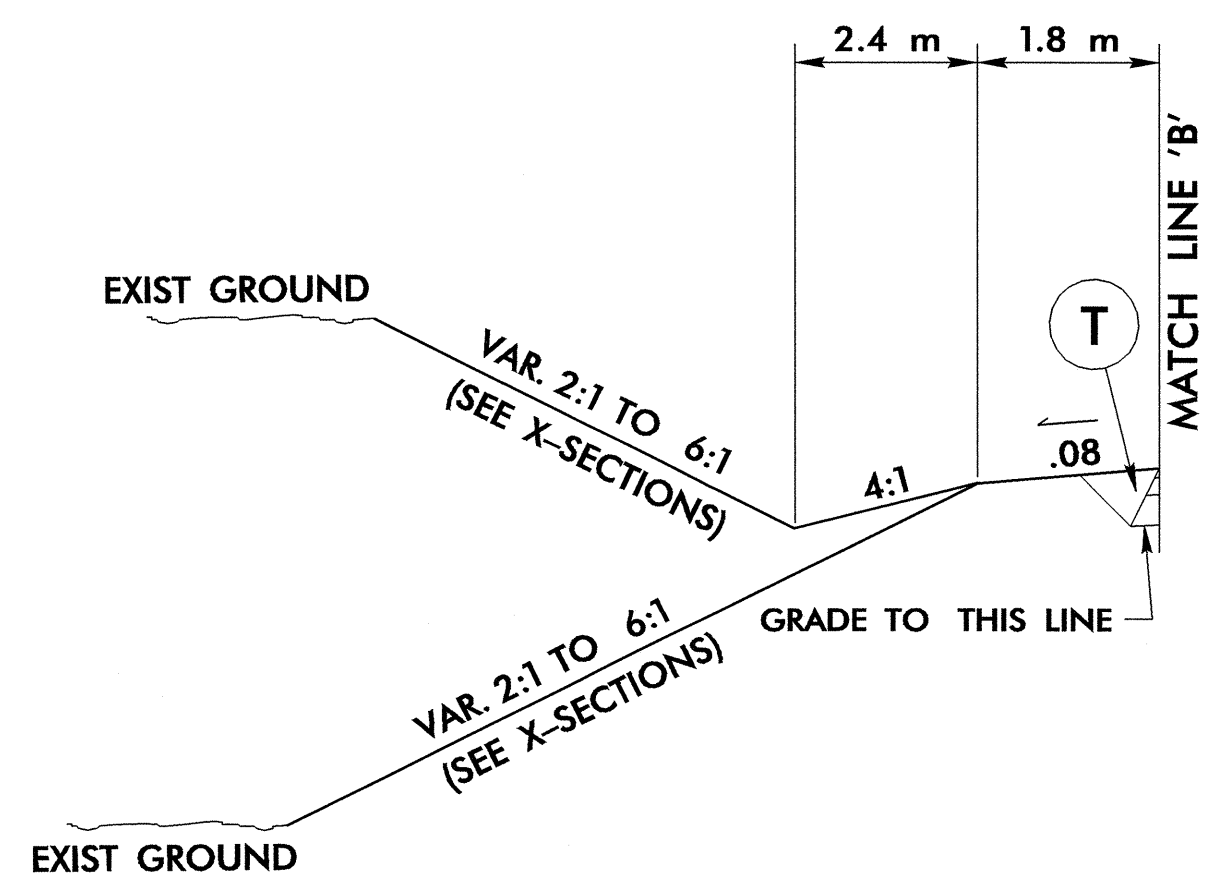
USE TYPICAL SECTION NO. 6

-Y11- STA. 10+60.000 TO -Y11- STA. 12+93.000

* -Y12- STA. 10+23.000 TO -Y12- STA. 11+40.000

TRANSITION FROM EXISTING TO T.S. NO. 6

-Y11- STA. 10+00.000 TO -Y11- STA. 10+60.000

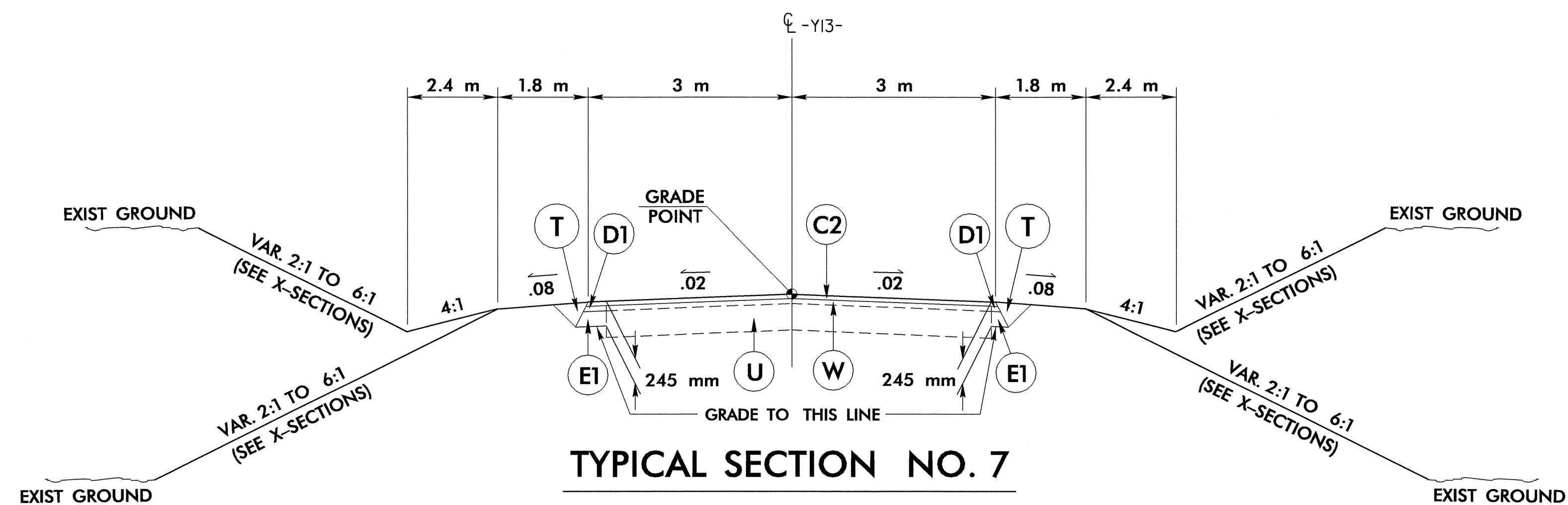


TYPICAL SECTION NO. 6A

USE TYPICAL SECTION NO. 6A

-Y11- STA. 10+20.000 LT. TO -Y11- STA. 10+79.500 LT.

-Y12- STA. 11+40.000 LT. TO -Y12- STA. 12+15.000 LT.



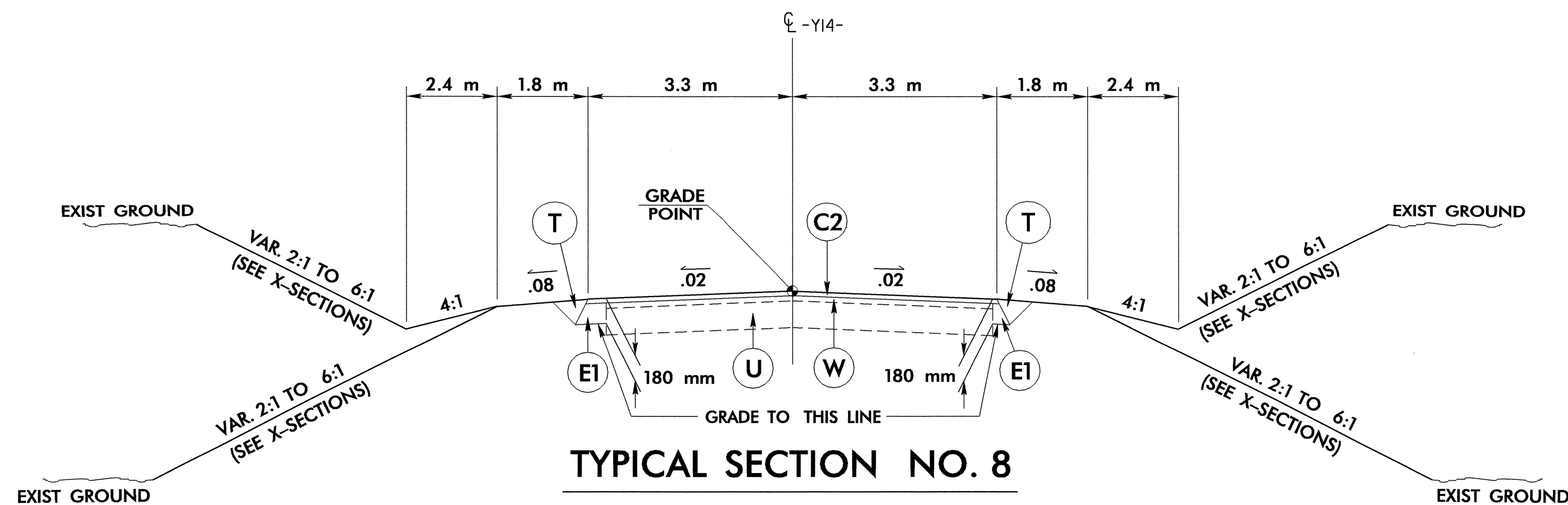
TYPICAL SECTION NO. 7

USE TYPICAL SECTION NO. 7

-Y13- STA. 10+80.000 TO -Y13- STA. 10+87.000

TRANSITION FROM EXISTING TO T.S. NO. 7

-Y13- STA. 10+60.000 TO -Y13- STA. 10+80.000



TYPICAL SECTION NO. 8

USE TYPICAL SECTION NO. 8

-Y14- STA. 10+33.000 TO -Y14- STA. 10+81.800