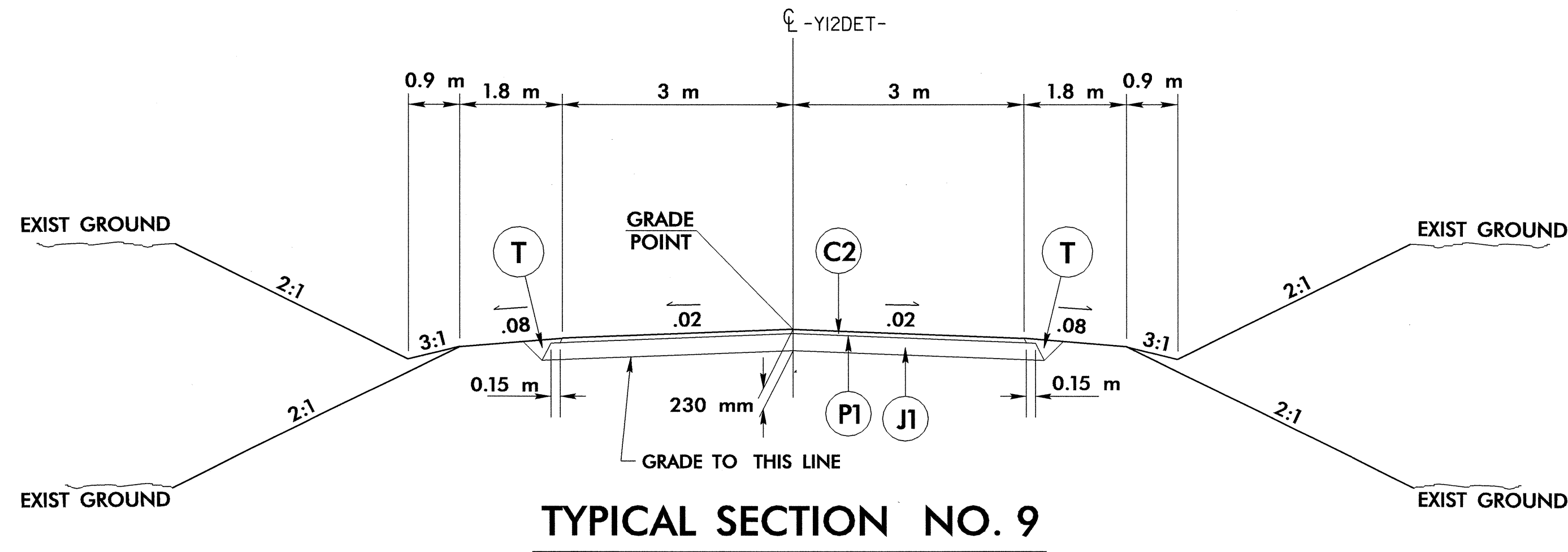


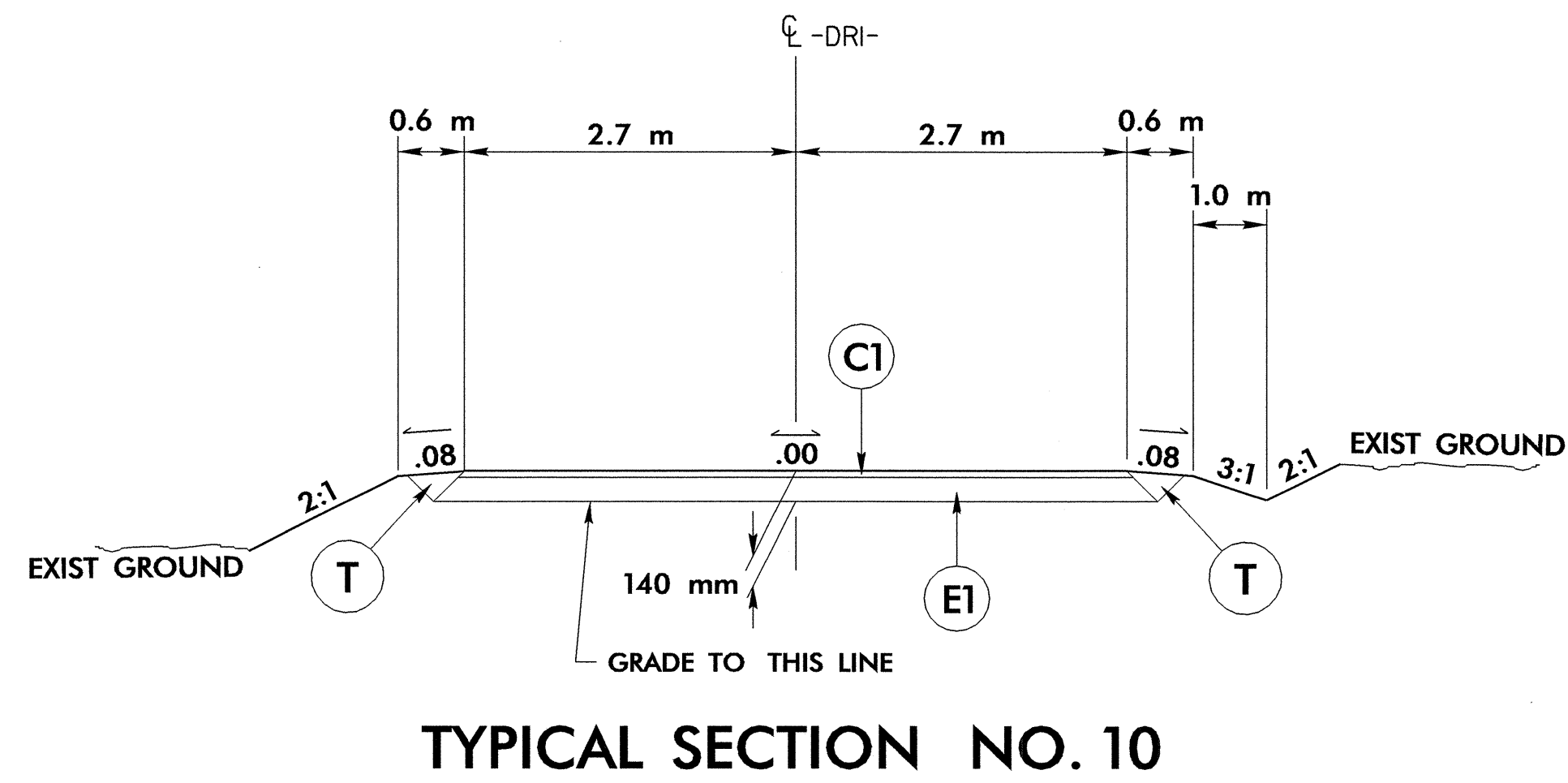
PAVEMENT SCHEDULE	
C1	40 mm S9.5B
C2	80 mm S9.5B
E1	100 mm B25.0B
J1	150 mm ABC
J2	200 mm ABC
P1	PRIME COAT @ 1.58 L
T	EARTH
U	EXISTING PAVEMENT
W	WEDGING



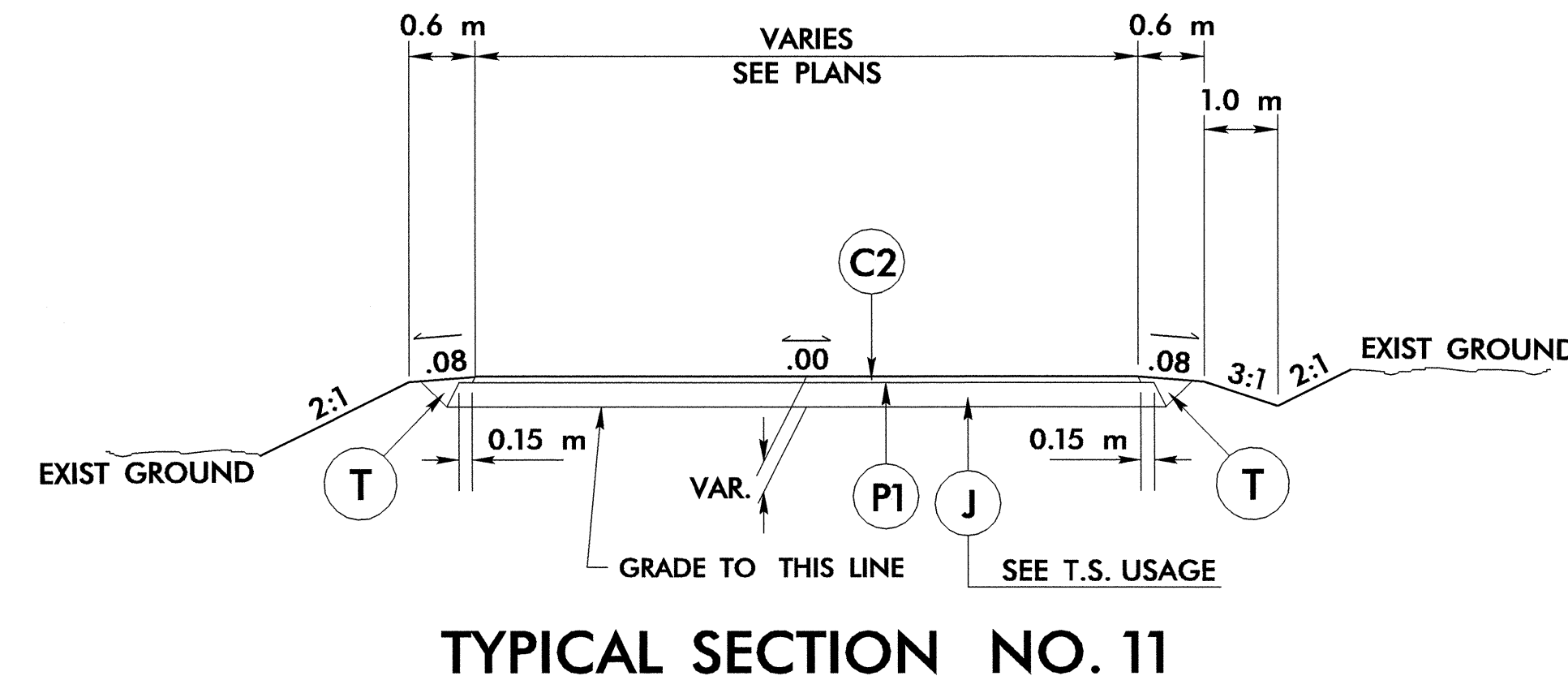
PROJECT REFERENCE NO. R-2568B	SHEET NO. 2-D
ROADWAY DESIGN ENGINEER	



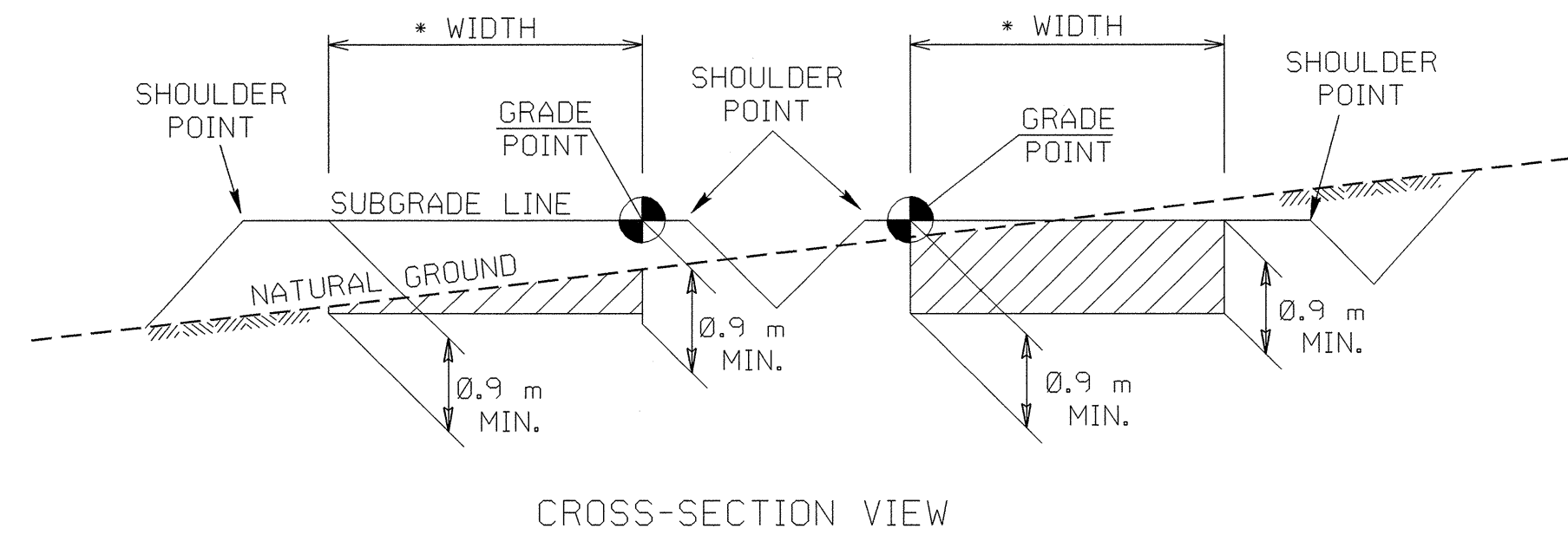
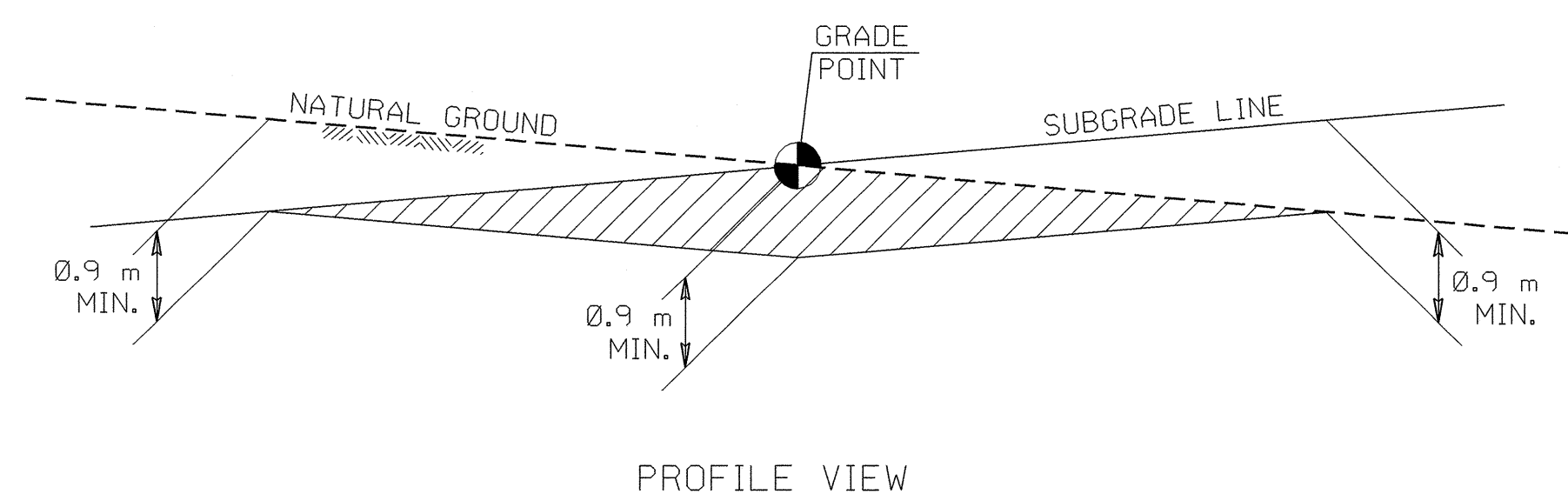
USE TYPICAL SECTION NO. 9  
 -Y12DET- STA. 10+16.252 TO -Y12DET- STA. 12+15.832  
 TRANSITION FROM T.S. NO. 9 TO EXISTING  
 -Y12DET- STA. 12+15.832 TO -Y12DET- STA. 12+45.860



USE TYPICAL SECTION NO. 10  
 -DR1- STA. 10+00.000 TO -DR1- STA. 11+54.812



USE TYPICAL SECTION NO. 11  
 ALL DRIVES 7% AND UNDER (J1)  
 ALL DRIVES OVER 7% (J2)



DEPTH AND LOCATION TO BE DETERMINED BY THE ENGINEER

\* WIDTH TO BE DETERMINED BY THE ENGINEER

**DETAIL OF GRADE POINT UNDERCUT**